



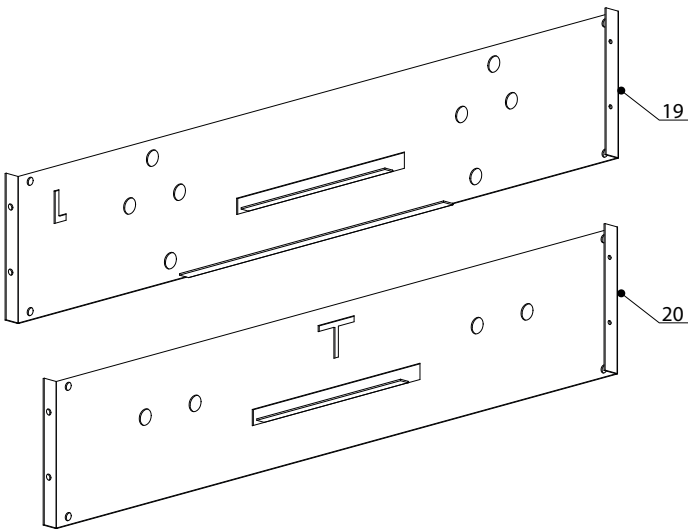
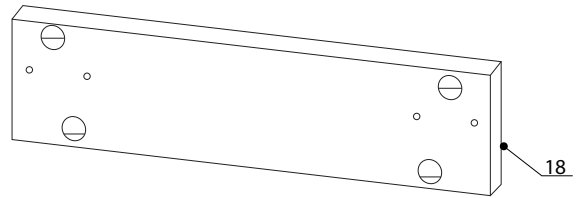
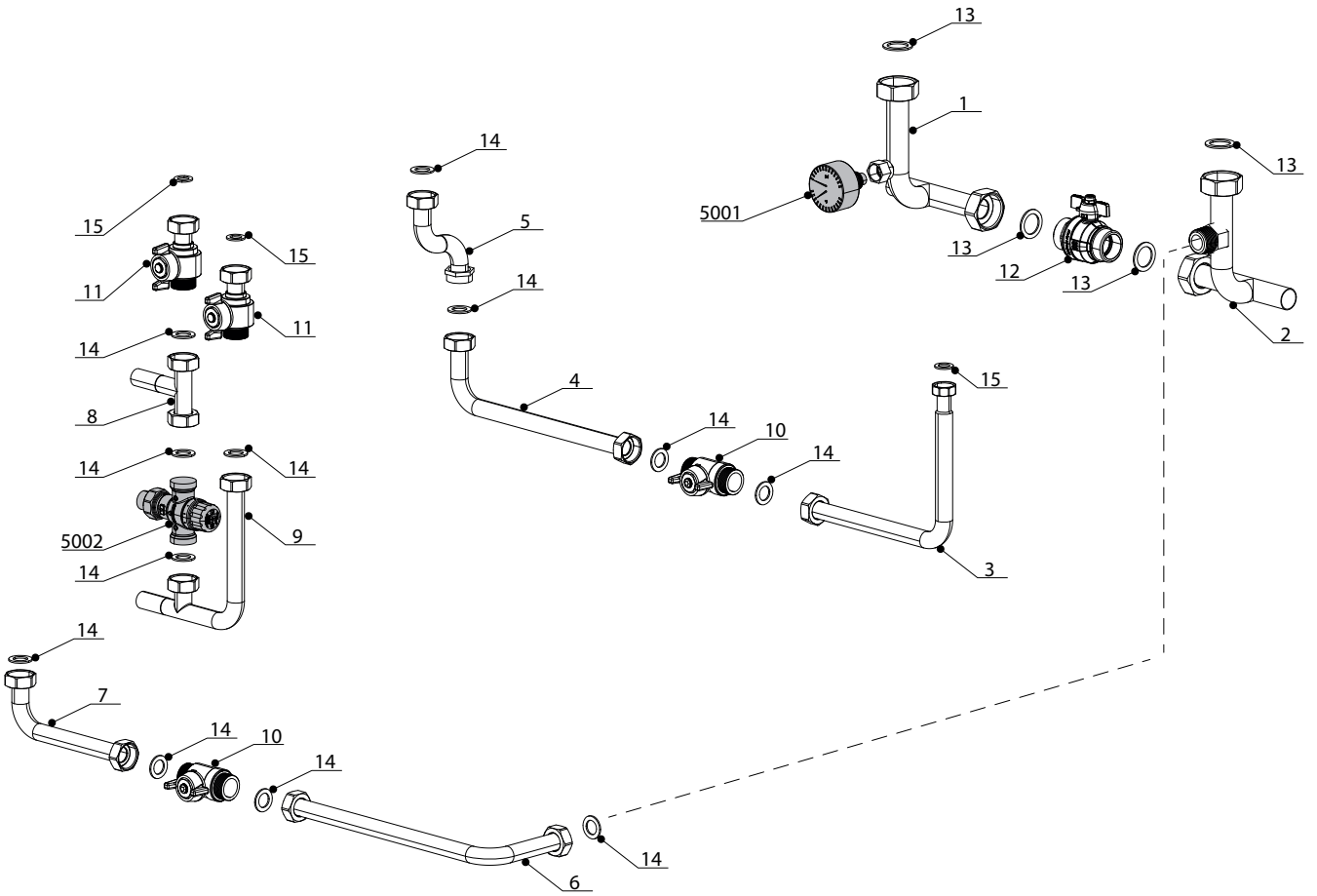
SPARE PARTS EXPLODED VIEW  
ACCESSORIES FOR HYDRAULIK  
Model  
**PLUS KIT - S20W TO TRX-FTVN PIPING KIT**

R8219093-03 - 02/09/2024

PLUS KIT

Accessories for hydraulik

1	3260173	PLUS KIT - S20W TO TRX/FTVN PIPING KIT	01-2023	-
Col	Reference	Model type	Begin	End





---

## IDENTIFICATION PLATE

### SERIAL NUMBER

16 Characters :

21 03 31 20 XX 153101  
Fixed reference      Month of manufacture      Day of manufacture      Sequential number      Year of manufacture

21 Characters :

3675007 XX 07 070 0000315  
Product reference      Year of manufacture      Sequential number      Manufacturing day