



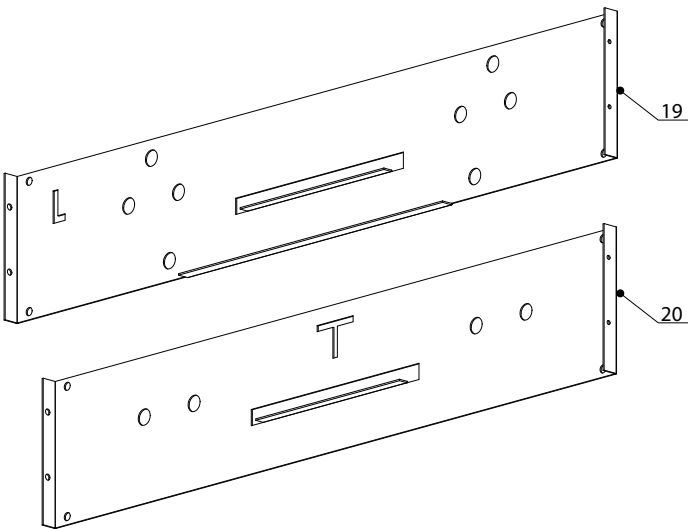
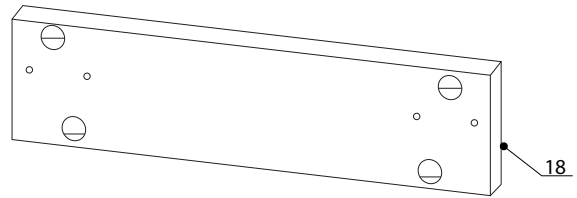
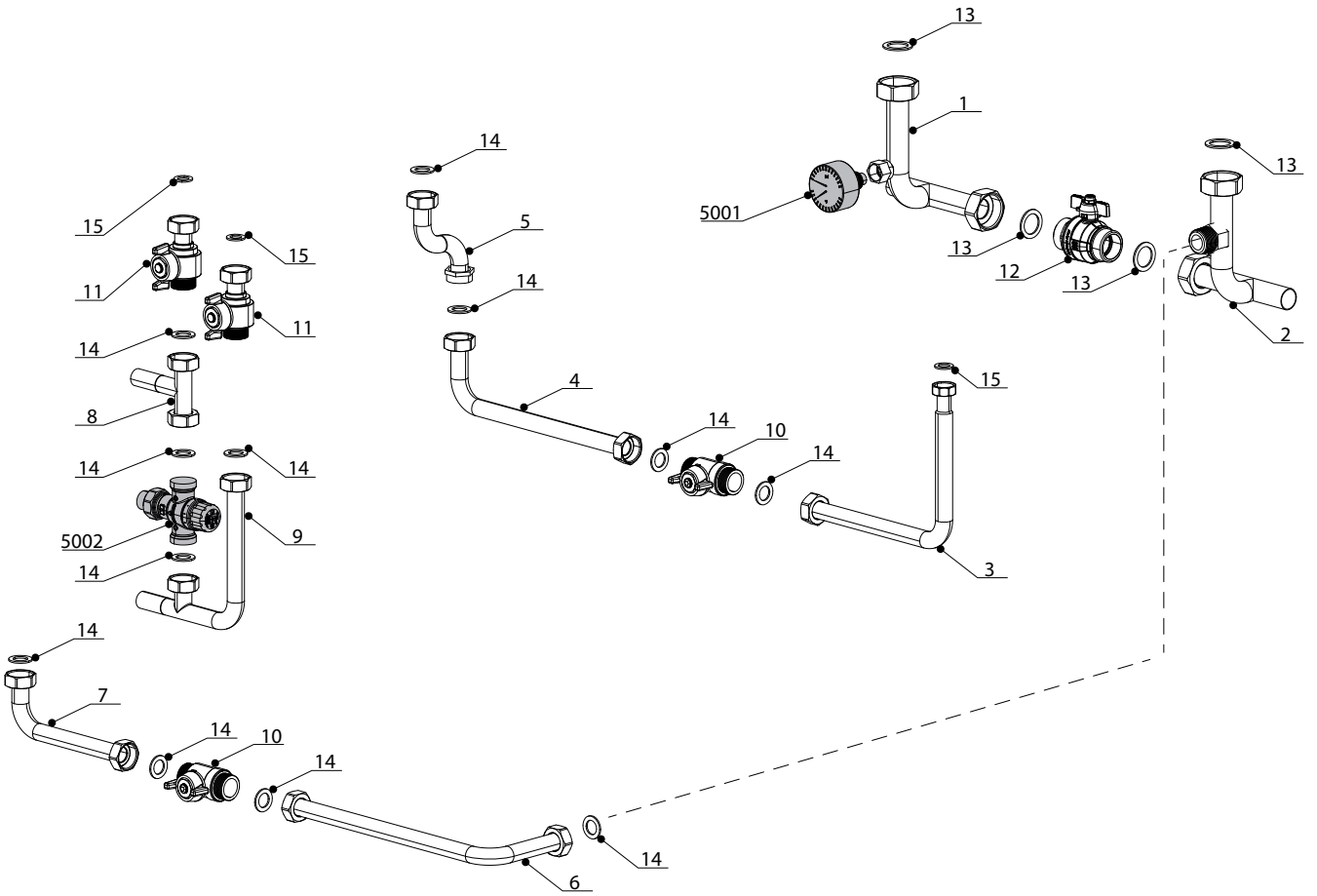
SPARE PARTS EXPLODED VIEW
ACCESSORIES FOR HYDRAULIK
Model
PLUS KIT - S20W TO TRX-FTVN PIPING KIT

R8219093-02 - 16/07/2024

PLUS KIT

Accessories for hydraulik

1	3260173	PLUS KIT - S20W TO TRX/FTVN PIPING KIT	01-2023	-
Col	Reference	Model type	Begin	End



☉➡	Description	Manf. Pt. N	Type	3280173																		31	
				1	2	3	4	5	6	7	8	9	10	11	12	13	14	15	16	17	18	From	to
0001	PRIMARY LOOP SUPPLY PIPE	64980720		•																			
0002	PRIMARY LOOP RETURN PIPE	64980721		•																			
0003	COIL SUPPLY PIPE, FROM BOILER	64980714		•																			
0004	COIL SUPPLY PIPE, INTERMEDIATE	64980715		•																			
0005	COIL SUPPLY PIPE, TO COIL	64980716		•																			
0006	COIL RETURN PIPE	64980713		•																			
0007	COIL RETURN PIPE, TO LOW LOSS HEADER	6000087322		•																			
0008	DHW PIPE (SMALL)	6000087319		•																			
0009	DHW PIPE (LARGE)	6000087320		•																			
0010	ISOLATION VALVE, 1" M BSPP	64980712		•																			
0011	ISOLATION VALVE, ¾" F - 1" M BSPP	64980711		•																			
0012	ISOLATION VALVE, 1 ¼" M BSPP	64980719		•																			
0013	GASKET 1-1/4 IN (REINZ AFM 34/2)	6500709600		•																			
0014	GASKET 1 in (AFM34/2 REINZ)	64980701		•																			
0015	GASKET ¾ INCH (AFM34/2 REINZ)	573520		•																			
0016	SCREW, ¼-14 X 3/8"	6000083970		•																			
0017	EXTENDED LOWER WALL BRACKET	64980717		•																			
0018	SPACER BRACKET	64980718		•																			
0019	B-BOILER INSTALLATION TEMPLATE	6500799900		•																			
0020	T-TANK (S20W) INSTALLATION TEMPLATE	6500799700		•																			
5000	OTHER COMPONENTS NOT INCLUDED																						
5001	PRESSURE/TEMPERATURE GAUGE	65118685		•																			
5002	MIX VALVE, 3-4" UNION, ASSE 1017 & 1070	6000087085		•																			

PLUS KIT

Accessories for hydraulik

IDENTIFICATION PLATE

SERIAL NUMBER

16 Characters :

21 03 31 20 XX 153101
Fixed reference Month of manufacture Day of manufacture Sequential number Year of manufacture

21 Characters :

3675007 XX 07 070 0000315
Product reference Year of manufacture Sequential number Manufacturing day