



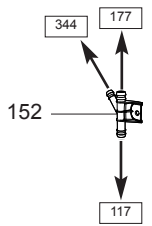
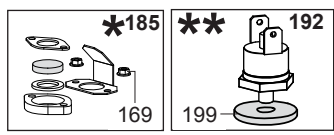
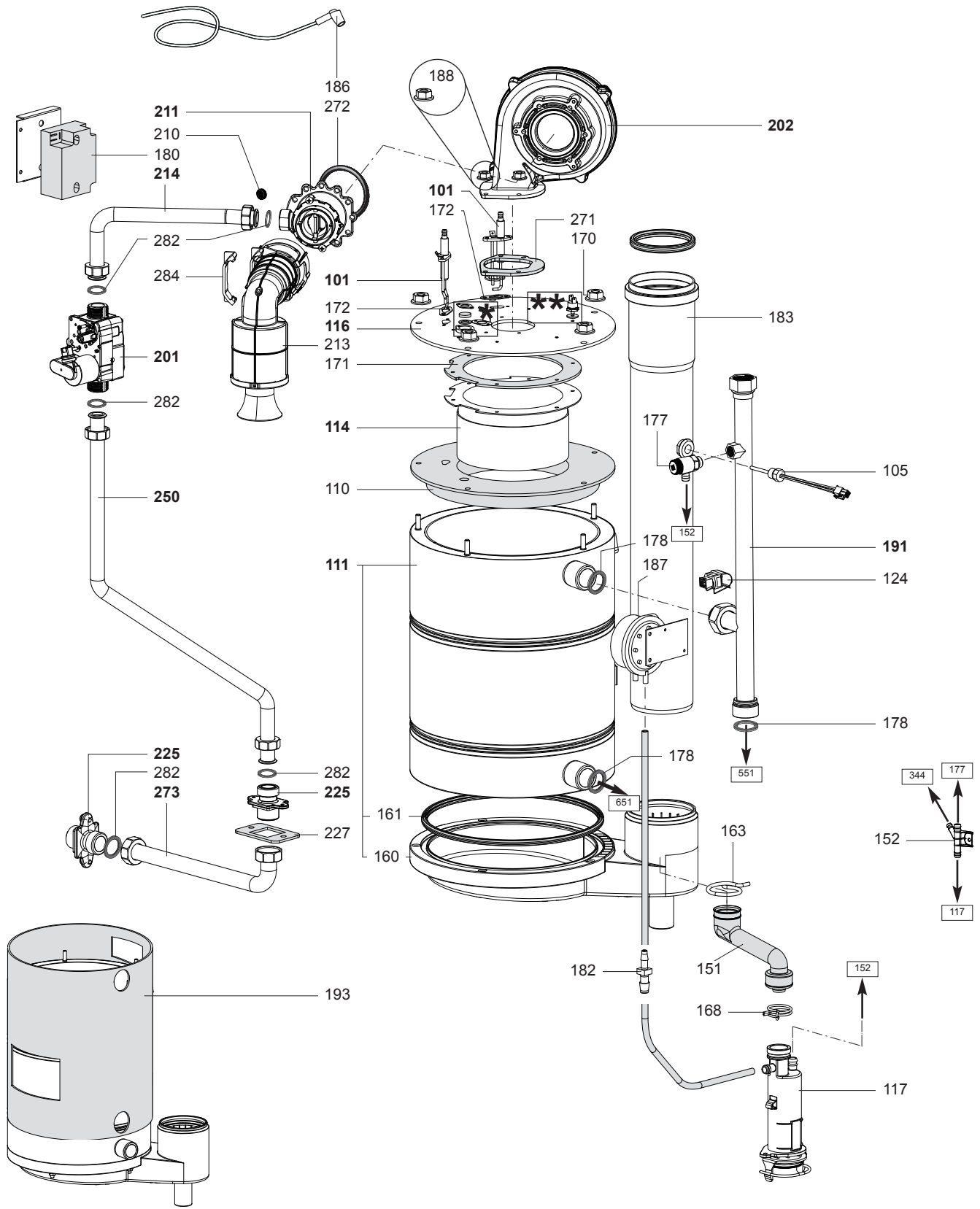
SPARE PARTS EXPLODED VIEW  
GAS-STANDING CONDENSING BOILER  
Model  
**NC085-199(C) COMPASS**

R8219272-02 - 14/10/2024

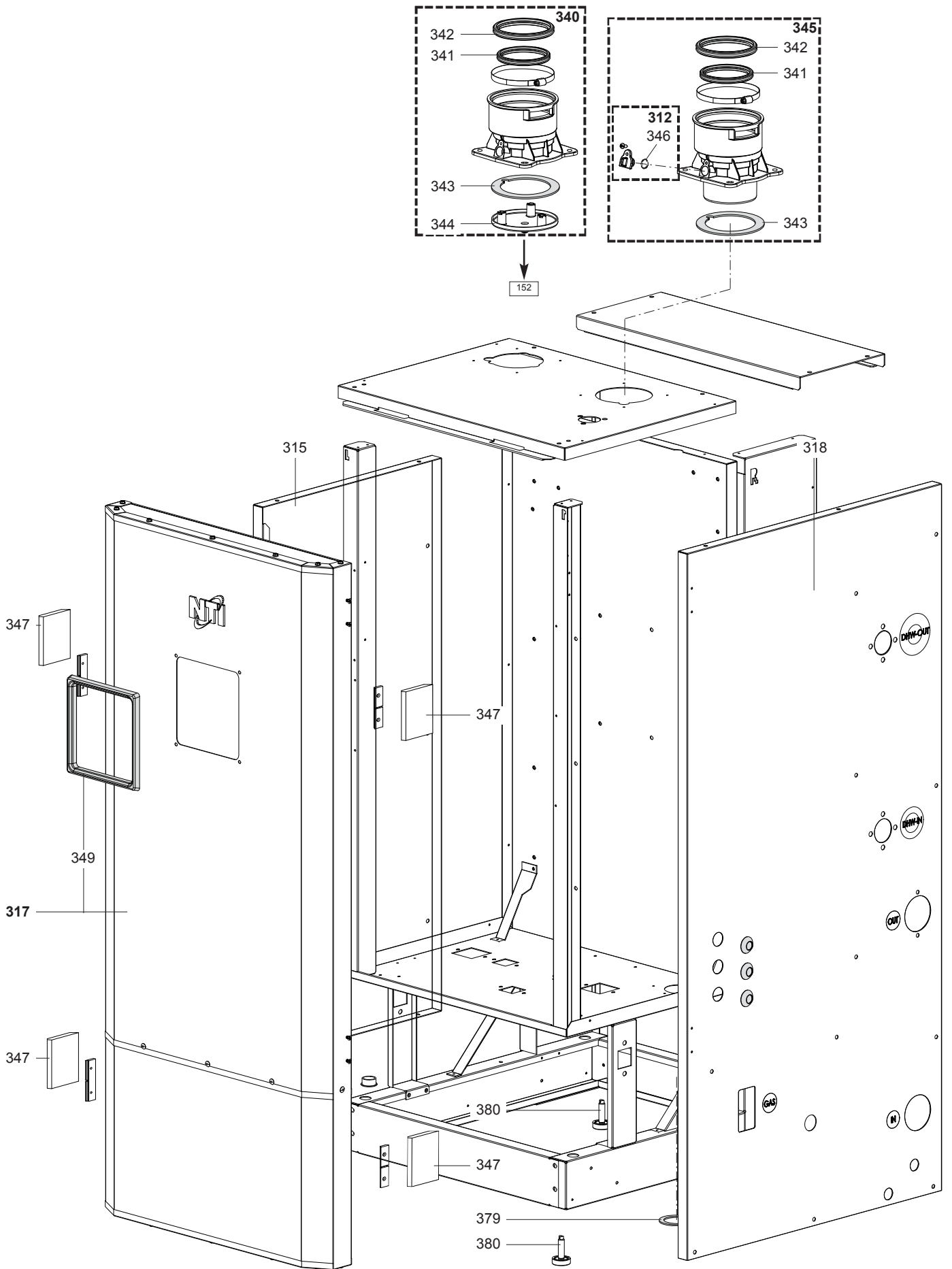
NC085-199(C) COMPASS

Gas-standing condensing boiler

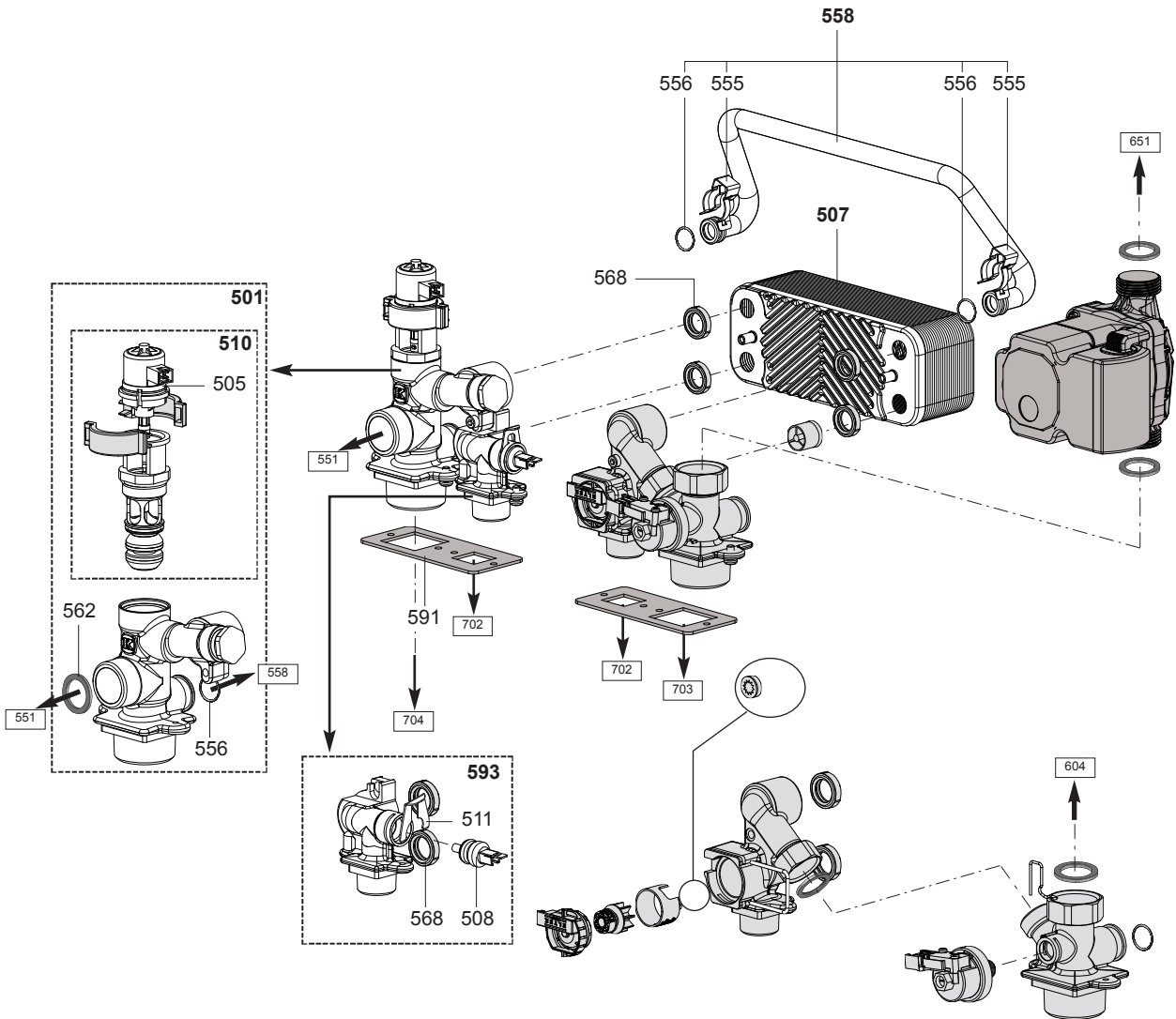
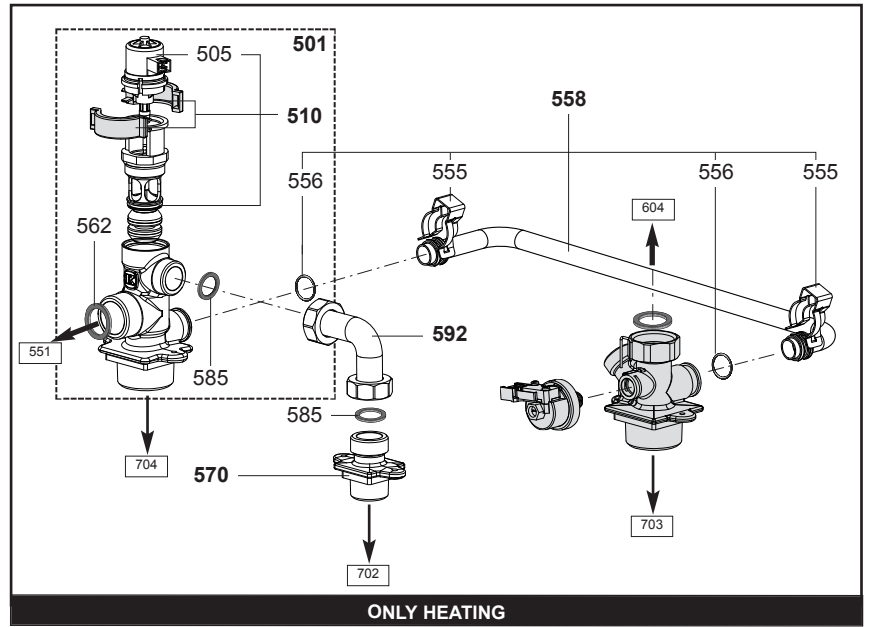
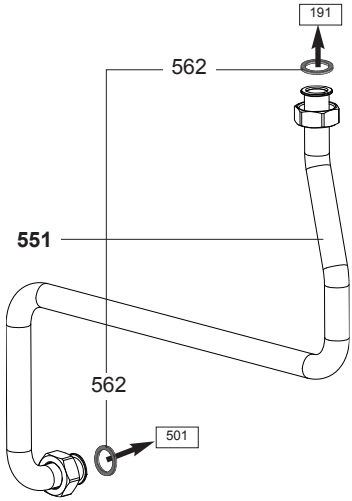
| 1   | 3260177   | NC085 NTI COMPASS FIRE TUBE BOILER  | 04-2024 | -   |
|-----|-----------|-------------------------------------|---------|-----|
| 2   | 3260178   | NC110 NTI COMPASS FIRE TUBE BOILER  | 04-2024 | -   |
| 3   | 3260179   | NC110C NTI COMPASS FIRE TUBE BOILER | 04-2024 | -   |
| 4   | 3260180   | NC150 NTI COMPASS FIRE TUBE BOILER  | 04-2024 | -   |
| 5   | 3260181   | NC150C NTI COMPASS FIRE TUBE BOILER | 04-2024 | -   |
| 6   | 3260182   | NC199 NTI COMPASS FIRE TUBE BOILER  | 04-2024 | -   |
| 7   | 3260183   | NC199C NTI COMPASS FIRE TUBE BOILER | 04-2024 | -   |
| Col | Reference | Model type                          | Begin   | End |



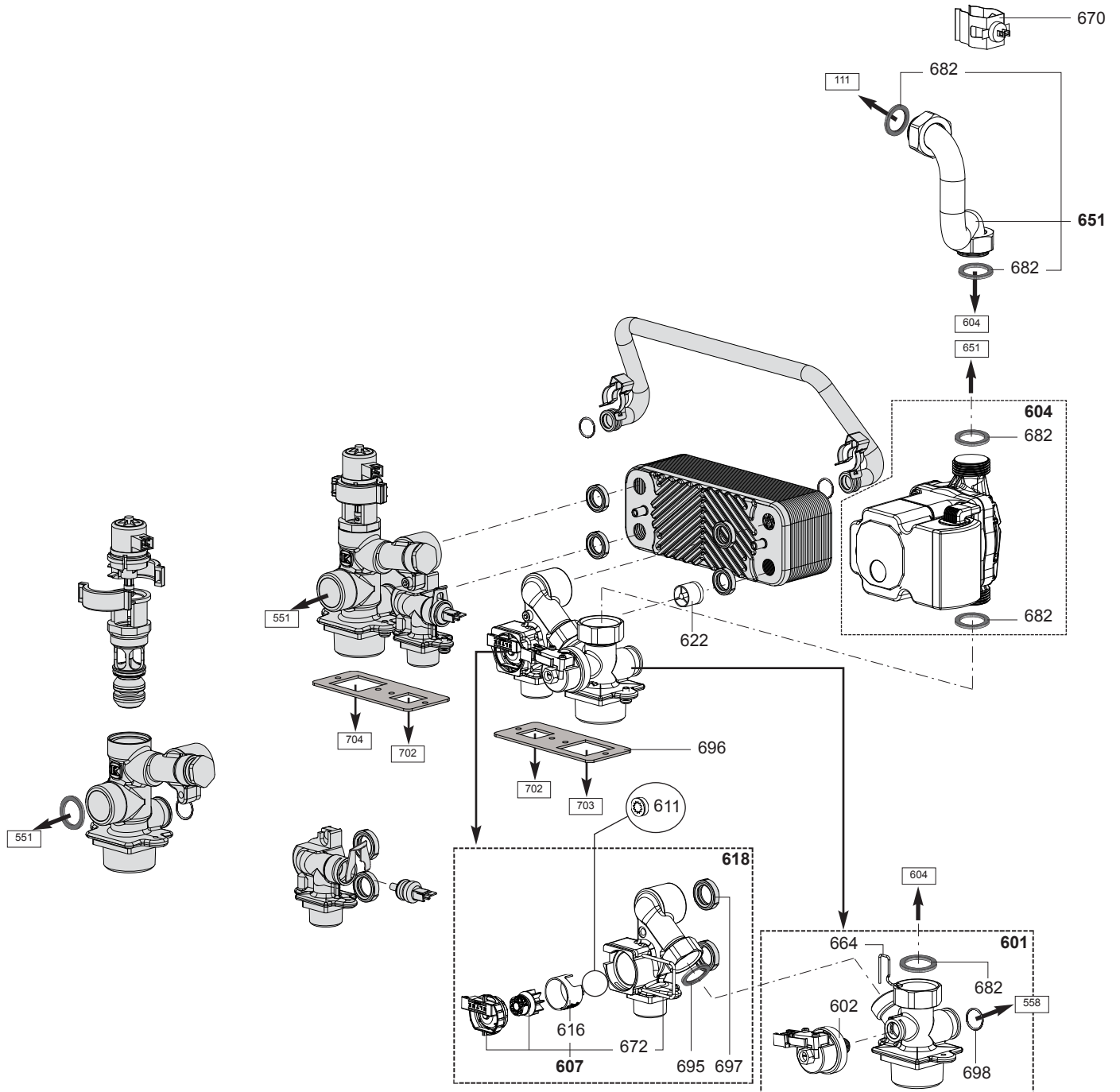
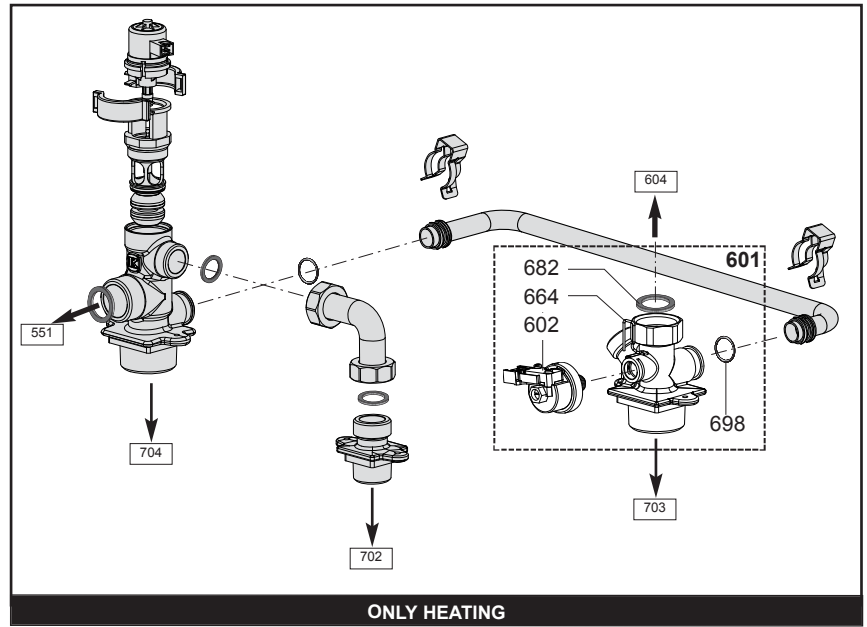
| ☉⇒   | Description                              | Manf. Pt. N | Type | <div style="border: 1px solid black; padding: 5px; transform: rotate(-15deg); display: inline-block;">           NC085 COMPASS<br/>           NC110 COMPASS<br/>           NC110(C) COMPASS<br/>           NC180 COMPASS<br/>           NC150(C) COMPASS<br/>           NC199 COMPASS<br/>           NC199(C) COMPASS         </div> |   |   |   |   |   |   |   |   |    |    |    |    |    |    |    |    |    | From | to |
|------|--|-------------|------|--|---|---|---|---|---|---|---|---|----|----|----|----|----|----|----|----|----|------|----|
|      |  |             |      | 1  | 2 | 3 | 4 | 5 | 6 | 7 | 8 | 9 | 10 | 11 | 12 | 13 | 14 | 15 | 16 | 17 | 18 |      |    |
| 0100 | <b>EXCHANGER BLOCK</b>                   |             |      |  |   |   |   |   |   |   |   |   |    |    |    |    |    |    |    |    |    |      |    |
| 0101 | IGNITION ELECTRODE                       | 6500645000  |      | •  | • | • | • | • | • | • | • | • | •  | •  | •  | •  | •  | •  | •  |    |    |      |    |
| 0105 | NTC FLUE SENSOR 4X45 1/4 10K3 SS         | 64980174    |      | •  | • | • | • | • | • | • | • | • | •  | •  | •  | •  | •  | •  | •  |    |    |      |    |
| 0110 | INSULATION (BURNER DOOR DISC-VC30)       | 64980168    |      | •  | • | • |   |   |   |   |   |   |    |    |    |    |    |    |    |    |    |      |    |
|      | INSULATION (BURNER DOOR DISC-VC45)       | 64980169    |      |  |   |   |   |   |   |   |   |   |    |    |    |    |    |    |    |    |    |      |    |
|      | INSULATION (BURNER DOOR DISC-VC60)       | 64980170    |      |  |   |   |   |   |   |   |   |   |    |    |    |    |    |    |    |    |    |      |    |
| 0111 | HEAT EXCHANGER VC30 AIC                  | 64980160    |      | •  | • | • |   |   |   |   |   |   |    |    |    |    |    |    |    |    |    |      |    |
|      | HEAT EXCHANGER VC45 AIC                  | 64980161    |      |  |   |   |   |   |   |   |   |   |    |    |    |    |    |    |    |    |    |      |    |
|      | HEAT EXCHANGER VC60 AIC                  | 64980162    |      |  |   |   |   |   |   |   |   |   |    |    |    |    |    |    |    |    |    |      |    |
| 0114 | BURNER VC30                              | 64980158    |      | •  | • | • |   |   |   |   |   |   |    |    |    |    |    |    |    |    |    |      |    |
|      | BURNER VC45/VC60                         | 64980159    |      |  |   |   |   |   |   |   |   |   |    |    |    |    |    |    |    |    |    |      |    |
| 0116 | BURNER TOP PLATE                         | 64980461    |      | •  | • | • |   |   |   |   |   |   |    |    |    |    |    |    |    |    |    |      |    |
|      | BURNER TOP PLATE                         | 64980462    |      |  |   |   |   |   |   |   |   |   |    |    |    |    |    |    |    |    |    |      |    |
|      | BURNER TOP PLATE                         | 64980463    |      |  |   |   |   |   |   |   |   |   |    |    |    |    |    |    |    |    |    |      |    |
| 0117 | CONDENSATE TRAP                          | 6500772400  |      | •  | • | • | • | • | • | • | • | • | •  | •  | •  | •  | •  | •  | •  |    |    |      |    |
| 0124 | TEMPERATURE PROBE + CLIP                 | 990686-01   |      | •  | • | • | • | • | • | • | • | • | •  | •  | •  | •  | •  | •  | •  |    |    |      |    |
| 0151 | CONDENSATE DRAIN PIPE                    | 64980178    |      | •  | • | • | • | • | • | • | • | • | •  | •  | •  | •  | •  | •  | •  |    |    |      |    |
| 0152 | COUPLING Y HOSE CONNECTOR                | 64980263    |      | •  | • | • | • | • | • | • | • | • | •  | •  | •  | •  | •  | •  | •  |    |    |      |    |
| 0160 | CONDENSATE DISH ONLY VC30                | 64980675    |      | •  | • | • |   |   |   |   |   |   |    |    |    |    |    |    |    |    |    |      |    |
|      | CONDENSATE DISH ONLY VC45                | 6000086929  |      |  |   |   |   |   |   |   |   |   |    |    |    |    |    |    |    |    |    |      |    |
|      | CONDENSATE DISH ONLY VC60                | 6000086930  |      |  |   |   |   |   |   |   |   |   |    |    |    |    |    |    |    |    |    |      |    |
| 0161 | GASKET (CONDENSATE DISH)                 | 6000086932  |      |  |   |   |   |   |   |   |   |   |    |    |    |    |    |    |    |    |    |      |    |
|      | GASKET (CONDENSATE DISH)                 | 6000086933  |      |  |   |   |   |   |   |   |   |   |    |    |    |    |    |    |    |    |    |      |    |
|      | GASKET (VC30 CONDENSATE DISH)            | 64980677    |      | •  | • | • |   |   |   |   |   |   |    |    |    |    |    |    |    |    |    |      |    |
| 0163 | CLAMP                                    | 64980243    |      | •  | • | • | • | • | • | • | • | • | •  | •  | •  | •  | •  | •  | •  |    |    |      |    |
| 0168 | HOSE CLAMP                               | 60000533    |      | •  | • | • | • | • | • | • | • | • | •  | •  | •  | •  | •  | •  | •  |    |    |      |    |
| 0169 | NUT, SERRATED FLANGE M3                  | 64980242    |      | •  | • | • | • | • | • | • | • | • | •  | •  | •  | •  | •  | •  | •  |    |    |      |    |
| 0170 | NUT, SERRATED FLANGE M6                  | 64980246    |      | •  | • | • | • | • | • | • | • | • | •  | •  | •  | •  | •  | •  | •  |    |    |      |    |
| 0171 | GASKET (BURNER-VC30)                     | 64980166    |      | •  | • | • |   |   |   |   |   |   |    |    |    |    |    |    |    |    |    |      |    |
|      | GASKET (BURNER-VC45/VC60)                | 64980167    |      |  |   |   |   |   |   |   |   |   |    |    |    |    |    |    |    |    |    |      |    |
| 0172 | GASKET (ELECTRODE)                       | 64980223    |      | •  | • | • | • | • | • | • | • | • | •  | •  | •  | •  | •  | •  | •  |    |    |      |    |
| 0177 | AIR VENT                                 | 64980150    |      | •  | • | • | • | • | • | • | • | • | •  | •  | •  | •  | •  | •  | •  |    |    |      |    |
| 0178 | GASKET 1 in ( AFM34/2 REINZ)             | 64980701    |      | •  | • | • | • | • | • | • | • | • | •  | •  | •  | •  | •  | •  | •  |    |    |      |    |
| 0180 | SPARK GENERATOR                          | 65119323    |      | •  | • | • | • | • | • | • | • | • | •  | •  | •  | •  | •  | •  | •  |    |    |      |    |
| 0182 | CONNECTOR TUBING 3/8 in x 1/4 in, barbed | 64980244    |      | •  | • | • | • | • | • | • | • | • | •  | •  | •  | •  | •  | •  | •  |    |    |      |    |
| 0183 | FLUE PIPE (POLYPROPYLENE)                | 64980173    |      | •  | • | • | • | • | • | • | • | • | •  | •  | •  | •  | •  | •  | •  |    |    |      |    |
| 0185 | SIGHT GLASS (COMPLETE)                   | 64980222    |      | •  | • | • | • | • | • | • | • | • | •  | •  | •  | •  | •  | •  | •  |    |    |      |    |
| 0186 | CABLE (IGNITION ELECTRODE)               | 64980171    |      | •  | • | • | • | • | • | • | • | • | •  | •  | •  | •  | •  | •  | •  |    |    |      |    |
| 0187 | AIR PRESSURE SWITCH                      | 65118678    |      | •  | • | • | • | • | • | • | • | • | •  | •  | •  | •  | •  | •  | •  |    |    |      |    |
| 0188 | NUT, SERRATED FLANGE M5-08               | 64980241    |      | •  | • | • | • | • | • | • | • | • | •  | •  | •  | •  | •  | •  | •  |    |    |      |    |
| 0191 | PIPE (MANIFOLD)                          | 64980154    |      | •  | • | • | • | • | • | • | • | • | •  | •  | •  | •  | •  | •  | •  |    |    |      |    |
| 0192 | PLUG (THERMAL SWITCH HOLE)               | 64980687    |      | •  | • | • | • | • | • | • | • | • | •  | •  | •  | •  | •  | •  | •  |    |    |      |    |
| 0193 | INSULATION (HEAT EXCHANGER)              | 6500846600  |      | •  | • | • |   |   |   |   |   |   |    |    |    |    |    |    |    |    |    |      |    |
|      | INSULATION (HEAT EXCHANGER)              | 6500846700  |      |  |   |   |   |   |   |   |   |   |    |    |    |    |    |    |    |    |    |      |    |
|      | INSULATION (HEAT EXCHANGER)              | 6500846800  |      |  |   |   |   |   |   |   |   |   |    |    |    |    |    |    |    |    |    |      |    |
| 0199 | GASKET, THERMAL SWITCH TO TOP PLATE      | 64980507    |      | •  | • | • | • | • | • | • | • | • | •  | •  | •  | •  | •  | •  | •  |    |    |      |    |
| 0200 | <b>GAS SECTION</b>                       |             |      |  |   |   |   |   |   |   |   |   |    |    |    |    |    |    |    |    |    |      |    |
| 0201 | GAS VALVE, HONEYWELL KV4205              | 65118645    |      | •  | • | • | • | • | • | • | • | • | •  | •  | •  | •  | •  | •  | •  |    |    |      |    |
| 0202 | VENTILATOR                               | 64980119    |      |  |   |   |   |   |   |   |   |   |    |    |    |    |    |    |    |    |    |      |    |
|      | VENTILATOR                               | 64980120    |      | •  | • | • | • | • | • | • | • | • | •  | •  | •  | •  | •  | •  | •  |    |    |      |    |
| 0210 | GAS DIAPHRAGM D: 6.40 (LP)               | 60001923    |      | •  | • | • | • | • | • | • | • | • | •  | •  | •  | •  | •  | •  | •  |    |    |      |    |
|      | GAS DIAPHRAGM D: 6.90                    | 60001924    |      |  |   |   |   |   |   |   |   |   |    |    |    |    |    |    |    |    |    |      |    |
|      | GAS DIAPHRAGM D: 8.5 (NG)                | 65118713    |      |  |   |   |   |   |   |   |   |   |    |    |    |    |    |    |    |    |    |      |    |
| 0211 | MIXER 085-110 LP FT                      | 64980100    |      | •  | • | • |   |   |   |   |   |   |    |    |    |    |    |    |    |    |    |      |    |
|      | MIXER 150-150C LP FT                     | 64980102    |      |  |   |   |   |   |   |   |   |   |    |    |    |    |    |    |    |    |    |      |    |
|      | MIXER 199-199C LP FT                     | 64980104    |      |  |   |   |   |   |   |   |   |   |    |    |    |    |    |    |    |    |    |      |    |
|      | MIXER, 085-110-110C NG FT                | 64980124    |      | •  | • | • |   |   |   |   |   |   |    |    |    |    |    |    |    |    |    |      |    |
|      | MIXER, 150-150C NG FT                    | 64980125    |      |  |   |   |   |   |   |   |   |   |    |    |    |    |    |    |    |    |    |      |    |
|      | MIXER, 199-199C NG FT                    | 64980126    |      |  |   |   |   |   |   |   |   |   |    |    |    |    |    |    |    |    |    |      |    |
| 0213 | SILENCER                                 | 64980127    |      | •  | • | • | • | • | • | • | • | • | •  | •  | •  | •  | •  | •  | •  |    |    |      |    |
| 0214 | PIPE (GAS OUTLET) GV to mixer            | 6500711500  |      | •  | • | • |   |   |   |   |   |   |    |    |    |    |    |    |    |    |    |      |    |
|      | PIPE (GAS VALVE-MIXER) stainless         | 64980664    |      |  |   |   |   |   |   |   |   |   |    |    |    |    |    |    |    |    |    |      |    |
|      | PIPE (GAS VALVE-MIXER) stainless         | 64980680    |      |  |   |   |   |   |   |   |   |   |    |    |    |    |    |    |    |    |    |      |    |
| 0225 | ADAPTER, BRASS, M3-4NPTXM3-4G            | 6000086776  |      | •  | • | • | • | • | • | • | • | • | •  | •  | •  | •  | •  | •  | •  |    |    |      |    |
| 0227 | GASKET (GAS ADAPTER)                     | 64980217    |      | •  | • | • | • | • | • | • | • | • | •  | •  | •  | •  | •  | •  | •  |    |    |      |    |
| 0250 | PIPE (GAS INLET) stainless               | 64980442    |      | •  | • | • | • | • | • | • | • | • | •  | •  | •  | •  | •  | •  | •  |    |    |      |    |
| 0271 | GASKET (BLOWER)                          | 64980678    |      |  |   |   |   |   |   |   |   |   |    |    |    |    |    |    |    |    |    |      |    |
|      | GASKET (VENTILATOR)                      | 64980699    |      | •  | • | • | • | • | • | • | • | • | •  | •  | •  | •  | •  | •  | •  |    |    |      |    |
| 0272 | O-RING 165 NBR 70 Sh 61.91x3,53          | 60001878    |      | •  | • | • | • | • | • | • | • | • | •  | •  | •  | •  | •  | •  | •  |    |    |      |    |
| 0273 | PIPE (GAS)                               | 6500706500  |      | •  | • | • | • | • | • | • | • | • | •  | •  | •  | •  | •  | •  | •  |    |    |      |    |
| 0282 | GASKET 3/4 in th. 3 NBR TEFLON-YELLOW    | 64980284    |      | •  | • | • | • | • | • | • | • | • | •  | •  | •  | •  | •  | •  | •  |    |    |      |    |
| 0284 | SILENCER SPACER                          | 6000086861  |      | •  | • | • | • | • | • | • | • | • | •  | •  | •  | •  | •  | •  | •  |    |    |      |    |









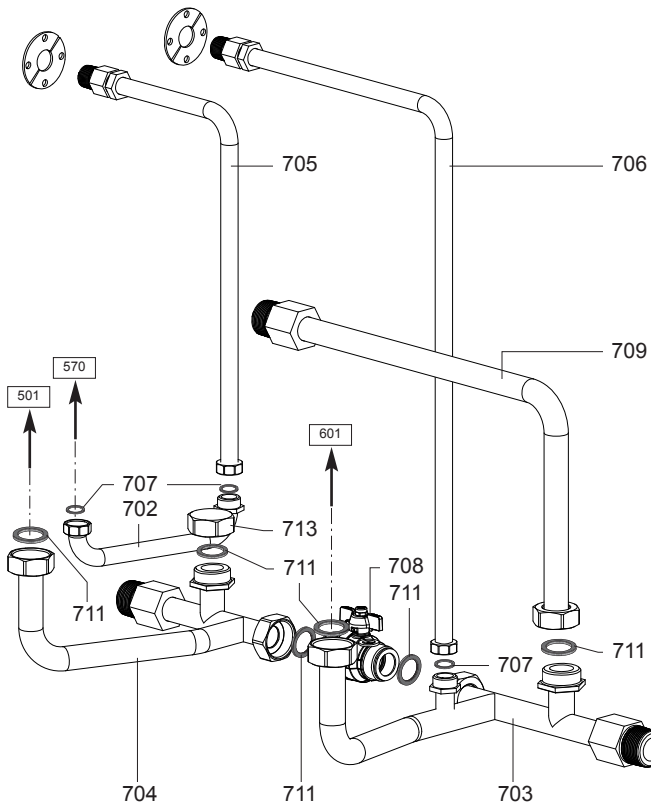




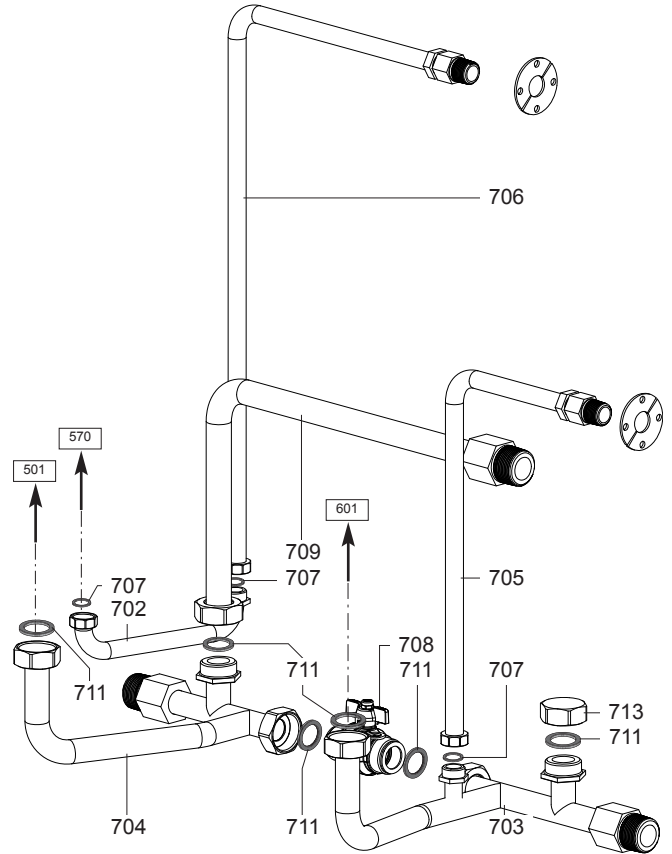
| ☉→          | Description                       | Manf. Pt. N | Type | <div style="display: flex; justify-content: space-between; font-size: 8px; text-align: center;"> <div style="width: 100%; transform: rotate(-45deg);">           NC085 COMPASS<br/>           NC110 COMPASS<br/>           NC110(C) COMPASS<br/>           NC180 COMPASS<br/>           NC150(C) COMPASS<br/>           NC199 COMPASS<br/>           NC199(C) COMPASS         </div> <div style="border: 1px solid black; padding: 2px; display: inline-block;">31</div> </div> |   |   |   |   |   |   |   |   |    |    |    |    |    |    |    |    |    | From | to |   |
|-------------|-----------------------------------|-------------|------|---|---|---|---|---|---|---|---|---|----|----|----|----|----|----|----|----|----|------|----|---|
|             |                                   |             |      | 1   | 2 | 3 | 4 | 5 | 6 | 7 | 8 | 9 | 10 | 11 | 12 | 13 | 14 | 15 | 16 | 17 | 18 |      |    |   |
| <b>0600</b> | <b>RETURN GROUP</b>               |             |      |   |   |   |   |   |   |   |   |   |    |    |    |    |    |    |    |    |    |      |    |   |
| 0601        | GROUP (PUMP)                      | 6500682300  |      | ●   | ● |   | ● |   | ● |   |   |   |    |    |    |    |    |    |    |    |    |      |    |   |
|             | GROUP (PUMP-COMBI)                | 64980221    |      |   |   |   |   | ● |   |   | ● |   |    |    |    |    |    |    |    |    |    |      |    |   |
| 0602        | PRESSURE SWITCH (PROPORTIONAL)    | 65115793    |      | ●   | ● | ● | ● | ● | ● | ● | ● | ● | ●  | ●  | ●  | ●  | ●  | ●  | ●  | ●  | ●  | ●    | ●  | ● |
| 0604        | PUMP ES2 3VK 63-7C-C US VER STEP2 | 6500706000  |      | ●   | ● | ● | ● | ● | ● | ● | ● | ● | ●  | ●  | ●  | ●  | ●  | ●  | ●  | ●  | ●  | ●    | ●  | ● |
| 0607        | FLOW METER                        | 64980195    |      |   |   |   | ● |   |   | ● |   |   | ●  |    |    |    |    |    |    |    |    |      |    |   |
| 0611        | DHW FLOW RESTRICTORS (KIT)        | 64980196    |      |   |   |   |   |   |   | ● |   |   | ●  |    |    |    |    |    |    |    |    |      |    |   |
| 0616        | DHW FILTER                        | 64980266    |      |   |   |   |   |   |   | ● |   |   | ●  |    |    |    |    |    |    |    |    |      |    |   |
| 0618        | GROUP (COLD WATER INLET)          | 64980220    |      |   |   |   |   | ● |   |   |   |   | ●  |    |    |    |    |    |    |    |    |      |    |   |
| 0622        | BY-PASS                           | 64980204    |      | ●   | ● | ● | ● | ● | ● | ● | ● | ● | ●  | ●  | ●  | ●  | ●  | ●  | ●  | ●  | ●  | ●    | ●  | ● |
| 0651        | PIPE (C.H. RETURN)                | 64980155    |      | ●   | ● | ● | ● | ● | ● | ● | ● | ● | ●  | ●  | ●  | ●  | ●  | ●  | ●  | ●  | ●  | ●    | ●  | ● |
| 0664        | CLIP                              | 65104322    |      | ●   | ● | ● | ● | ● | ● | ● | ● | ● | ●  | ●  | ●  | ●  | ●  | ●  | ●  | ●  | ●  | ●    | ●  | ● |
| 0670        | TEMPERATURE PROBE + CLIP          | 990686-01   |      | ●   | ● | ● | ● | ● | ● | ● | ● | ● | ●  | ●  | ●  | ●  | ●  | ●  | ●  | ●  | ●  | ●    | ●  | ● |
| 0672        | CLIP (FLOW METER)                 | 64980200    |      |   |   |   |   | ● |   |   |   |   | ●  |    |    |    |    |    |    |    |    |      |    |   |
| 0682        | GASKET 1 in ( AFM34/2 REINZ)      | 64980701    |      | ●   | ● | ● | ● | ● | ● | ● | ● | ● | ●  | ●  | ●  | ●  | ●  | ●  | ●  | ●  | ●  | ●    | ●  | ● |
| 0695        | GASKET 3/4 INCH (AFM34/2 REINZ)   | 573520      |      | ●   | ● | ● | ● | ● | ● | ● | ● | ● | ●  | ●  | ●  | ●  | ●  | ●  | ●  | ●  | ●  | ●    | ●  | ● |
| 0696        | GASKET (HYDROBLOCK)               | 64980250    |      | ●   | ● | ● | ● | ● | ● | ● | ● | ● | ●  | ●  | ●  | ●  | ●  | ●  | ●  | ●  | ●  | ●    | ●  | ● |
| 0697        | EXCHANGER GASKET                  | 65114928    |      |   |   |   |   | ● |   |   |   | ● |    |    |    |    |    |    |    |    |    |      |    |   |
| 0698        | O-RING 13.95 X 2.62               | 64980202    |      |   |   |   |   | ● |   |   |   | ● |    |    |    |    |    |    |    |    |    |      |    | ● |

NC085-NC110-NC150-NC199

LEFT

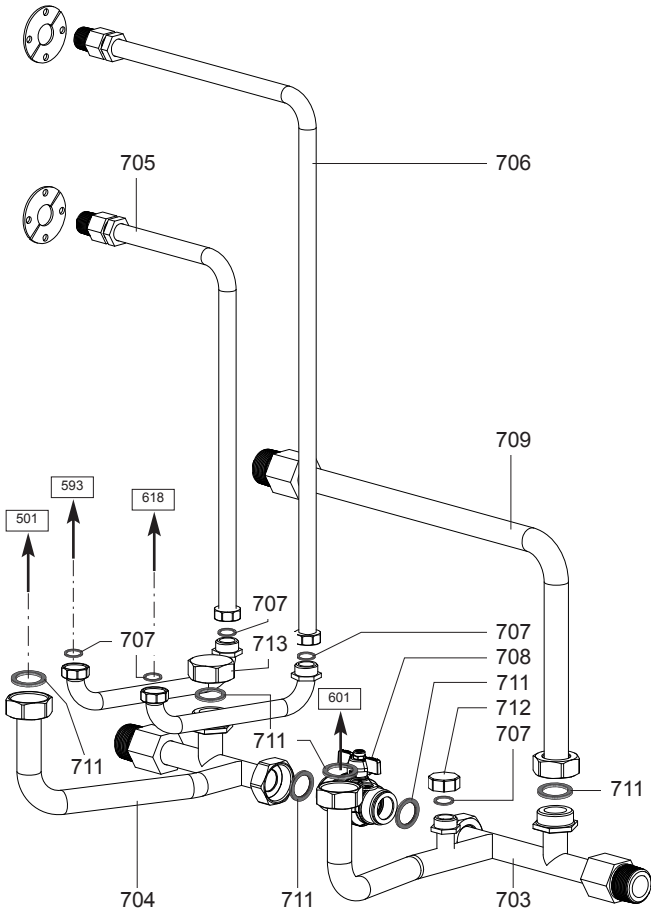


RIGHT

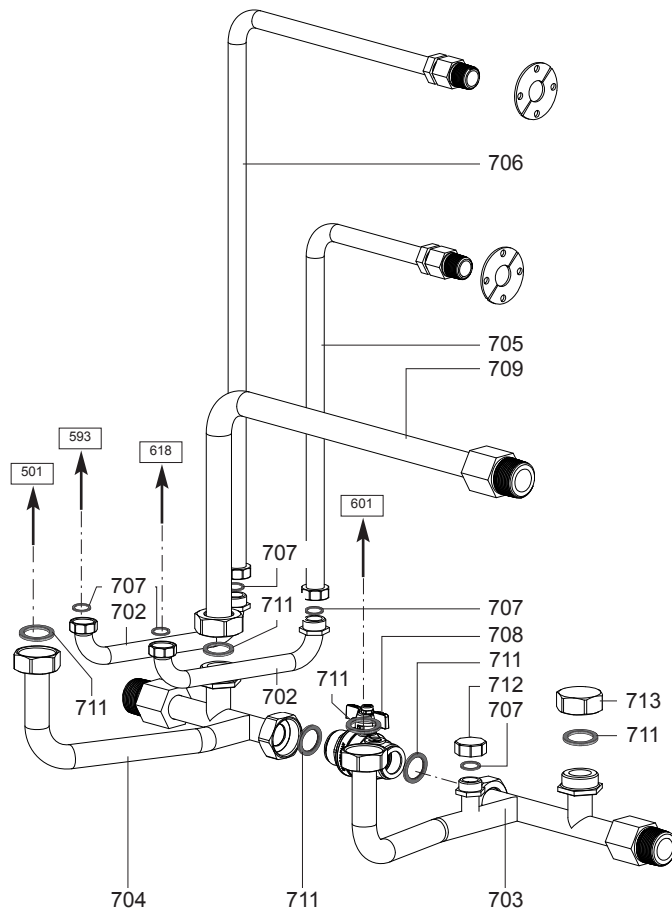


NC110C-NC150C-NC199C

LEFT



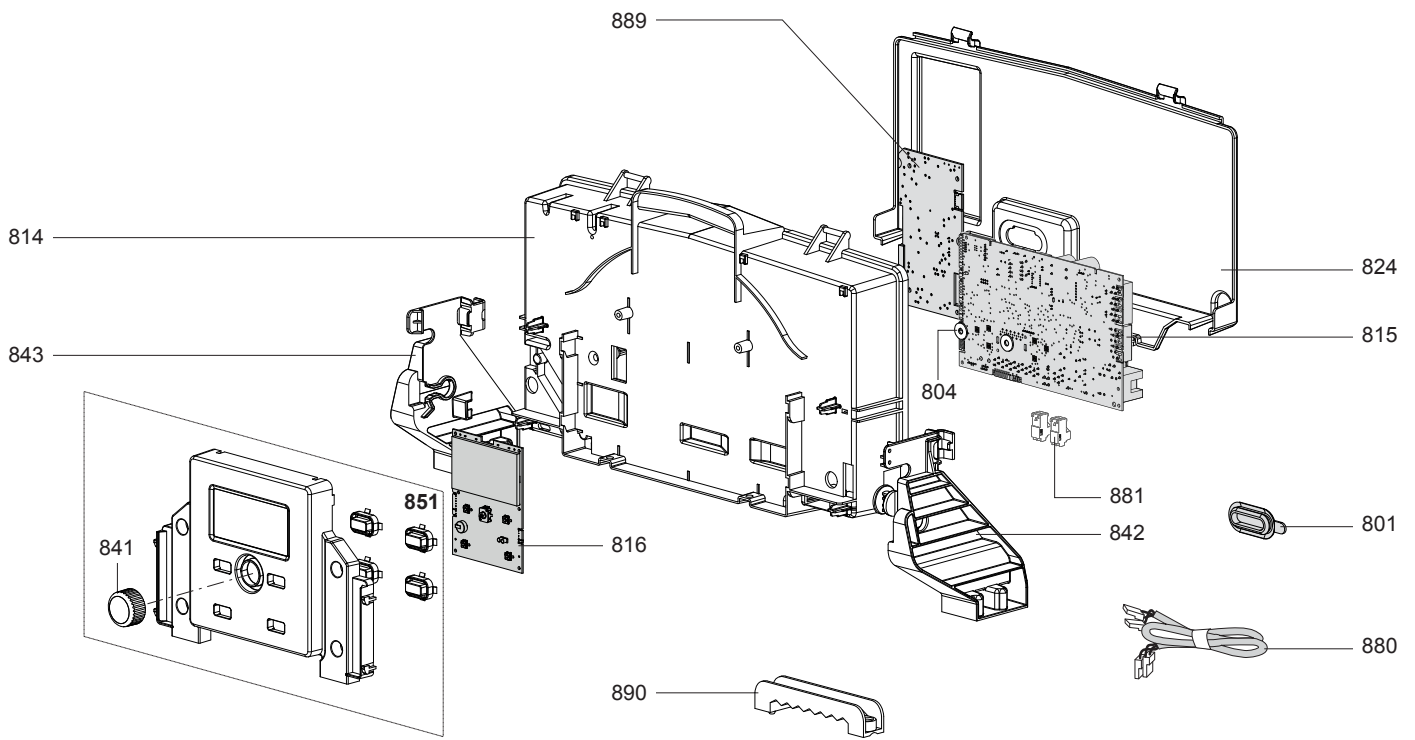
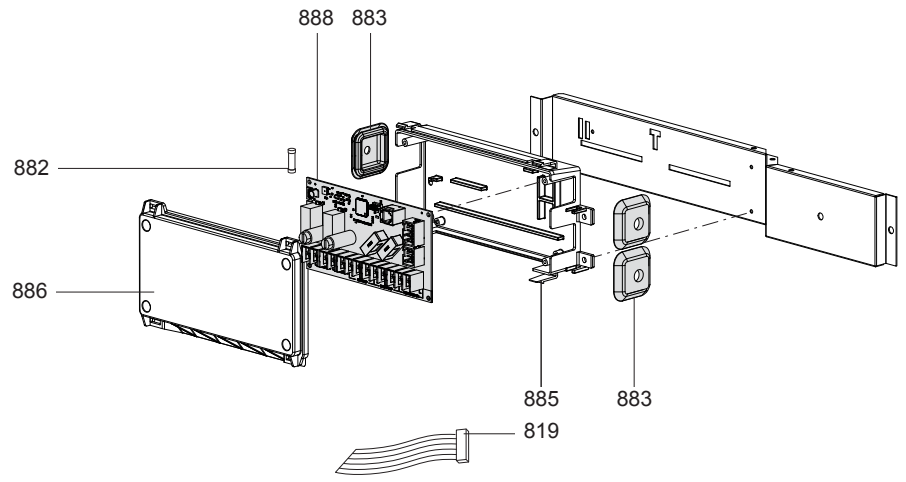
RIGHT



NC085 COMPASS  
 NC110 COMPASS  
 NC110(C) COMPASS  
 NC180 COMPASS  
 NC150(C) COMPASS  
 NC199 COMPASS  
 NC199(C) COMPASS

31

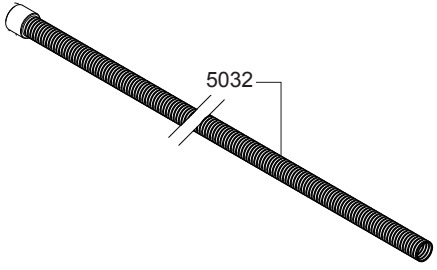
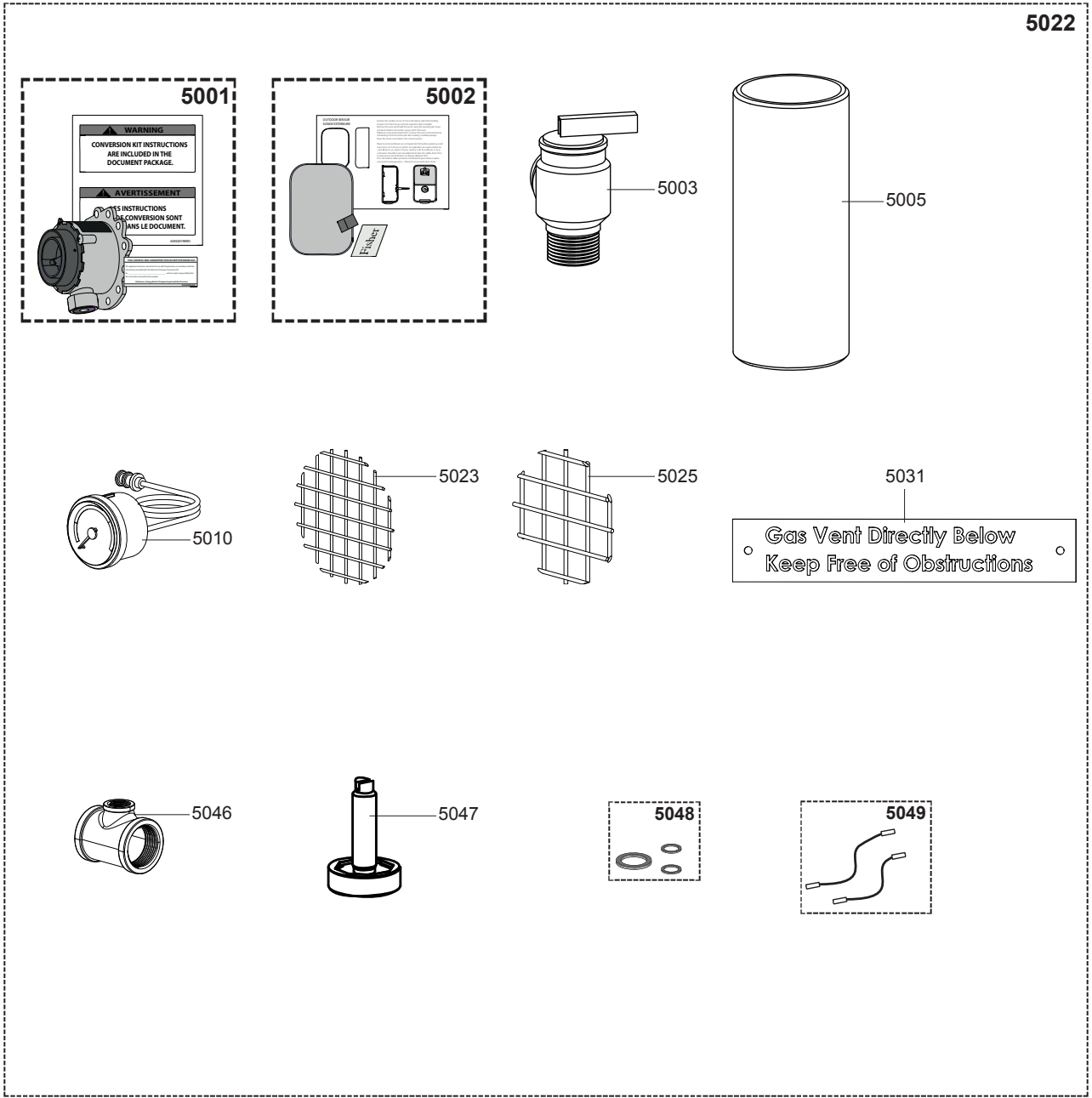
|      | Description                      | Manf. Pt. N | Type |   |   |   |   |   |   |   |   |   |    |    |    |    |    |    |    |    |    | From | to |  |  |  |
|------|----------------------------------|-------------|------|---|---|---|---|---|---|---|---|---|----|----|----|----|----|----|----|----|----|------|----|--|--|--|
|      |                                  |             |      | 1 | 2 | 3 | 4 | 5 | 6 | 7 | 8 | 9 | 10 | 11 | 12 | 13 | 14 | 15 | 16 | 17 | 18 |      |    |  |  |  |
| 0702 | NC Lower Return Pipe (water)     | 6500707100  |      | ● | ● | ● | ● | ● | ● | ● |   |   |    |    |    |    |    |    |    |    |    |      |    |  |  |  |
| 0703 | PIPE (LL HEADER-RETURN PIPE)     | 6500707200  |      | ● | ● | ● | ● | ● | ● | ● |   |   |    |    |    |    |    |    |    |    |    |      |    |  |  |  |
| 0704 | PIPE LL-HEADER SUPPLY PIPE       | 6500707300  |      | ● | ● | ● | ● | ● | ● | ● |   |   |    |    |    |    |    |    |    |    |    |      |    |  |  |  |
| 0705 | PIPE (DHW SUPPLY-RETURN SHORT)   | 6500707500  |      | ● | ● | ● | ● | ● | ● | ● |   |   |    |    |    |    |    |    |    |    |    |      |    |  |  |  |
| 0706 | PIPE (DHW SIDE SUPPLY/RETURN)    | 6500707600  |      | ● | ● | ● | ● | ● | ● | ● |   |   |    |    |    |    |    |    |    |    |    |      |    |  |  |  |
| 0707 | GASKET 3/4 INCH (AFM34/2 REINZ)  | 573520      |      | ● | ● |   |   |   | ● |   |   |   |    |    |    |    |    |    |    |    |    |      |    |  |  |  |
| 0708 | ISOLATION VALVE, 1 1/4" M BSSP   | 64980719    |      | ● | ● | ● | ● | ● | ● | ● |   |   |    |    |    |    |    |    |    |    |    |      |    |  |  |  |
| 0709 | PIPE (CH SUPPLY RETURN)          | 6500709500  |      | ● | ● | ● | ● | ● | ● | ● |   |   |    |    |    |    |    |    |    |    |    |      |    |  |  |  |
| 0711 | GASKET 1-1/4 IN (REINZ AFM 34/2) | 6500709600  |      | ● | ● | ● | ● | ● | ● | ● |   |   |    |    |    |    |    |    |    |    |    |      |    |  |  |  |
| 0712 | CAP, BRASS 3-4 STRAIGHT          | 6000087105  |      | ● | ● |   |   |   | ● |   |   |   |    |    |    |    |    |    |    |    |    |      |    |  |  |  |
| 0713 | CAP (BRASS 1.25 BSSP)            | 6500708000  |      | ● | ● | ● | ● | ● | ● | ● |   |   |    |    |    |    |    |    |    |    |    |      |    |  |  |  |
|      |                                  |             |      |   |   |   |   |   |   |   |   |   |    |    |    |    |    |    |    |    |    |      |    |  |  |  |
|      |                                  |             |      |   |   |   |   |   |   |   |   |   |    |    |    |    |    |    |    |    |    |      |    |  |  |  |
|      |                                  |             |      |   |   |   |   |   |   |   |   |   |    |    |    |    |    |    |    |    |    |      |    |  |  |  |
|      |                                  |             |      |   |   |   |   |   |   |   |   |   |    |    |    |    |    |    |    |    |    |      |    |  |  |  |
|      |                                  |             |      |   |   |   |   |   |   |   |   |   |    |    |    |    |    |    |    |    |    |      |    |  |  |  |
|      |                                  |             |      |   |   |   |   |   |   |   |   |   |    |    |    |    |    |    |    |    |    |      |    |  |  |  |
|      |                                  |             |      |   |   |   |   |   |   |   |   |   |    |    |    |    |    |    |    |    |    |      |    |  |  |  |
|      |                                  |             |      |   |   |   |   |   |   |   |   |   |    |    |    |    |    |    |    |    |    |      |    |  |  |  |
|      |                                  |             |      |   |   |   |   |   |   |   |   |   |    |    |    |    |    |    |    |    |    |      |    |  |  |  |
|      |                                  |             |      |   |   |   |   |   |   |   |   |   |    |    |    |    |    |    |    |    |    |      |    |  |  |  |
|      |                                  |             |      |   |   |   |   |   |   |   |   |   |    |    |    |    |    |    |    |    |    |      |    |  |  |  |
|      |                                  |             |      |   |   |   |   |   |   |   |   |   |    |    |    |    |    |    |    |    |    |      |    |  |  |  |
|      |                                  |             |      |   |   |   |   |   |   |   |   |   |    |    |    |    |    |    |    |    |    |      |    |  |  |  |
|      |                                  |             |      |   |   |   |   |   |   |   |   |   |    |    |    |    |    |    |    |    |    |      |    |  |  |  |
|      |                                  |             |      |   |   |   |   |   |   |   |   |   |    |    |    |    |    |    |    |    |    |      |    |  |  |  |
|      |                                  |             |      |   |   |   |   |   |   |   |   |   |    |    |    |    |    |    |    |    |    |      |    |  |  |  |
|      |                                  |             |      |   |   |   |   |   |   |   |   |   |    |    |    |    |    |    |    |    |    |      |    |  |  |  |
|      |                                  |             |      |   |   |   |   |   |   |   |   |   |    |    |    |    |    |    |    |    |    |      |    |  |  |  |
|      |                                  |             |      |   |   |   |   |   |   |   |   |   |    |    |    |    |    |    |    |    |    |      |    |  |  |  |
|      |                                  |             |      |   |   |   |   |   |   |   |   |   |    |    |    |    |    |    |    |    |    |      |    |  |  |  |
|      |                                  |             |      |   |   |   |   |   |   |   |   |   |    |    |    |    |    |    |    |    |    |      |    |  |  |  |
|      |                                  |             |      |   |   |   |   |   |   |   |   |   |    |    |    |    |    |    |    |    |    |      |    |  |  |  |
|      |                                  |             |      |   |   |   |   |   |   |   |   |   |    |    |    |    |    |    |    |    |    |      |    |  |  |  |
|      |                                  |             |      |   |   |   |   |   |   |   |   |   |    |    |    |    |    |    |    |    |    |      |    |  |  |  |
|      |                                  |             |      |   |   |   |   |   |   |   |   |   |    |    |    |    |    |    |    |    |    |      |    |  |  |  |
|      |                                  |             |      |   |   |   |   |   |   |   |   |   |    |    |    |    |    |    |    |    |    |      |    |  |  |  |
|      |                                  |             |      |   |   |   |   |   |   |   |   |   |    |    |    |    |    |    |    |    |    |      |    |  |  |  |
|      |                                  |             |      |   |   |   |   |   |   |   |   |   |    |    |    |    |    |    |    |    |    |      |    |  |  |  |
|      |                                  |             |      |   |   |   |   |   |   |   |   |   |    |    |    |    |    |    |    |    |    |      |    |  |  |  |
|      |                                  |             |      |   |   |   |   |   |   |   |   |   |    |    |    |    |    |    |    |    |    |      |    |  |  |  |



|      | Description                              | Manf. Pt. N | Type | <div style="text-align: center; border: 1px solid black; padding: 5px; transform: rotate(-15deg); display: inline-block;">           NC085 COMPASS<br/>           NC110 COMPASS<br/>           NC110(C) COMPASS<br/>           NC180 COMPASS<br/>           NC150(C) COMPASS<br/>           NC199 COMPASS<br/>           NC199(C) COMPASS         </div> |   |   |   |   |   |   |   |   |    |    |    |    |    |    |    |    |    | From<br><b>31</b> | to |
|------|--|-------------|------|--|---|---|---|---|---|---|---|---|----|----|----|----|----|----|----|----|----|-------------------|----|
|      |  |             |      | 1  | 2 | 3 | 4 | 5 | 6 | 7 | 8 | 9 | 10 | 11 | 12 | 13 | 14 | 15 | 16 | 17 | 18 |                   |    |
| 0800 | ELECTRICAL BOX                           |             |      |  |   |   |   |   |   |   |   |   |    |    |    |    |    |    |    |    |    |                   |    |
| 0801 | GROMMET(PCD TOOL ACCESS)                 | 998382      |      | •  | • | • | • | • | • | • | • |   |    |    |    |    |    |    |    |    |    |                   |    |
| 0804 | CARD FIXING WASHER                       | 65112054    |      | •  | • | • | • | • | • | • | • |   |    |    |    |    |    |    |    |    |    |                   |    |
| 0814 | CONTROL PANEL BASE                       | 64980075    |      | •  | • | • | • | • | • | • | • |   |    |    |    |    |    |    |    |    |    |                   |    |
| 0815 | P.C.B. (MAIN)                            | 6500604600  |      | •  | • | • | • | • | • | • | • |   |    |    |    |    |    |    |    |    |    |                   |    |
| 0816 | P.C.B. (DISPLAY) SERIES II               | 6500604400  |      | •  | • | • | • | • | • | • | • |   |    |    |    |    |    |    |    |    |    |                   |    |
| 0819 | WIRING (WIFI)                            | 6500670000  |      | •  | • | • | • | • | • | • | • |   |    |    |    |    |    |    |    |    |    |                   |    |
| 0824 | CONTROL PANEL COVER                      | 64980402    |      | •  | • | • | • | • | • | • | • |   |    |    |    |    |    |    |    |    |    |                   |    |
| 0841 | DIAL, SERIES II DISPLAY                  | 6500604500  |      | •  | • | • | • | • | • | • | • |   |    |    |    |    |    |    |    |    |    |                   |    |
| 0842 | CONTROL PANEL HINGE (R.H.Side)           | 64980234    |      | •  | • | • | • | • | • | • | • |   |    |    |    |    |    |    |    |    |    |                   |    |
| 0843 | CONTROL PANEL HINGE (L.H.Side)           | 64980235    |      | •  | • | • | • | • | • | • | • |   |    |    |    |    |    |    |    |    |    |                   |    |
| 0851 | CONTROL PANEL                            | 6500679900  |      | •  | • | • | • | • | • | • | • |   |    |    |    |    |    |    |    |    |    |                   |    |
| 0880 | 3-WAY VALVE CABLE                        | 6500666100  |      | •  | • |   | • |   | • |   |   |   |    |    |    |    |    |    |    |    |    |                   |    |
|      | 3-WAY VALVE CABLE                        | 6500670100  |      |  |   |   | • |   | • |   |   |   |    |    |    |    |    |    |    |    |    |                   |    |
|      | BLOWER POWER PIGTAIL (NRG118 TO NRG 128) | 64980249    |      |  |   |   |   |   |   | • | • |   |    |    |    |    |    |    |    |    |    |                   |    |
|      | CABLE (BOILER POWER SUPPLY)              | 64980248    |      | •  | • | • | • | • | • | • | • |   |    |    |    |    |    |    |    |    |    |                   |    |
|      | CABLE (DETECTION ELECTRODE)              | 64980097    |      | •  | • | • | • | • | • | • | • |   |    |    |    |    |    |    |    |    |    |                   |    |
|      | CABLE (FAN-POWER SUPPLY)                 | 6500670200  |      | •  | • | • | • | • | • | • | • |   |    |    |    |    |    |    |    |    |    |                   |    |
|      | CABLE (JUNCTION BOX POWER SUPPLY)        | 6500669900  |      | •  | • | • | • | • | • | • | • |   |    |    |    |    |    |    |    |    |    |                   |    |
|      | CABLE (PUMP 5M PWM TACO)                 | 65118695    |      | •  | • | • | • | • | • | • | • |   |    |    |    |    |    |    |    |    |    |                   |    |
|      | CABLE (PWM)                              | 6500680100  |      | •  | • | • | • | • | • | • | • |   |    |    |    |    |    |    |    |    |    |                   |    |
|      | CABLE (SPARK GENERATOR)                  | 64980080    |      | •  | • | • | • | • | • | • | • |   |    |    |    |    |    |    |    |    |    |                   |    |
|      | DISPLAY WIRING - 5 WIRES BLACK L=1000    | 6500719800  |      | •  | • | • | • | • | • | • | • |   |    |    |    |    |    |    |    |    |    |                   |    |
|      | GAS VALVE CABLE                          | 64980109    |      | •  | • | • | • | • | • | • | • |   |    |    |    |    |    |    |    |    |    |                   |    |
|      | WIRING (FLUE SENS.-APS-DEL./RETURN NTC)  | 6500689400  |      | •  | • | • | • | • | • | • | • |   |    |    |    |    |    |    |    |    |    |                   |    |
|      | WIRING (PUMP)                            | 6500669800  |      | •  | • | • | • | • | • | • | • |   |    |    |    |    |    |    |    |    |    |                   |    |
| 0881 | CONNECTOR 2P                             | 65111933    |      | •  | • | • | • | • | • | • | • |   |    |    |    |    |    |    |    |    |    |                   |    |
| 0882 | FUSE 5X20 RIT. 5 A 250V                  | 65119782    |      | •  | • | • | • | • | • | • | • |   |    |    |    |    |    |    |    |    |    |                   |    |
| 0883 | GROMMET                                  | 6500604900  |      | •  | • | • | • | • | • | • | • |   |    |    |    |    |    |    |    |    |    |                   |    |
| 0885 | JUNCTION BOX BASE                        | 6500605900  |      | •  | • | • | • | • | • | • | • |   |    |    |    |    |    |    |    |    |    |                   |    |
| 0886 | JUNCTION BOX COVER                       | 6500605800  |      | •  | • | • | • | • | • | • | • |   |    |    |    |    |    |    |    |    |    |                   |    |
| 0888 | P.C.B. (JUNCTION BOX)                    | 6500605700  |      | •  | • | • | • | • | • | • | • |   |    |    |    |    |    |    |    |    |    |                   |    |
| 0889 | P.C.B. (WIFI-REM4)                       | 6500771200  |      | •  | • | • | • | • | • | • | • |   |    |    |    |    |    |    |    |    |    |                   |    |
| 0890 | CABLE CLAMP                              | 65103377    |      | •  | • | • | • | • | • | • | • |   |    |    |    |    |    |    |    |    |    |                   |    |

NC085-199(C) COMPASS

Gas-standing condensing boiler



| ☹→   | Description                            | Manf. Pt. N | Type | NC085 COMPASS<br>NC110 COMPASS<br>NC110(C) COMPASS<br>NC180 COMPASS<br>NC150(C) COMPASS<br>NC199 COMPASS<br>NC199(C) COMPASS |   |   |   |   |   |   |   |   |    |    |    |    |    |    |    |    |    |
|------|--|-------------|------|--|---|---|---|---|---|---|---|---|----|----|----|----|----|----|----|----|----|
|      |  |             |      | 1  | 2 | 3 | 4 | 5 | 6 | 7 | 8 | 9 | 10 | 11 | 12 | 13 | 14 | 15 | 16 | 17 | 18 |
| 5000 | JIG PLATE & PIPE FITTING               |             |      |  |   |   |   |   |   |   |   |   |    |    |    |    |    |    |    |    |    |
| 5001 | CONVERSION KIT (150 KW - LP)           | 6500690300  |      |  |   |   |   |   | ● | ● |   |   |    |    |    |    |    |    |    |    |    |
|      | CONVERSION KIT (199 KW - LP)           | 6500690600  |      |  |   |   |   |   |   |   |   |   | ●  | ●  |    |    |    |    |    |    |    |
|      | CONVERSION KIT (85→110 KW - LP)        | 6500690100  |      | ●  | ● | ● |   |   |   |   |   |   |    |    |    |    |    |    |    |    |    |
| 5002 | OUTDOOR SENSOR                         | 64980218    |      | ●  | ● | ● | ● | ● | ● | ● | ● |   |    |    |    |    |    |    |    |    |    |
| 5003 | PRESSURE RELIEF VALVE                  | 65118683    |      | ●  | ● | ● | ● | ● | ● | ● | ● |   |    |    |    |    |    |    |    |    |    |
| 5005 | 3 CPVC SYS 636, 5 LONG                 | 6000083991  |      | ●  | ● | ● | ● | ● | ● | ● | ● |   |    |    |    |    |    |    |    |    |    |
| 5010 | PRESSURE/TEMPERATURE GAUGE             | 65118685    |      | ●  | ● | ● | ● | ● | ● | ● | ● |   |    |    |    |    |    |    |    |    |    |
| 5022 | INSTALLATION KIT (NC085-110/c)         | 6500707700  |      | ●  | ● | ● |   |   |   |   |   |   |    |    |    |    |    |    |    |    |    |
|      | INSTALLATION KIT (NC150/c)             | 6500707800  |      |  |   |   |   | ● | ● |   |   |   |    |    |    |    |    |    |    |    |    |
|      | INSTALLATION KIT (NC199/c)             | 6500707900  |      |  |   |   |   |   |   |   |   |   | ●  | ●  |    |    |    |    |    |    |    |
| 5023 | ROUND MESH, VENT SCREEN (2.25 in)      | 64980211    |      | ●  | ● | ● | ● | ● | ● |   |   |   |    |    |    |    |    |    |    |    |    |
| 5025 | ROUND MESH, VENT SCREEN (3.375 in)     | 64980212    |      | ●  | ● | ● | ● | ● | ● | ● |   |   |    |    |    |    |    |    |    |    |    |
| 5031 | GAS VENT DIRECTLY BELOW DECAL          | 64980098    |      | ●  | ● | ● | ● | ● | ● | ● | ● |   |    |    |    |    |    |    |    |    |    |
| 5032 | PLASTIC PIPE CONDENSATE DRAIN          | 65117092    |      | ●  | ● | ● | ● | ● | ● | ● | ● |   |    |    |    |    |    |    |    |    |    |
| 5046 | TEE STRAIGHT 1.25IN X 0.5IN            | 6500708100  |      | ●  | ● | ● | ● | ● | ● | ● | ● |   |    |    |    |    |    |    |    |    |    |
| 5047 | LEG, LEVELER ASSMBLD, 3-8-16 X 1.5     | 6000084072  |      | ●  | ● | ● | ● | ● | ● | ● | ● |   |    |    |    |    |    |    |    |    |    |
| 5048 | ACCESSORIES KIT NC SPARE WATER GASKETS | 6500719300  |      | ●  | ● | ● | ● | ● | ● | ● | ● |   |    |    |    |    |    |    |    |    |    |
| 5049 | KIT JUMPER WIRES, NC Series            | 6500452800  |      | ●  | ● | ● | ● | ● | ● | ● | ● |   |    |    |    |    |    |    |    |    |    |

|      |  | EN   |  | DE  |  | NL   |  |  |
|------|---|--|--|---|--|--|--|---|
|      |   | FR   |  | ES  |  | IT   |  |   |
| 0101 | 6500645000  | IGNITION ELECTRODE<br>ELECTRODE ALLUMAGE                                       |  | ZUNDELEKTRODE<br>ELECTRODO DE ENCENDIDO                           |  | ELECTRODE ONTSTEKING<br>ELETTRODO D'ACCENSIONE                   |  | 25  |
| 0105 | 64980174  | NTC FLUE SENSOR 4X45 1/4 10K3 SS<br>CAPTEUR NTC 4X45 1/4 10K3 SS               |  | NTC SENSOR 4X45 1/4 10K3 SS<br>NTC SENSOR 4X45 1/4 10K3 SS        |  | NTC SENSOR 4X45 1/4 10K3 SS<br>SENSORE NTC 4X45 1/4 10K3 SS      |  | 1   |
| 0110 | 64980168  | INSULATION (BURNER DOOR DISC-VC30)<br>PANNEAU ISOLEMENT VC30                   |  | ISOLIERUNGSPANEEL VC30<br>PANEL AISLANTE VC30                     |  | PANNEAU ISOLEMENT VC30<br>PANNELLO ISOLANTE VC30                 |  | 1   |
|      | 64980169  | INSULATION (BURNER DOOR DISC-VC45)<br>PANNEAU ISOLEMENT VC45                   |  | ISOLIERUNGSPANEEL VC45<br>PANEL AISLANTE VC45                     |  | PANNEAU ISOLEMENT VC45<br>PANNELLO ISOLANTE VC45                 |  | 1   |
| 0111 | 64980170  | INSULATION (BURNER DOOR DISC-VC60)<br>PANNEAU ISOLEMENT VC60                   |  | ISOLIERUNGSPANEEL VC60<br>PANEL AISLANTE VC60                     |  | PANNEAU ISOLEMENT VC60<br>PANNELLO ISOLANTE VC60                 |  | 1   |
|      | 64980160  | HEAT EXCHANGER VC30 AIC<br>ECHANGEUR VC30 AIC                                  |  | AUSTAUSCHER VC30 AIC<br>INTERCAMBIADOR VC30 AIC                   |  | WARMTEWISSELAAR VC30 AIC<br>SCAMBIATORE VC30 AIC                 |  | 1   |
|      | 64980161  | HEAT EXCHANGER VC45 AIC<br>ECHANGEUR VC45 AIC                                  |  | AUSTAUSCHER VC45 AIC<br>INTERCAMBIADOR VC45 AIC                   |  | WARMTEWISSELAAR VC45 AIC<br>SCAMBIATORE VC45 AIC                 |  | 1   |
| 0114 | 64980162  | HEAT EXCHANGER VC60 AIC<br>ECHANGEUR VC60, AIC                                 |  | AUSTAUSCHER VC60 AIC<br>INTERCAMBIADOR VC60 AIC                   |  | WARMTEWISSELAAR VC60, AIC<br>SCAMBIATORE VC60 AIC                |  | 1   |
|      | 64980158  | BURNER VC30<br>BRULEUR VC30  |  | BRENNER VC30<br>QUEMADOR VC30                                     |  | BRANDER VC30<br>BRUCIATORE VC30                                  |  | 1   |
|      | 64980159  | BURNER VC45/VC60<br>BRULEUR VC45/VC60  |  | BRENNER VC45/VC60<br>QUEMADOR VC45/VC60                           |  | BRANDER VC45/VC60<br>BRUCIATORE VC45/VC60                        |  | 1   |
| 0116 | 64980461  | BURNER TOP PLATE<br>PLAQUE SUPÉRIEURE DU BRÛLEUR                               |  | BRENNERDECKPLATTE<br>PLACA SUPERIOR DEL QUEMADOR                  |  | BOVENPLAAT BRANDER<br>PIASTRA BRUCIATORE                         |  | 1   |
|      | 64980462  | BURNER TOP PLATE<br>PLAQUE SUPÉRIEURE DU BRÛLEUR                               |  | BRENNERDECKPLATTE<br>PLACA SUPERIOR DEL QUEMADOR                  |  | BOVENPLAAT BRANDER<br>PIASTRA BRUCIATORE                         |  | 1   |
|      | 64980463  | BURNER TOP PLATE<br>PLAQUE SUPÉRIEURE DU BRÛLEUR                               |  | BRENNERDECKPLATTE<br>PLACA SUPERIOR DEL QUEMADOR                  |  | BOVENPLAAT BRANDER<br>PIASTRA BRUCIATORE                         |  | 1   |
| 0117 | 6500772400  | CONDENSATE TRAP<br>SIPHON  |  | SIPHON<br>SIFON ANTICONDENSACION                                  |  | SIFON<br>SIFONE SCARICO CONDENSA                                 |  | 1   |
| 0124 | 990686-01   | TEMPERATURE PROBE + CLIP<br>SONDE NTC + CLIPS KIT                              |  | NTC-SONDE MIT CLIPS KIT<br>SONDA NTC + CLIPS KIT                  |  | VOELER NTC + KLEM KIT<br>SONDA NTC + CLIPS KIT                   |  | 1   |
| 0151 | 64980178  | CONDENSATE DRAIN PIPE<br>TUYAU D'ÉVACUAT.DES CONDENS.                          |  | KONDENSATABLAUFROHR<br>TUBO DE DRENAJE DE CONDENSAD.              |  | CONDENSATFOERLEIDING<br>TUBO SCARICO CONDENSA                    |  | 1   |
| 0152 | 64980263  | COUPLING Y HOSE CONNECTOR<br>COUPLAGE ET CONNECT.DE TUYAU                      |  | KUPPLUNG DES SCHLAUCHANSCHLUSS.<br>CONECTOR DE ACOPLAM.Y MANGUERA |  | KOPPELING VAN DE SLANGCONNECTOR<br>CONNETTORE TUBI Y             |  | 1   |
| 0160 | 6000086929  | CONDENSATE DISH ONLY VC45<br>CONDENSATE DISH ONLY VC45                         |  | CONDENSATE DISH ONLY VC45<br>CONDENSATE DISH ONLY VC45            |  | CONDENSATE DISH ONLY VC45<br>CONDENSATE DISH ONLY VC45           |  | 5   |
|      | 6000086930  | CONDENSATE DISH ONLY VC60<br>CONDENSATE DISH ONLY VC60                         |  | CONDENSATE DISH ONLY VC60<br>CONDENSATE DISH ONLY VC60            |  | CONDENSATE DISH ONLY VC60<br>CONDENSATE DISH ONLY VC60           |  | 5   |
|      | 64980675  | CONDENSATE DISH ONLY VC30<br>CONDENSATE DISH ONLY VC30                         |  | CONDENSATE DISH ONLY VC30<br>CONDENSATE DISH ONLY VC30            |  | CONDENSATE DISH ONLY VC30<br>CONDENSATE DISH ONLY VC30           |  | 1   |
| 0161 | 6000086932  | GASKET (CONDENSATE DISH)<br>JOINT RECUPERAT.DE CONDENSATS                      |  | DICHTUNG (KONDENSWASSER)<br>JUNTA RECOGE-CONDENSACION             |  | DICHTING (CONDENSAATOPVANG)<br>GUARNIZ.VASCA RACCOGLICOND.       |  | 5   |
|      | 6000086933  | GASKET (CONDENSATE DISH)<br>JOINT RECUPERAT.DE CONDENSATS                      |  | DICHTUNG (KONDENSWASSER)<br>JUNTA RECOGE-CONDENSACION             |  | DICHTING (CONDENSAATOPVANG)<br>GUARNIZ.VASCA RACCOGLICOND.       |  | 5   |
| 0163 | 64980677  | GASKET (VC30 CONDENSATE DISH)<br>JOINT (BAC À CONDENSAT)                       |  | DICHTUNG (KONDENSATSCHALE)<br>JUNTA (PLATO DE CONDENSADO)         |  | PAKKING (CONDENSAATSCHAAL)<br>GUARIZIONE VASCA RACCOGLICOND.     |  | 1   |
|      | 64980243  | CLAMP<br>SERRER  |  | KLEMME<br>ABRAZADERA  |  | KLEM<br>MORSETTO   |  | 1   |
| 0168 | 60000533  | HOSE CLAMP<br>COLLIER SUR SOUPLE   |  | KRAGEN AUF FLEXIBEL<br>COLLAR EN FLEXIBLE                         |  | KRAAG OP FLEXIBEL<br>COLLARE SU FLESSIBILE                       |  | 1   |
| 0169 | 64980242  | NUT, SERRATED FLANGE M3<br>ECROU, BRIDE SERREE M3                              |  | MUTTER, SERRIERTER FLANSCH M3<br>TUERCA, BRIDA SERRADA M3         |  | MOER, GESLAGEN FLENS M3<br>DADO FLANGIATO M3                     |  | 5   |
| 0170 | 64980246  | NUT, SERRATED FLANGE M6<br>ECROU, BRIDE SERREE M6                              |  | MUTTER, SERRIERTER FLANSCH M6<br>TUERCA, BRIDA SERRADA M6         |  | MOER, GESLAGEN FLENS M6<br>DADO FLANGIATO M6                     |  | 5   |
| 0171 | 64980166  | GASKET (BURNER-VC30)<br>JOINT BRULEUR VC30                                     |  | DICHTUNG (BRENNER VC30)<br>JUNTA QUEMADOR VC30                    |  | DICHTING (BRANDER VC30)<br>GUARNIZIONE BRUCIATORE VC30           |  | 1   |
|      | 64980167  | GASKET (BURNER-VC45/VC60)<br>JOINT BRULEUR VC45/VC60                           |  | FORMDICHTUNG (BRENNER VC45/VC60)<br>JUNTA QUEMADOR VC45/VC60      |  | DICHTING (BRANDER VC45/VC60)<br>GUARNIZIONE BRUCIAT.VC45/VC60    |  | 1   |
| 0172 | 64980223  | GASKET (ELECTRODE)<br>JOINT ELECTRODE  |  | DICHTUNG ELEKTRODE<br>JUNTA ELECTRODO                             |  | PAKKING ELECTRODE<br>GUARNIZIONE ELETTRODO                       |  | 1   |
| 0177 | 64980150  | AIR VENT<br>PURGEUR D'AIR  |  | LUFTBLASSVENTIL<br>PURGADOR DE AIRE                               |  | ONTLUCHTINGSKLEP<br>VALVOLA SFIATO ARIA                          |  | 1   |
| 0178 | 64980701  | GASKET 1 in ( AFM34/2 REINZ)<br>JOINT 1" AFM34/2                               |  | DICHTUNG 1 Z, AFM34/2<br>JUNTA 1" AFM34/2                         |  | AFDICHTING 1", AFM34/2<br>GUARNIZIONE ACQUA-GAS 1" AFM34/2       |  | 10  |
| 0180 | 65119323  | SPARK GENERATOR<br>TRANSFORMATEUR D'ALLUMAGE                                   |  | ZUNDTRAFO<br>ENCENDEDOR   |  | ONTSTEKINGSTRANSFORMATOR<br>ACCENDITORE                          |  | 1   |
| 0182 | 64980244  | CONNECTOR TUBING 3/8 in x 1/4 in, barbed<br>TUBE DE CONNECTEUR 3/8 in x 1/4 in |  | ANSCHLUSSROHR 3/8 in x 1/4 in<br>CONECTOR TUBERÍA 3/8 in x 1/4 in |  | CONNECTORBUIS 3/8 in x 1/4 in<br>CONNETTORE TUBI 3/8 in x 1/4 in |  | 1   |
| 0183 | 64980173  | FLUE PIPE (POLYPROPYLENE)<br>TUBE EN PLASTIQUE                                 |  | ABGASROHR<br>TUBO DE HUMOS CENTROTERM                             |  | FLUE PIPE (POLYPROPYLENE)<br>TUBO SCARICO FUMI (POLIPROPILENE)   |  | 1   |
| 0185 | 64980222  | SIGHT GLASS (COMPLETE)<br>SIGHT GLASS (COMPLETE)                               |  | SIGHT GLASS (COMPLETE)<br>SIGHT GLASS (COMPLETE)                  |  | SIGHT GLASS (COMPLETE)<br>VETRO SPIA (COMPLETO)                  |  | 1   |



| ☰    | XXXXXXXX   | EN   | DE  | NL   | X |
|------|------------|--|---|--|---|
|      |            | FR   | ES  | IT   |   |
| 0186 | 64980171   | CABLE (IGNITION ELECTRODE)<br>CÂBLE D'ÉLECTRODE D'ALLUMAGE                   | ZÜNDUNGSELEKTRODENKABEL<br>CABLE DE ELECTR.DE ENCENDIDO                       | ONTSTEKINGSSELECTRODE KABEL<br>CAVO ELETTRODO ACCENSIONE                   | 1 |
| 0187 | 65118678   | AIR PRESSURE SWITCH<br>PRESSOSTAT AIR  | LUFTWACHTER<br>PRESSOSTATO AIRE   | DRUKSCHAKELAAR LUCHT<br>PRESSOSTATO ARIA                                   | 1 |
| 0188 | 64980241   | NUT, SERRATED FLANGE M5-08<br>ECROU, BRIDE SERREE M5-08                      | MUTTER, SERRIERTER FLANSCH M5-08<br>TUERCA, BRIDA SERRADA M5-08               | MOER, GESLAGEN FLENS M5-08<br>DADO FLANGIATO M5-08                         | 5 |
| 0191 | 64980154   | PIPE (MANIFOLD)<br>TUYAU (COLLECTEUR)  | ROHR (VERTEILER)<br>TUBO (COLECTOR)   | PIJP (SPRUITSTUK)<br>TUBO COLLETTORE                                       | 0 |
| 0192 | 64980687   | PLUG (THERMAL SWITCH HOLE)<br>BOUCHON (TROUGH INTERRUPT.THERM.)              | STOPFEN (LOCH FÜR THERMOSCHALTER)<br>PLUG (THERMAL SWITCH HOLE)               | STOP (THERMISCHE SCHAKELAAR GAT)<br>TAPPO FORO INTER.TERMICO               | 1 |
| 0193 | 6500846600 | INSULATION (HEAT EXCHANGER)<br>ISOLATION (échangeur de chaleur)              | ISOLIERUNG (WÄRMETAUSCHER)<br>AISLAMIENTO (intercambiador de calor)           | ISOLATIE (WARMTEWISSELAAR)<br>ISOLAMENTO SCAMBIATORE                       | 1 |
|      | 6500846700 | INSULATION (HEAT EXCHANGER)<br>ISOLATION (échangeur de chaleur)              | ISOLIERUNG (WÄRMETAUSCHER)<br>AISLAMIENTO (intercambiador de calor)           | ISOLATIE (WARMTEWISSELAAR)<br>ISOLAMENTO SCAMBIATORE                       | 1 |
|      | 6500846800 | INSULATION (HEAT EXCHANGER)<br>ISOLATION (échangeur de chaleur)              | ISOLIERUNG (WÄRMETAUSCHER)<br>AISLAMIENTO (intercambiador de calor)           | ISOLATIE (WARMTEWISSELAAR)<br>ISOLAMENTO SCAMBIATORE                       | 1 |
| 0199 | 64980507   | GASKET (thermal switch to top plate)<br>JOINT D'INTERRUPTEUR THERMIQUE       | DICHTUNG, THERMISCHER SCHALTER<br>JUNTA, INTERRUPTOR TÉRMICO                  | PAKKING, THERMISCHE SCHAKELAAR<br>GUARNIZ.INTER.TERMICO (piastra br.)      | 1 |
| 0201 | 65118645   | GAS VALVE, HONEYWELL KV4205<br>VALVE GAZ                                     | GASVENTIL<br>VALVULA GAS  | GASBLOK<br>VALVOLA GAS   | 1 |
| 0202 | 64980119   | VENTILATOR<br>VENTILATEUR  | LAUFRAD<br>HELICE VENTILADOR  | VENTILATORE<br>VENTILATORE   | 2 |
|      | 64980120   | VENTILATOR<br>VENTILATEUR  | LAUFRAD<br>HELICE VENTILADOR  | VENTILATORE<br>VENTILATORE   | 2 |
| 0210 | 60001923   | GAS DIAPHRAGM D: 6.40 (LP)<br>DIAPHRAGME GAZ D: 6.40                         | PLATTENVENTIL GAS D: 6.40<br>DIAFRAGMA GAS D: 6.40                            | DIAFRAGMA GAS D: 6.40<br>DIAFRAMMA GAS D: 6.40                             | 1 |
|      | 60001924   | GAS DIAPHRAGM D: 6.90<br>DIAPHRAGME GAZ D: 6.90                              | PLATTENVENTIL GAS D: 6.90<br>DIAFRAGMA GAS D: 6.90                            | DIAFRAGMA GAS D: 6.90<br>DIAFRAMMA GAS D: 6.90                             | 1 |
|      | 65118713   | GAS DIAPHRAGM D: 8.5 (NG)<br>DIAPHRAGME GAZ D: 8,5                           | PLATTENVENTIL GAS D: 8,5<br>DIAFRAGMA GAS D: 8,5                              | DIAFRAGMA GAS D: 8,5<br>DIAFRAMMA GAS D: 8,5                               | 1 |
| 0211 | 64980100   | MIXER 085-110 LP FT<br>MIXER 085-110-110C LP FT                              | MIXER 085-110-110C LP FT<br>MIXER 085-110-110C LP FT                          | MIXER 085-110-110C LP FT<br>MIXER 085-110-110C GLP FT                      | 1 |
|      | 64980102   | MIXER 150-150C LP FT<br>MIXER 150-150C LP FT                                 | MIXER 150-150C LP FT<br>MIXER 150-150C LP FT                                  | MIXER 150-150C LP FT<br>MIXER 150-150C GLP FT                              | 1 |
|      | 64980104   | MIXER 199-199C LP FT<br>MIXER 199-199C LP FT                                 | MIXER 199-199C LP FT<br>MIXER 199-199C LP FT                                  | MIXER 199-199C LP FT<br>MIXER 199-199C GPL FT                              | 1 |
|      | 64980124   | MIXER, 085-110-110C NG FT<br>MIXER, 085-110-110C NG FT                       | MIXER, 085-110-110C NG FT<br>MIXER, 085-110-110C NG FT                        | MIXER, 085-110-110C NG FT<br>MIXER, 085-110-110C NG FT                     | 1 |
|      | 64980125   | MIXER, 150-150C NG FT<br>MIXER, 150-150C NG FT                               | MIXER, 150-150C NG FT<br>MIXER, 150-150C NG FT                                | MIXER, 150-150C NG FT<br>MIXER, 150-150C NG FT                             | 1 |
|      | 64980126   | MIXER, 199-199C NG FT<br>MIXER, 199-199C NG FT                               | MIXER, 199-199C NG FT<br>MIXER, 199-199C NG FT                                | MIXER, 199-199C NG FT<br>MIXER, 199-199C NG FT                             | 1 |
| 0213 | 64980127   | SILENCER<br>SILENCIEUX   | SCHALLDÄMPFER<br>SILENCIADOR  | GELUIDDEMPER<br>SILENZIATORE   | 1 |
| 0214 | 64980664   | PIPE (GAS VALVE-MIXER) stainless<br>TUYAU (vanne de gaz-venturi) acier inox. | ROHR (gasventil-venturi) Edelstahl<br>TUBO (válvula de gas-mixer) acero inox. | PIJP (GASKLEP-VENTURI) roestvrije staal<br>TUBO GAS VALV.GAS-MIXER acciaio | 1 |
|      | 64980680   | PIPE (GAS VALVE-MIXER) stainless<br>TUYAU (vanne de gaz-venturi) acier inox. | ROHR (GASVENTIL-VENTURI) Edelstahl<br>TUBO (válvula de gas-mixer) acero inox. | PIJP (GASKLEP-VENTURI) roestvrije staal<br>TUBO GAS VALV.GAS-MIXER acciaio | 1 |
|      | 6500711500 | PIPE (GAS OUTLET) GV to mixer<br>TUBE VALVE GAZ-MIXER                        | GASAUSGANGSROHR<br>TUBO SALIDA GAS  | LEIDING GASKLEP-BRANDEER<br>TUBO USCITA GAS                                | 1 |
| 0225 | 6000086776 | ADAPTER, BRASS, M3-4NPTXM3-4G<br>ADAPTER, BRASS, M3-4NPTXM3-4G               | ADAPTER, BRASS, M3-4NPTXM3-4G<br>ADAPTER, BRASS, M3-4NPTXM3-4G                | ADAPTER, BRASS, M3-4NPTXM3-4G<br>ADAPTER, BRASS, M3-4NPTXM3-4G             | 0 |
| 0227 | 64980217   | GASKET (GAS ADAPTER)<br>JOINT (ADAPTATEUR GAZ)                               | DICHTUNG (GASADAPTER)<br>JUNTA (ADAPTADOR DE GAS)                             | DICHTING (GASADAPTER)<br>GUARNIZIONE ADATTATORE GAS                        | 0 |
| 0250 | 64980442   | PIPE (GAS INLET) stainless<br>TUYAU (ENTRÉE GAZ) acier inox.                 | ROHR (GASEINGANG) Edelstahl<br>TUBO (ENTRADA DE GAS) acero inox.              | PIJP (GASINLAAT) roestvrije staal<br>TUBO INGRESSO GAS acciaio             | 1 |
| 0271 | 64980678   | GASKET (BLOWER)<br>JOINT VENTILATEUR   | DICHTUNG, GEBLASE<br>JUNTA VENTILADOR   | DICHTING VENTILATOR<br>GUARNIZIONE VENTILATORE                             | 1 |
|      | 64980699   | GASKET (VENTILATOR)<br>JOINT VENTILATEUR                                     | DICHTUNG, GEBLASE<br>JUNTA VENTILADOR   | DICHTING VENTILATOR<br>GUARNIZIONE VENTILATORE                             | 1 |
| 0272 | 60001878   | O-RING 165 NBR 70 Sh 61.91x3,53<br>JOINT TORIQUE 165 NBR 70 Sh 61.9          | O-RING 165 NBR 70 Sh 61.91x3,53<br>O-RING 165 NBR 70 Sh 61.91x3,53            | O-RING 165 NBR 70 Sh 61.91x3,53<br>O-RING 165 NBR 70 Sh 61.91x3,53         | 1 |
| 0273 | 6500706500 | PIPE (GAS)<br>TUBE GAZ   | GASROHR<br>TUBO GAS   | GASBUIJS<br>TUBO GAS   | 1 |
| 0282 | 64980284   | GASKET 3/4 in th. 3 NBR TEFLON-YELLOW<br>JOINT EAU-GAZ 3/4 in ép.3 NBR       | DICHTUNG 3/4 in Dicke 3 NBR teflon gelb<br>JUNTA 3/4 in esp. 3 NBR            | AFDICHTING 3/4 in dikte 3 NBR<br>GUARNIZ.3/4 in NBR sp.3 teflon gial.      | 1 |
| 0284 | 6000086861 | SILENCER SPACER<br>ESPACEUR DE SILENCIEUX                                    | SCHALLDÄMPFER-ABSTANDSTÜCK<br>ESPACIADOR SILENCIADOR                          | GELUIDDEMPER SPACER<br>DISTANZIALE SILENZIATORE                            | 0 |
| 0312 | 64980209   | FLUE TEST PORT PLUG<br>BOUCHON DE PRISE FUMEE                                | STOPFEN ABGAS-U.ZULUFTMESS.KUNST.<br>TAPON TOMA HUMOS                         | STOP ROOKGASMEETNIPPELS<br>TAPPO ANALISI FUMI + O-RING                     | 1 |
| 0315 | 6500706800 | PANEL (L.H. SIDE) NC non-combi<br>PANNEAU LATERAL GAUCHE                     | MANTEL, SEITLICH, LINKS<br>PANEL LATERAL IZQDO                                | LINKERPANEEL<br>PANNELLO LATERALE SINISTRO                                 | 1 |

|      |  |  |    |  |    |  |    |
|------|---|---|----|---|----|---|----|
|      |   | EN  | FR | DE  | ES |   | NL |
|      | 6500706900  | PANEL (L.H. SIDE) NC Combi<br>PANNEAU LATERAL GAUCHE                              |    | MANTEL, SEITLICH, LINKS<br>PANEL LATERAL IZQDO                                      |    | LINKERPANEEL<br>PANNELLO LATERALE SINISTRO  | 1  |
| 0317 | 6500707000  | PANEL (NC FRONT)<br>PANNEAU FRONTAL   |    | MANTEL, VORN<br>PANEL FRONTAL   |    | VOORPANEL<br>MANTELLO FRONTALE  | 1  |
| 0318 | 6500706600  | PANEL (R.H. SIDE) NC non-combi<br>PANNEAU LATERAL DROIT                           |    | MANTEL, SEITLICH, RECHTS<br>PANEL LATERAL DCHO                                      |    | ZIJPANEEL RECHTS<br>PANNELLO LATERALE DESTRO  | 1  |
|      | 6500706700  | PANEL (R.H. SIDE) NC combi<br>PANNEAU LATERAL DROIT                               |    | MANTEL, SEITLICH, RECHTS<br>PANEL LATERAL DCHO                                      |    | ZIJPANEEL RECHTS<br>PANNELLO LATERALE DESTRO  | 1  |
| 0340 | 64980206  | ADAPTOR (AIR INLET)<br>ADAPTATEUR D'ENTRÉE D'AIR                                  |    | ADAPTER, LUFT EINGANG<br>ADAPTADOR DE ENTRADA DE AIRE                               |    | LUCHTINLAAT ADAPTER<br>ADATTATORE INGRESSO ARIA                                     | 1  |
| 0341 | 64980237  | SEAL GASKET OUTLET 80<br>JOINT DE SORTIE 80                                       |    | DICHTUNGSAusGANG 80<br>JUNTA DE SALIDA 80   |    | PAKKING UITLAAT 80<br>GUARNIZIONE D80 USCITA FUMI                                   | 1  |
| 0342 | 6500745700  | SEAL GASKET GAS IN-OUT ADAPTORS<br>JOINT GAS IN-OUT ADAPTORS                      |    | DICHTUNG GAS IN-OUT ADAPTORS<br>JUNTA GAS IN-OUT ADAPTORS                           |    | DICHTING GAS IN-OUT ADAPTORS<br>GUARNIZIONE GAS IN-OUT ADAPTORS                     | 1  |
| 0343 | 64980208  | FOAM FLUE GAS ADAPTOR<br>MOUSSE ADAPTAT.DE GAZ DE FUMÉE                           |    | DICHTUNG ABGASBOGEN<br>ESPUMA DE ADAPT.DE GASES DE GOMA                             |    | SCHUIMKANAALADAPTER<br>GUARNIZIONE COLLETTORE FUMI                                  | 1  |
| 0344 | 64980233  | TRAY CONDENS<br>PLATEAU CONDENS   |    | TABLETT KONDENSAT<br>BANDEJA CONDENS  |    | LADE CONDENS<br>VASSOIO CONDENSA  | 1  |
| 0345 | 64980210  | ADAPTOR (FLUE OUTLET)<br>ADAPTATEUR, SORTIE DE FUMÉE                              |    | ADAPTER, RAUCH AUSGANG<br>ADAPTADOR, SALIDA DE HUMO                                 |    | ADAPTER, ROOKUITGANG<br>ADATTATORE USCITA FUMI                                      | 1  |
| 0346 | 64980236  | O-RING SEAL 2,7X8,9 EPDM PEROX 70 Sh.<br>J-TORIQUE 2,7X8,9 EPDM PEROX 70Sh        |    | DICHTRING 2,7X8,9 EPDM PEROX 70 Sh.<br>JUNTA TORICA 2,7X8,9 EPDM perox 70 Sh.       |    | DICHTINGSRING 2,7X8,9 EPDM perox 70 Sh.<br>O-RING 2,7X8,9 EPDM PEROX 70 Sh.         | 1  |
| 0347 | 64980238  | DOOR LATCH<br>FERMETURE DU PANNEAU  |    | PANELSCHLISSUNG<br>CIERRE DEL PANEL   |    | PANEEL SLUITING<br>CHIUSURA MANTELLO  | 0  |
| 0349 | 6500605300  | BEZEL, DISPLAY SERIES II<br>PLASTRON  |    | EINSATZ<br>PLASTRON   |    | PLAAT<br>MOSTRINA   | 1  |
| 0379 | 64980674  | GASKET (CONDENSATE TRAP)<br>JOINT (SIPHON DE CONDENSATS)                          |    | DICHTUNG (KONDENSATFALL)<br>JUNTA (TRAMPA DE CONDENSADOS)                           |    | PAKKING (CONDENSATVOER)<br>GUARNIZIONE SIFONE                                       | 1  |
| 0380 | 6000084072  | LEG, LEVELER ASSMBLD, 3-8-16 X 1.5<br>LEG, LEVELER ASSMBLD, 3-8-16 X 1.5          |    | LEG, LEVELER ASSMBLD, 3-8-16 X 1.5<br>LEG, LEVELER ASSMBLD, 3-8-16 X 1.5            |    | LEG, LEVELER ASSMBLD, 3-8-16 X 1.5<br>LEG, LEVELER ASSMBLD, 3-8-16 X 1.5            | 0  |
| 0501 | 64980859  | GROUP (3 WAY VALVE-SYSTEM)<br>GROUPE VALVE 3 VOIES-SYSTEM                         |    | GRUPPE (3-WEGE-VENTIL-SYSTEM)<br>GRUPO VÁLVULA 3 VÍAS SYSTEM                        |    | GROEP (3 MANIEREN KLEP-SYSTEM)<br>GRUPPO VALVOLA 3 VIE                              | 5  |
|      | 64980860  | GROUP (3 WAY VALVE)<br>GROUPE DE VANNES À 3 VOIES                                 |    | GRUPPE (3-WEGE-VENTIL)<br>GRUPO DE VÁLVULAS DE 3 VÍAS                               |    | GROEP (3-WEGS KLEP)<br>GRUPPO VALVOLA 3 VIE   | 1  |
| 0505 | 64980862  | MOTOR (3-WAY VALVE) steel shaft Moons<br>MOTOR (3-way valve) steel shaft Moons    |    | MOTOR (3-way valve) steel shaft Moons<br>MOTOR (3-way valve) steel shaft Moons      |    | MOTOR (3-WAY VALVE) steel shaft Moons<br>MOTOR (3-way valve) steel shaft Moons      | 1  |
| 0507 | 64980203  | SANITARY HEAT EXCHANGER (27 P.)<br>ECHANGEUR SANITAIRE 27 PLAQUES                 |    | PLATTENWAERMETAUSCHER<br>INTERCAMBIADOR SANITARIO 27                                |    | WARMTEWISSELAAR SANITAIR 27 PLATEN<br>SCAMBIATORE SANITARIO 27 PIASTRE              | 1  |
| 0508 | 65121175  | SENSOR (NTC)<br>SENSOR (NTC)  |    | SENSOR (NTC)<br>SENSOR (NTC)  |    | SENSOR (NTC)<br>SONDA NTC   | 1  |
| 0510 | 64980861  | 3-WAY VALVE (motor moons+cartdr.)<br>3-WAY VALVE (motor moons+cartdr.)            |    | 3-WAY VALVE (MOTOR MOONS+CARTDR.)<br>3-WAY VALVE (motor moons+cartdr.)              |    | 3-WAY VALVE (MOTOR MOONS+CARTDR.)<br>3-WAY VALVE (motor moons+cartdr.)              | 1  |
| 0511 | 65104339  | CLIP D:12<br>CLIP D:12  |    | SICHERHEITSSPLINT D20<br>CLIP D:12  |    | KLEM D:12<br>CLIP D:12  | 1  |
| 0551 | 64980156  | PIPE (C.H. OUTLET)<br>TUBE DEPART CHAUFFAGE                                       |    | VORLAUFROHR<br>TUBO ENVÍO   |    | BUIS VERTREK VERWARMING<br>TUBO MANDATA   | 0  |
| 0555 | 64980186  | CLIP (BY-PASS PIPE-SYSTEM)<br>CLIP (TUYAU BY-PASS)                                |    | CLIP (BY-PASS-ROHR)<br>CLIP TUBO BY-PASS  |    | CLIP (BY-PASS BUIS)<br>CLIP TUBO BY-PASS  | 1  |
| 0556 | 64980202  | O-RING 13.95 X 2.62<br>JOINT TORIQUE D: 13.95 X 2.62                              |    | NDDICHTRING D: 13.95 X 2.62<br>JUNTA TORICA D: 13.95 X 2.62                         |    | DICHTINGSRING D: 13.95 X 2.62<br>ANELLO OR 13.95 X 2.62                             | 1  |
| 0558 | 64980187  | BY-PASS PIPE<br>TUBE BY-PASS  |    | BYPASS-ROHR<br>TUBO BY-PASS   |    | BUIS BY-PASS<br>TUBO BY-PASS  | 0  |
|      | 64980197  | BY-PASS PIPE<br>TUBE BY-PASS  |    | BYPASS-ROHR<br>TUBO BY-PASS   |    | BUIS BY-PASS<br>TUBO BY-PASS  | 1  |
| 0562 | 64980701  | GASKET 1 in ( AFM34/2 REINZ)<br>JOINT 1" AFM34/2                                  |    | DICHTUNG 1 Z, AFM34/2<br>JUNTA 1" AFM34/2   |    | AFDICHTING 1", AFM34/2<br>GUARNIZIONE ACQUA-GAS 1" AFM34/2                          | 10 |
| 0568 | 65114928  | EXCHANGER GASKET<br>JOINT ECHANGEUR   |    | DICHTUNG WAERMETAUSCHER<br>JUNTA INTERCAMBIADOR                                     |    | DICHTING WISSELAAR<br>GUARNIZIONE SCAMBIATORE                                       | 5  |
| 0570 | 64980188  | CONNECTION M 3/4 NPT - M 3/4 G<br>RACCORD M 3/4 NPT - M 3/4 G                     |    | ANSCHLUSS M 3/4 NPT - M 3/4 G.<br>CONEXIÓN M 3/4 NPT - M 3/4 G                      |    | AANSluitING M 3/4 NPT - M 3/4 G<br>RACCORDO M 3/4 NPT - M 3/4 G                     | 1  |
| 0585 | 573520  | GASKET 3/4 INCH (AFM34/2 REINZ)<br>JOINT 3/4 PO. AFM34/2 REINZ                    |    | DICHTUNG 3/4 ZOLL AFM34/2 REINZ<br>JUNTA 3/4 PUL. AFM34/2 REINZ                     |    | AFDICHTING 3/4 INCH AFM34/2 REINZ<br>GUARNIZ.ACQUA-GAS 3/4 PO. AFM34/2              | 10 |
| 0591 | 64980250  | GASKET (HYDROBLOCK)<br>JOINT HYDROBLOC  |    | DICHTUNG (HYDROBLOCK)<br>JUNTA (HIDROBLOQUE)  |    | DICHTING (HYDROBLOCK)<br>GUARNIZIONE GRUPPO IDRAULICO                               | 0  |
| 0592 | 64980189  | PIPE (CH OUTLET)<br>TUBE DEPART CHAUFFAGE   |    | VORLAUFROHR<br>TUBO ENVÍO   |    | BUIS VERTREK VERWARMING<br>TUBO MANDATA   | 0  |
| 0593 | 64980194  | GROUP (DHW OUTLET)<br>HAUSWASSERAUSGANGSGRUPPE                                    |    | HAUSWASSERAUSGANGSGRUPPE<br>GRUPO SALIDA DE AGUA CAL.SANIT.                         |    | GROEP (SHW OUTLET)<br>GRUPPO USCITA ACQUA SANITARIA                                 | 1  |
| 0601 | 64980221  | GROUP (PUMP-COMBI)<br>GROUPE POMPE  |    | PUMPENGRUPPE<br>GRUPO DE BOMBA  |    | GROEP (POMP)<br>GRUPPO POMPA  | 1  |
|      | 6500682300  | GROUP (PUMP)<br>GROUPE POMPE  |    | PUMPENGRUPPE<br>GRUPO DE BOMBA  |    | GROEP (POMP)<br>GRUPPO POMPA  | 1  |

|      |            | EN   | DE  | NL  |    |
|------|------------|--|---|---|----|
|      |            | FR   | ES  | IT  |    |
| 0602 | 65115793   | PRESSURE SWITCH (PROPORTIONAL)<br>DETECTEUR PROPORTIONNEL                | DRUCKWAECHTER-MINIMAL<br>PRESOSTATO PROPORCIONAL                              | WATERDRUKSENSOR<br>PRESSOSTATO PROPORZIONALE                            | 1  |
| 0604 | 6500706000 | PUMP ES2 3VK 63-7C-C US<br>POMPE ES2 3VK 63-7C-C US                      | PUMPE ES2 3VK 63-7C-C US<br>BOMBA ES2 3VK 63-7C-C US                          | POMP ES2 3VK 63-7C-C US<br>POMPA ES2 3VK 63-7C-C US                     | 1  |
| 0607 | 64980195   | FLOW METER<br>CARTOUCHE DEBIMETRE KIT                                    | UMSCHALTER HEIZUNG / SANITAR<br>KIT OBTURADOR CALEFAC./SANIT.                 | DEBIETMETER FLOW SWITCH SANITAIR<br>FLUSSOSTATO SANITARIO               | 1  |
| 0611 | 64980196   | DHW FLOW RESTRICTORS (KIT)<br>LIMITEURS DE DEBIT KIT                     | TUELLESET<br>REDUCTOR (KIT)   | DEBIETBEGRENZER (KIT)<br>IMITATORI DI PORTATA (KIT)                     | 1  |
| 0616 | 64980266   | DHW FILTER<br>FILTRE À EAU   | WASSERFILTER<br>FILTRO DE AGUA  | WATER FILTER<br>FILTRO ACQUA  | 1  |
| 0618 | 64980220   | GROUP (COLD WATER INLET)<br>GROUPE D'ENTRÉE D'EAU FROIDE                 | GRUPPE (KALTWASSER EINLASS)<br>GRUPO DE ENTRADA DE AGUA FRÍA                  | INLAATGROEP KOUD WATER<br>GRUPPO ENTRATA ACQUA FREDDA                   | 1  |
| 0622 | 64980204   | BY-PASS<br>BY-PASS   | BY-PASS<br>BY-PASS  | BY-PASS<br>BY-PASS  | 1  |
| 0651 | 64980155   | PIPE (C.H. RETURN)<br>TUBE RETOUR CHAUFFAGE                              | RUCKLAUFROHR<br>TUBO RETORNO INSTALACION                                      | BUIS RETOUR VERWARMING<br>TUBO RITORNO                                  | 0  |
| 0664 | 65104322   | CLIP<br>CLIP   | KLAMMER PUMPE<br>CLIP   | KLEM<br>CLIP  | 1  |
| 0670 | 990686-01  | TEMPERATURE PROBE + CLIP<br>SONDE NTC + CLIPS KIT                        | NTC-SONDE MIT CLIPS KIT<br>SONDA NTC + CLIPS KIT                              | VOELER NTC + KLEM KIT<br>SONDA NTC + CLIPS KIT                          | 1  |
| 0672 | 64980200   | CLIP (FLOW METER)<br>CLIP INTERRUPTEUR DE DÉBIT                          | CLIP (DURCHFLUSSSCHALTER)<br>CLIP INTERRUPTOR DE FLUJO                        | CLIP (STROOMSCHAKELAAR)<br>CLIP FLUSSIMETRO                             | 1  |
| 0682 | 64980701   | GASKET 1 in ( AFM34/2 REINZ)<br>JOINT 1" AFM34/2                         | DICHTUNG 1 Z, AFM34/2<br>JUNTA 1" AFM34/2                                     | AFDICHTING 1", AFM34/2<br>GUARNIZIONE ACQUA-GAS 1" AFM34/2              | 10 |
| 0695 | 573520     | GASKET 3/4 INCH (AFM34/2 REINZ)<br>JOINT 3/4 PO. AFM34/2 REINZ           | DICHTUNG 3/4 ZOLL AFM34/2 REINZ<br>JUNTA 3/4 PUL. AFM34/2 REINZ               | AFDICHTING 3/4 INCH AFM34/2 REINZ<br>GUARNIZ.ACQUA-GAS 3/4 PO. AFM34/2  | 10 |
| 0696 | 64980250   | GASKET (HYDROBLOCK)<br>JOINT HYDROBLOC                                   | DICHTUNG (HYDROBLOCK)<br>JUNTA (HIDROBLOQUE)                                  | DICHTING (HYDROBLOCK)<br>GUARNIZIONE GRUPPO IDRAULICO                   | 0  |
| 0697 | 65114928   | EXCHANGER GASKET<br>JOINT ECHANGEUR                                      | DICHTUNG WAERMETAUSCHER<br>JUNTA INTERCAMBIADOR                               | DICHTING WISSELAAR<br>GUARNIZIONE SCAMBIATORE                           | 5  |
| 0698 | 64980202   | O-RING 13.95 X 2.62<br>JOINT TORIQUE D: 13.95 X 2.62                     | NDDICHTUNG D: 13.95 X 2.62<br>JUNTA TORICA D: 13.95 X 2.62                    | DICHTINGSRING D: 13.95 X 2.62<br>ANELLO OR 13.95 X 2.62                 | 1  |
| 0702 | 6500707100 | NC Lower Return Pipe (water)<br>TUYAU INFÉRIEUR DE REPART/RETOUR         | ROHR (VORLAUF-/RUCKLAUF) - UNTERES<br>TUBO (ENTRADA/RETORNO INFERIOR)         | BUIS (LAGERE LEVERING/RETOUR)<br>TUBO MANDATA/RITORNO INFERIORE         | 1  |
| 0703 | 6500707200 | PIPE (LL HEADER-RETURN PIPE)<br>TUYAU (HEADER-TUYAU DE RETOUR)           | ROHOR (HEADER-RÜCKLAUFSCHLAUCH)<br>MANGUERA (header-manguera de retor.)       | BUIS (HEADER-RETOURSLANG)<br>TUBO (HEADER - TUBO RITORNO)               | 1  |
| 0704 | 6500707300 | PIPE LL-HEADER SUPPLY PIPE<br>TUYAU (HEADER-TUYAU DEPART)                | ROHOR (HEADER-VORLAUFROHR)<br>TUBO (HEADER-TUBO ENVÍO)                        | BUIS (HEADER-BUIS VERTREK)<br>TUBO (HEADER - TUBO MANDATA)              | 1  |
| 0705 | 6500707500 | PIPE (DHW SUPPLY-RETURN SHORT)<br>TUYAU (admission ecs-retour) COURT     | ROHOR (www-einlass-rücklauf) KURZ<br>MANGUERA CORTA (entr.-retor.agua) SANIT. | BUIS (SWW-INLAAT-RETOUR) KORT<br>TUBO ENTR.ACQUA SANIT.-RIT.CORTO       | 1  |
| 0706 | 6500707600 | PIPE (DHW SIDE SUPPLY/RETURN)<br>TUYAU (DÉPART/RETOUR D'EAU ECS)         | ROHOR (warmwasserzulauf/rücklauf)<br>MANGUERA (envío/retorno de agua ecs)     | BUIS (TOEVOER/RETOUR SWWWATER)<br>TUBO MAND./RITOR.ACQUA SANIT.         | 1  |
| 0707 | 573520     | GASKET 3/4 INCH (AFM34/2 REINZ)<br>JOINT 3/4 PO. AFM34/2 REINZ           | DICHTUNG 3/4 ZOLL AFM34/2 REINZ<br>JUNTA 3/4 PUL. AFM34/2 REINZ               | AFDICHTING 3/4 INCH AFM34/2 REINZ<br>GUARNIZ.ACQUA-GAS 3/4 PO. AFM34/2  | 10 |
| 0708 | 64980719   | ISOLATION VALVE, 1 1/4" M BSPP<br>VANNE D'ISOLEMENT 1 1/4" M BSPP        | ISOLATION VENTIL, 1 1/4" Z M BSPP<br>VÁLVULA DE AISLAM.1 1/4" M BSPP          | ISOLATIEKLEP, 1 1/4" M BSPP<br>RUBINETTO DI ISOLAM.1 1/4" M BSPP        | 1  |
| 0709 | 6500709500 | PIPE (CH SUPPLY RETURN)<br>TUYAU (DEPART/RETOUR CHAUFFAGE)               | ROHR (HEIZUNG VOR/RÜCKLAUF)<br>TUBO DE ENVÍO/RETOR.DE CALEFAC.                | BUIS (VERWARMING LEVERING/RETOUR)<br>TUBO MAND./RITORNO RISCALDAM.      | 1  |
| 0711 | 6500709600 | GASKET 1-1/4 IN (REINZ AFM 34/2)<br>JOINT PLAT 1-1/4 IN (REINZ AFM 34/2) | DICHTUNG 1-1/4 IN (REINZ AFM 34/2)<br>JUNTA 1-1/4 IN (REINZ AFM 34/2)         | DICHTING 1-1/4 IN (REINZ AFM 34/2)<br>GUARNIZ.1-1/4 IN (REINZ AFM 34/2) | 1  |
| 0712 | 6000087105 | CAP, BRASS 3-4 STRAIGHT<br>CAP, BRASS 3-4 STRAIGHT                       | CAP, BRASS 3-4 STRAIGHT<br>CAP, BRASS 3-4 STRAIGHT                            | CAP, BRASS 3-4 STRAIGHT<br>CAP, BRASS 3-4 STRAIGHT                      | 0  |
| 0713 | 6500708000 | CAP (BRASS 1.25 BSSP)<br>BOUCHON EN LAITON 1.25 BSSP                     | MESSINGKAPPE 1,25 BSSP<br>TAPA LATON 1.25 BSSP                                | MESSING KAP 1,25 BSSP<br>TAPPO OTTONE 1,25 BSSP                         | 1  |
| 0801 | 998382     | GROMMET(PCD TOOL ACCESS)<br>JOINT ENTREE REGULATION                      | GUMMIABDECKUNG POTENTIOMETER<br>JUNTA   | DICHTING<br>GOMMINO ACCESSO REGOLAZIONE                                 | 5  |
| 0804 | 65112054   | CARD FIXING WASHER<br>RONDELLE FIXATION CARTE                            | SCHEIBE<br>ARANDELA DE FIJACION DE TARJET.                                    | KAARTBEVESTIGINGSWASMACHINE<br>RONDELLA FISSAGGIO SCHEDA                | 1  |
| 0814 | 64980075   | CONTROL PANEL BASE<br>PORTE INSTRUMENTS                                  | INSTRUMENTENHALTER<br>FRONTAL   | BEHUIZING BEDIENINGSPANEEL<br>PORTASTRUMENTI                            | 1  |
| 0815 | 6500604600 | P.C.B. (MAIN)<br>CIRCUIT IMPRIME PRINCIPAL                               | ELEKTROHAUPTPLATINE<br>CIRCUITO PRINCIPAL                                     | PRINTKAART<br>SCHEDA PRINCIPALE   | 1  |
| 0816 | 6500604400 | P.C.B. (DISPLAY) SERIES II<br>CIRCUIT IMPRIME D'AFFICHAGE                | DISPLAYPLATINE<br>CIRCUITO DISPLAY  | PRINT DISPLAY<br>SCHEDA DISPLAY   | 1  |
| 0819 | 6500670000 | WIRING (WIFI)<br>CÂBLAGE (WIFI)  | VERKABELUNG (WIFI)<br>CABLEADO (WIFI)   | BEDRADING (WIFI)<br>CABLAGGIO WIFI                                      | 1  |
| 0824 | 64980402   | CONTROL PANEL COVER<br>COUVERCLE ARR.TABLEAU COMMAN.                     | RUCKWARTIGER DECKEL, FRONTBLLENDE<br>TAPA POSTER.PANEL DE MANDOS              | HOUDER STUURPRINT<br>COPERCHIO BOX                                      | 1  |
| 0841 | 6500604500 | DIAL, SERIES II DISPLAY<br>BOUTON DU SELECTEUR                           | DREHKNOFF<br>MANDO  | KNOP<br>MANOPOLA  | 1  |
| 0842 | 64980234   | CONTROL PANEL HINGE (R.H.Side)<br>SUPPORT (droit)                        | TRAGER<br>SOPORTE   | SUPPORT<br>SUPPORTO DX  | 1  |

|      |  | EN  |  | DE   |  | NL   |  |  |
|------|---|---|--|--|--|--|--|---|
|      |   | FR  |  | ES   |  | IT   |  |   |
| 0843 | 64980235  | CONTROL PANEL HINGE (L.H.Side)<br>SUPPORT (gauche)                                  |  | TRAGER<br>SOPORTE  |  | SUPPORT<br>SUPPORTO SX   |  | 1   |
| 0851 | 6500679900  | CONTROL PANEL<br>TABLEAU DE COMMANDE  |  | FRONTBLLENDE<br>FRONTAL  |  | BEDIENINGSPANEEL<br>FRONTALINO   |  | 1   |
| 0880 | 64980080  | CABLE (SPARK GENERATOR)<br>CÂBLE (GÉNÉRATEUR D'ÉTINCELLES)                          |  | KABEL (ZUNDTRAFO)<br>CABLE (GENERADOR DE CHISPA)                                   |  | KABEL (VONKENGEBERATOR)<br>CABLAGGIO ACCENDITORE                               |  | 1   |
|      | 64980097  | CABLE (DETECTION ELECTRODE)<br>CABLAGE ELECTRODE IONISATION                         |  | IONISATIONS KABEL<br>CABLE ELECTRODO DE DETECCION                                  |  | CABLE (DETECTION ELECTRODE)<br>CAVO ELETTRODO RILEVAZIONE                      |  | 1   |
|      | 64980109  | GAS VALVE CABLE<br>CABLAGE VANNE GAZ  |  | KABEL ZUNDER<br>CABLEADO VALVULA GAS   |  | BEDRADING GASBLOK<br>CABLAGGIO VALVOLA GAS                                     |  | 1   |
|      | 64980248  | CABLE (BOILER POWER SUPPLY)<br>CABLE (ALIMENTAT.DE LA CHAUD.)                       |  | KABEL (KESSEL-STROMVERSORGUNG)<br>CABLE DE ALIMENT.DE LA CALDERA                   |  | KABEL (STROOMVOORZIENING)<br>CAVO ALIMENTAZIONE CALDAIA                        |  | 1   |
|      | 64980249  | BLOWER POWER PIGTAIL (nrg118 to nrg 128)<br>ADAPTAT.DE CABLE DE VENTILAT.(118->128) |  | KABEL (ventilator-stromversorgung)<br>CABLE DE ALIMENTAC.DE VENTILAD.              |  | VENTILATOR KABEL ADAPT.(nrg118->nrg128)<br>CAVO ADATTATORE VENTILATORE         |  | 1   |
|      | 6500666100  | 3-WAY VALVE CABLE<br>CABLAGE VANNE 3 VOIES  |  | KABEL 3-WEGEVENTIL<br>CABLEADO VALVULA DE TRES VIAS                                |  | BEDRADING DRIEWEG KLEP<br>CABLAGGIO VALVOLA A 3 VIE                            |  | 1   |
|      | 6500669800  | WIRING (PUMP)<br>CÂBLAGE (POMPE)  |  | VERKABELUNG (PUMPE)<br>CABLEADO (BOMBA)  |  | BEDRADING (POMP)<br>CABLAGGIO POMPA  |  | 1   |
|      | 6500669900  | CABLE (JUNCTION BOX POWER SUPPLY)<br>CÂBLE (aliment.de la boîte de jonction)        |  | KABEL (anschlusskasten-stromversorgung)<br>CABLE DE ALIMENT.(caja de conexion.)    |  | KABEL (AANSLUITKAST VOEDING)<br>CAVO ALIMENTAZIONE JUNCTION BOX                |  | 1   |
|      | 6500670100  | 3-WAY VALVE CABLE<br>CABLAGE VANNE 3 VOIES  |  | KABEL 3-WEGEVENTIL<br>CABLEADO VALVULA DE TRES VIAS                                |  | BEDRADING DRIEWEG KLEP<br>CABLAGGIO VALVOLA A 3 VIE                            |  | 1   |
|      | 6500670200  | CABLE (FAN-POWER SUPPLY)<br>CABLE (alimentation de ventilateur)                     |  | KABEL (ventilator-stromversorgung)<br>CABLE DE ALIMENT.DE VENTILADOR               |  | KABEL (FAN-VOEDING)<br>CAVO ALIMENTAZIONE VENTILATORE                          |  | 1   |
|      | 6500680100  | CABLE (PWM)<br>CABLAGE PWM  |  | VERBINDUNG PWM<br>CABLEADO PWM   |  | KABEL PWM<br>CABLAGGIO PWM   |  | 1   |
|      | 6500689400  | WIRING (flue sens.-aps-del./return ntc)<br>CÂBLE (sonde fumées-pressost.air-sonde)  |  | KABEL (rauchsonde-luftdrucksch.-sonden)<br>CABLE (sonda humos-presost.aire-sondas) |  | KABEL (rooksonde-luchtdrukschak.-sondes)<br>CAVO SENS.FUMI-PRESS.TO ARIA-SONDE |  | 1   |
|      | 6500719800  | DISPLAY WIRING - 5 WIRES BLACK L=1000<br>CÂBLE AFFICHEUR-5 FILS NOIR L=1000         |  | KABEL DISPLAY 5P L=1000<br>CABLE DISPLAY-5 cables negro L=1000                     |  | BEDRADING DISPLAY L=1000<br>CAVO DISPLAY - 5 CAVI NERI L=1000                  |  | 1   |
|      | 65118695  | CABLE (PUMP 5M PWM TACO)<br>CABLE POMPE 5M PWM TACO                                 |  | VERKABELUNG PUMPE 5M PWM TACO<br>CABLEADO BOMBA 5M PWM TACO                        |  | BEDRADING POMP 5M PWM TACO<br>CAVO POMPA 5M PWM TACO                           |  | 1   |
| 0881 | 65111933  | CONNECTOR 2P<br>CONNECTEUR 2 POLES  |  | STECKER 2 POL. RAST 5<br>CONECTOR 2P   |  | STEKKER 2-POLIG<br>CONNETTORE 2 POLI   |  | 5   |
| 0882 | 65119782  | FUSE 5X20 RIT. 5 A 250V<br>FUSIBLE 5X20 RIT. 5 A 250V                               |  | SICHERUNG 5X20 RIT. 5 A 250V<br>FUSIBLE 5X20 RIT. 5 A 250V                         |  | ZEKERING 5X20 RIT. 5 A 250V<br>FUSIBILE 5X20 RIT. 5 A 250V                     |  | 1   |
| 0883 | 6500604900  | GROMMET<br>CAPSULE ENTREE CABLES  |  | KABELEINGANGSGUMMISCHLEIBE<br>GOMA ENTRADA CABLES                                  |  | KABELDOORVOER RUBBER<br>GOMMINO  |  | 1   |
| 0885 | 6500605900  | JUNCTION BOX BASE<br>COUVERCLE FIXE (BOITE DE JONCTION)                             |  | FESTE ABDECKUNG (JUNKTIONSKASTEN)<br>CUBIERTA FIJA (CAJA DE JUNTOS)                |  | VASTE COVER (VERBINDINGSBOX)<br>FONDO JUNCTION BOX                             |  | 1   |
| 0886 | 6500605800  | JUNCTION BOX COVER<br>COUVERCLE (BOITE DE JONCTION)                                 |  | ABDECKUNG (JUNKTIONSKASTEN)<br>CUBIERTA (CAJA DE JUNTOS)                           |  | DEKKING (JUNCTION BOX)<br>COPERCHIO JUNCTION BOX                               |  | 1   |
| 0888 | 6500605700  | P.C.B. (JUNCTION BOX)<br>CIRCUIT CLIP-IN 2 ZONES                                    |  | LEITERPLATTE CLIP-IN 2 ZONES<br>CIRCUITO ELECTR.CLIP-IN 2 ZONES                    |  | PRINTKAART (CLIP IN 2 ZONES)<br>SCHEDA CLIP-IN 2 ZONE                          |  | 1   |
| 0889 | 6500771200  | P.C.B. (WIFI-REM4)<br>CIRCUIT IMPRIME REM 4   |  | ELEKTROPLATINE (REM4)<br>CIRCUITO REM4   |  | PRINTKAART REM4<br>SCHEDE REM4   |  | 1   |
| 0890 | 65103377  | CABLE CLAMP<br>PASSE CABLE PRESSOSTAT   |  | KABELKLEMME<br>SUJETA-CABLE  |  | KABELDOORVOER DRUKSCHAKELAAR<br>PRESSACAVO                                     |  | 1   |
| 5001 | 6500690100  | CONVERSION KIT (85-->110 KW - LP)<br>CONVERSION KIT (85-->110 KW - LP)              |  | CONVERSION KIT (85-->110 KW - LP)<br>CONVERSION KIT (85-->110 KW - LP)             |  | CONVERSION KIT (85-->110 KW - LP)<br>TRASFORMAZ.GAS GPL 85-->110KW             |  | 1   |
|      | 6500690300  | CONVERSION KIT (150 KW - LP)<br>CONVERSION KIT (150 KW - LP)                        |  | CONVERSION KIT (150 KW - LP)<br>CONVERSION KIT (150 KW - LP)                       |  | CONVERSION KIT (150 KW - LP)<br>TRASFORMAZIONE GAS GPL 150KW                   |  | 1   |
|      | 6500690600  | CONVERSION KIT (199 KW - LP)<br>CONVERSION KIT (199 KW - LP)                        |  | CONVERSION KIT (199 KW - LP)<br>CONVERSION KIT (199 KW - LP)                       |  | CONVERSION KIT (199 KW - LP)<br>TRASFORMAZIONE GAS GPL 199KW                   |  | 1   |
| 5002 | 64980218  | OUTDOOR SENSOR<br>SONDE EXTERIEURE FILAIRE  |  | AUSSENFUEHLER<br>SONDA ESTERNA CON CABLES  |  | BUITENVOELER<br>SONDA ESTERNA CON CAVI   |  | 1   |
| 5003 | 65118683  | PRESSURE RELIEF VALVE<br>SOUPAPE DE SECURITE  |  | SICHERHEITSVENTIL<br>VALVULA DE SEGURIDAD  |  | VEILIGHEIDSGROEP<br>VALVOLA DI SICUREZZA                                       |  | 1   |
| 5005 | 6000083991  | 3 CPVC SYS 636, 5 LONG<br>3 CPVC SYS 636, 5 LONG                                    |  | 3 CPVC SYS 636, 5 LONG<br>3 CPVC SYS 636, 5 LONG                                   |  | 3 CPVC SYS 636, 5 LONG<br>3 CPVC SYS 636, 5 LONG                               |  | 0   |
| 5010 | 65118685  | PRESSURE/TEMPERATURE GAUGE<br>MANOMETRE / THERMOMETRE                               |  | THERMOHYDROMETER<br>TERMOMANOMETRO   |  | MANOMETER - THERMOMETER<br>TERMIDROMETRO                                       |  | 1   |
| 5022 | 6500707700  | INSTALLATION KIT (NC085-110/c)<br>INSTALLATION KIT                                  |  | INSTALLATION KIT<br>INSTALLATION KIT   |  | INSTALLATION KIT<br>KIT INSTALLAZIONE  |  | 1   |
|      | 6500707800  | INSTALLATION KIT (NC150/c)<br>INSTALLATION KIT                                      |  | INSTALLATION KIT<br>INSTALLATION KIT   |  | INSTALLATION KIT<br>KIT INSTALLAZIONE  |  | 1   |
|      | 6500707900  | INSTALLATION KIT (NC199/c)<br>INSTALLATION KIT                                      |  | INSTALLATION KIT<br>INSTALLATION KIT   |  | INSTALLATION KIT<br>KIT INSTALLAZIONE  |  | 1   |
| 5023 | 64980211  | ROUND MESH,VENT SCREEN (2.25 in)<br>MAILLE RONDE, ÉCRAN D'ÉVENT (2,25 in)           |  | RUNDES MESH, ENTLÜFT.SBILDSCH.(2,25 in)<br>MALLA REDON., PANTAL.DE VENT.(2,25 in)  |  | RONDE MESH, VENT-SCHERM (2,25 in)<br>PROTEZIONE SCARICO FUMI (2,25 in)         |  | 1   |
| 5025 | 64980212  | ROUND MESH, VENT SCREEN (3.375 in)<br>MAILLE RONDE, ÉCRAN D'ÉVENT (3,375 in)        |  | RUNDES MESH, ENTLÜFT.SBILDSCH.(3,375 in)<br>MALLA RED., PANTAL.DE VENT.(3,375 in)  |  | RONDE MESH, VENT-SCHERM (3,375 in)<br>PROTEZIONE SCARICO FUMI (3,375 in)       |  | 0   |

| ☺    | XXXXXXX    | EN   | DE   | NL   | X |
|------|------------|--|--|--|---|
|      |            | FR   | ES   | IT   |   |
| 5031 | 64980098   | GAS VENT DIRECTLY BELOW DECAL<br>PLAQUE D'AVERTISS.POUR ÉVENT DE GAZ     | WARNSCHILD FÜR GASENTLÜFTUNG<br>PLACA DE ADVERT.PARA VENTILAC.           | WAARSCHUWINGSPL.VOOR GASONTLUCHT.<br>TARGHETTA AVVERTENZA GAS VENT       | 0 |
| 5032 | 65117092   | PLASTIC PIPE CONDENSATE DRAIN<br>TUBE CONDENSÉ EN PLASTIQUE              | ROHRKONDENSATION, KUNSTSTOFF<br>TUBO DE PLÁSTICO CONDENSA                | LEIDING CONDENS KUNSTSTOF<br>TUBO PLASTICA CONDENSA                      | 1 |
| 5046 | 6500708100 | TEE STRAIGHT 1.25IN X 0.5IN<br>RACCORD EN T 1.25INX0.5 in                | T-ANSCHLUSS 1,25INX0,5 in<br>MONTAJE EN T 1.25INX0.5 in                  | T-FITTING 1,25INX0,5 in<br>RACCORDO T 1,25INX0,5IN                       | 1 |
| 5047 | 6000084072 | LEG, LEVELER ASSMBLD, 3-8-16 X 1.5<br>LEG, LEVELER ASSMBLD, 3-8-16 X 1.5 | LEG, LEVELER ASSMBLD, 3-8-16 X 1.5<br>LEG, LEVELER ASSMBLD, 3-8-16 X 1.5 | LEG, LEVELER ASSMBLD, 3-8-16 X 1.5<br>LEG, LEVELER ASSMBLD, 3-8-16 X 1.5 | 0 |
| 5048 | 6500719300 | ACCESSORIES KIT SPARE WATER GASK.<br>KIT D'ÉTANCHÉITÉ                    | DICHTUNGSSATZ<br>KIT DE SELLO  | VERZEGELSET<br>KIT GUARNIZIONI   | 1 |
| 5049 | 6500452800 | KIT JUMPER WIRES, NC Series<br>KIT, FILS DE CAVALIER                     | KIT, ÜBERBRINGUNGSKABEL<br>KIT, CABLES DE PUENTE                         | SET, STARTDRADEN<br>KIT CAVI JUMPER                                      | 1 |
|      |            |  |  |  |   |
|      |            |  |  |  |   |
|      |            |  |  |  |   |
|      |            |  |  |  |   |
|      |            |  |  |  |   |
|      |            |  |  |  |   |
|      |            |  |  |  |   |
|      |            |  |  |  |   |
|      |            |  |  |  |   |
|      |            |  |  |  |   |
|      |            |  |  |  |   |
|      |            |  |  |  |   |
|      |            |  |  |  |   |
|      |            |  |  |  |   |
|      |            |  |  |  |   |
|      |            |  |  |  |   |
|      |            |  |  |  |   |
|      |            |  |  |  |   |
|      |            |  |  |  |   |
|      |            |  |  |  |   |
|      |            |  |  |  |   |
|      |            |  |  |  |   |

NC085-199(C) COMPASS

Gas-standing condensing boiler

---

## IDENTIFICATION PLATE

### SERIAL NUMBER

**16 Characters :**

21 03 31 20 XX 153101  
 Fixed reference      Month of manufacture      Day of manufacture      Sequential number      Year of manufacture

**21 Characters :**

3675007 XX 07 070 0000315  
 Product reference      Year of manufacture      Sequential number      Manufacturing day

---

The indications mentioned on the prices, commercial or technical literature and the scheme are written for your guidance and are available at a given time. The CONSTRUCTOR retains the power to modify the presentation, the form, the size, the conception or the material of the products.

---