



# SPARE PARTS EXPLODED VIEW GAS-WALL CONDENSING BOILERS

Model

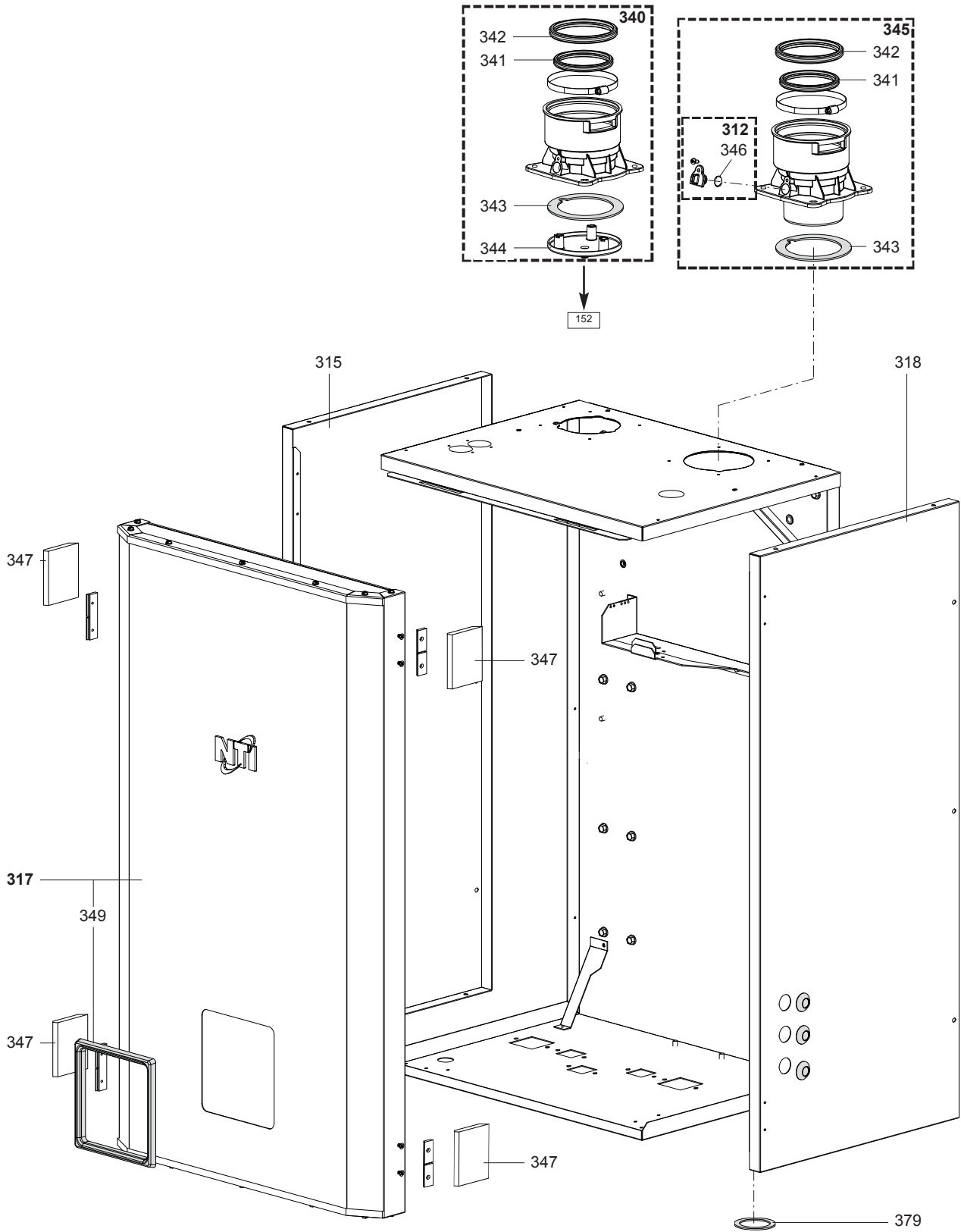
## **FTVN (C) SERIES II**

R8219261-02 - 10/10/2024

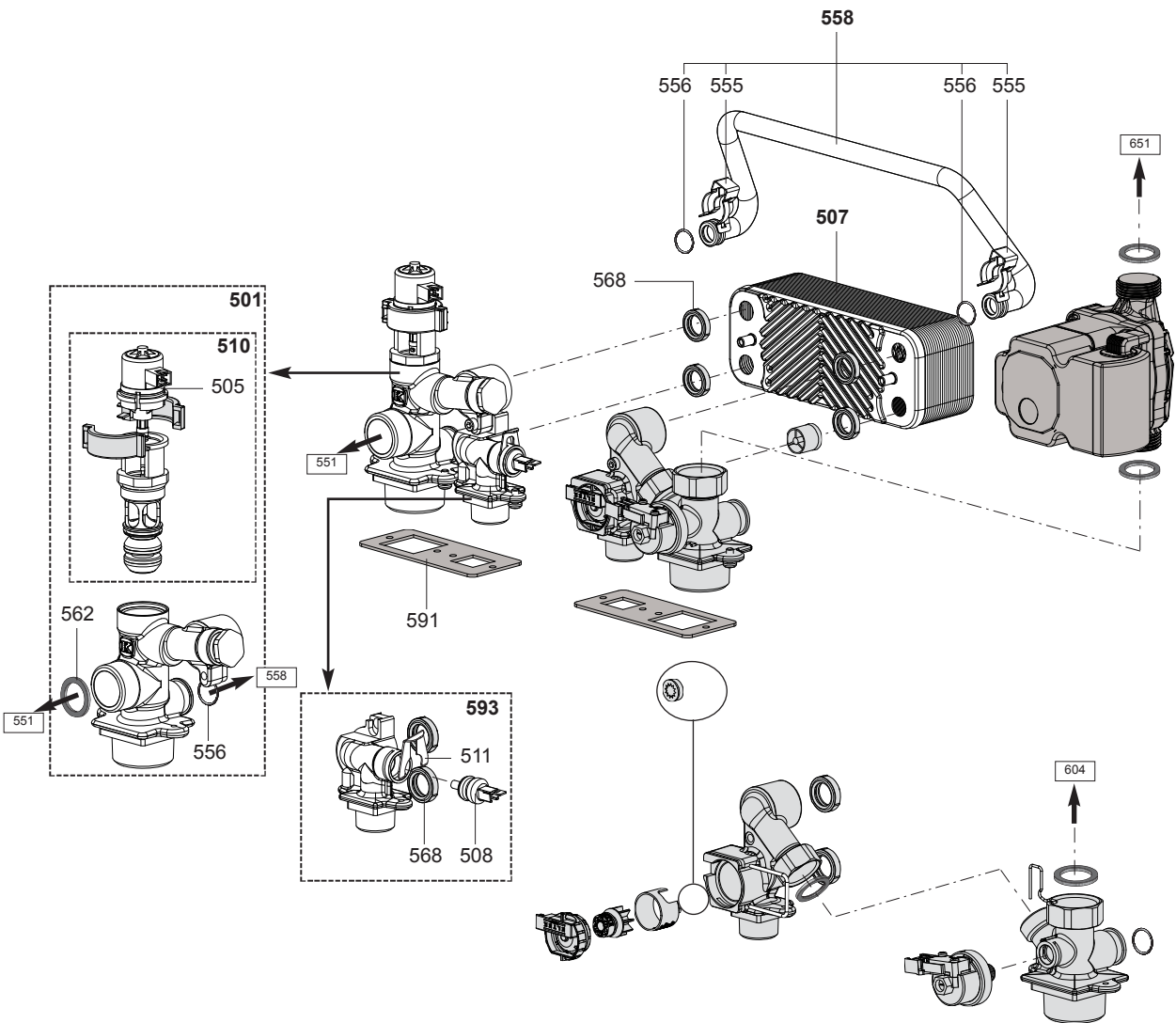
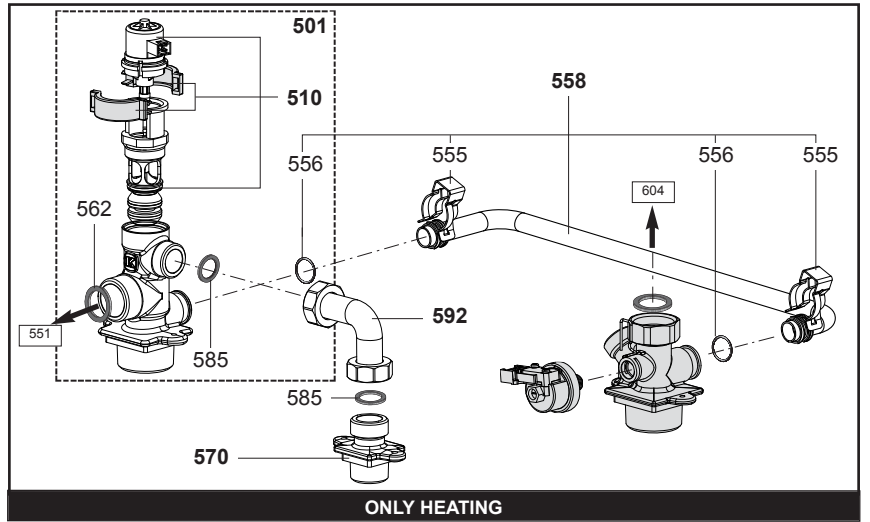
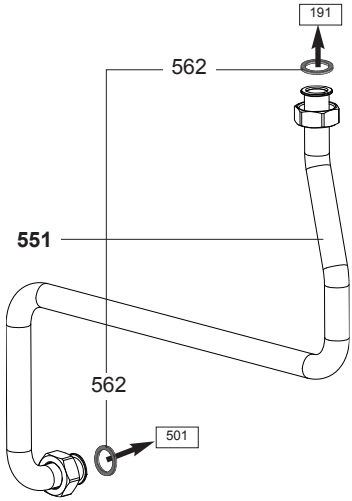
| 1   | 3314309   | FTVN085 SERIES II  | 03-2024 | -   |
|-----|-----------|--------------------|---------|-----|
| 2   | 3314310   | FTVN110 SERIES II  | 03-2024 | -   |
| 3   | 3314311   | FTVN110C SERIES II | 03-2024 | -   |
| 4   | 3314312   | FTVN150 SERIES II  | 03-2024 | -   |
| 5   | 3314313   | FTVN150C SERIES II | 03-2024 | -   |
| 6   | 3314314   | FTVN199 SERIES II  | 03-2024 | -   |
| 7   | 3314315   | FTVN199C SERIES II | 03-2024 | -   |
| Col | Reference | Model type         | Begin   | End |



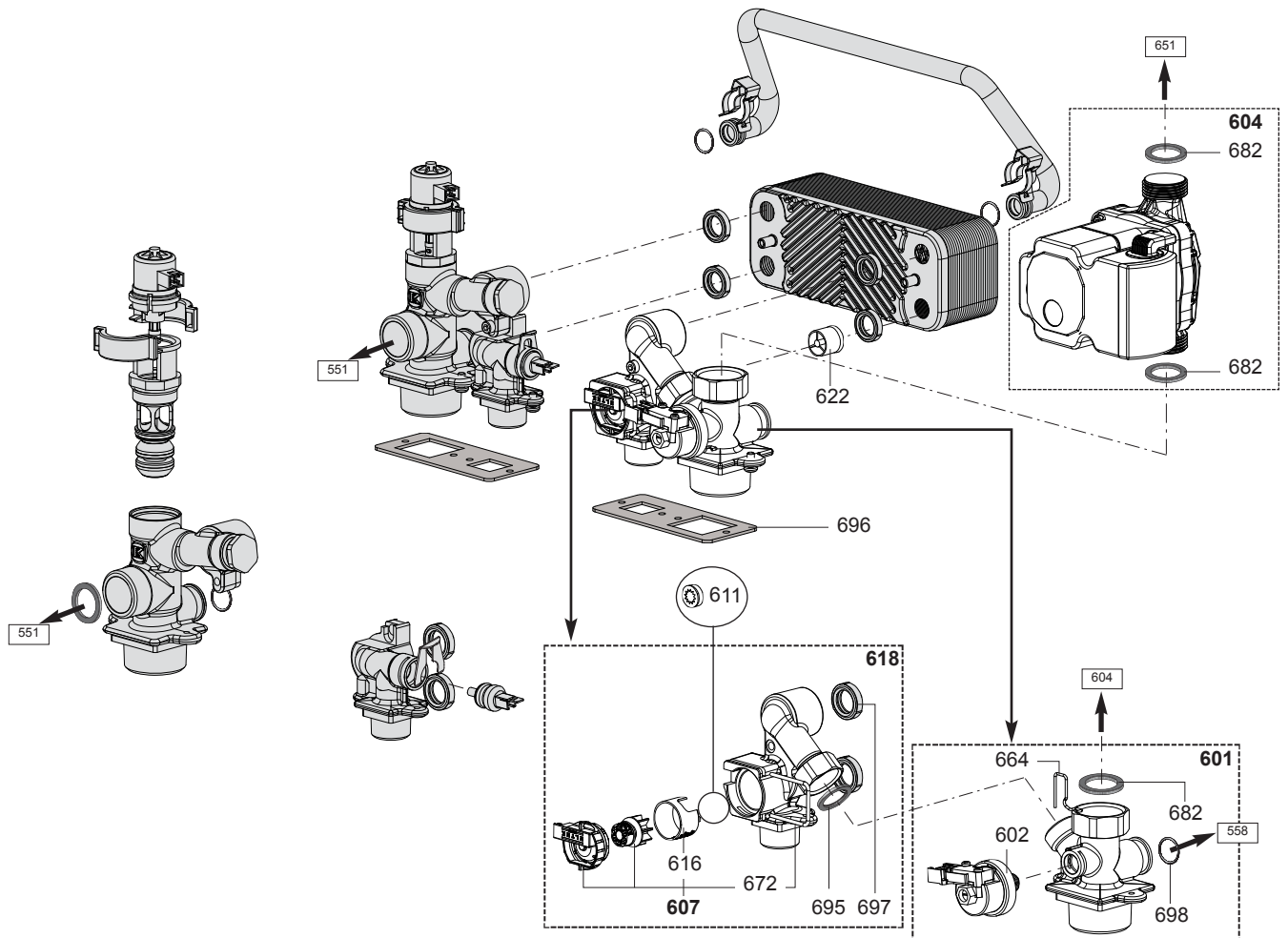
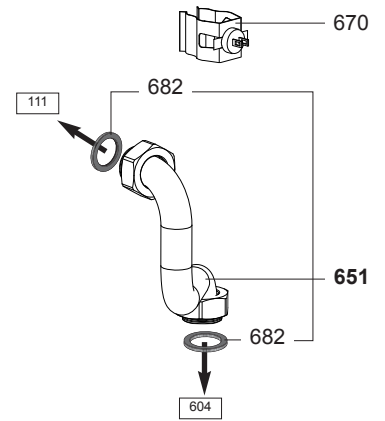
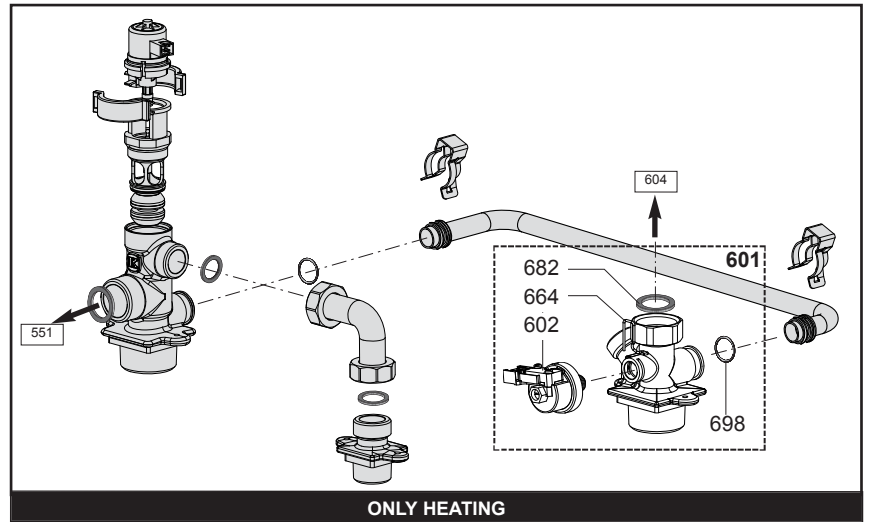






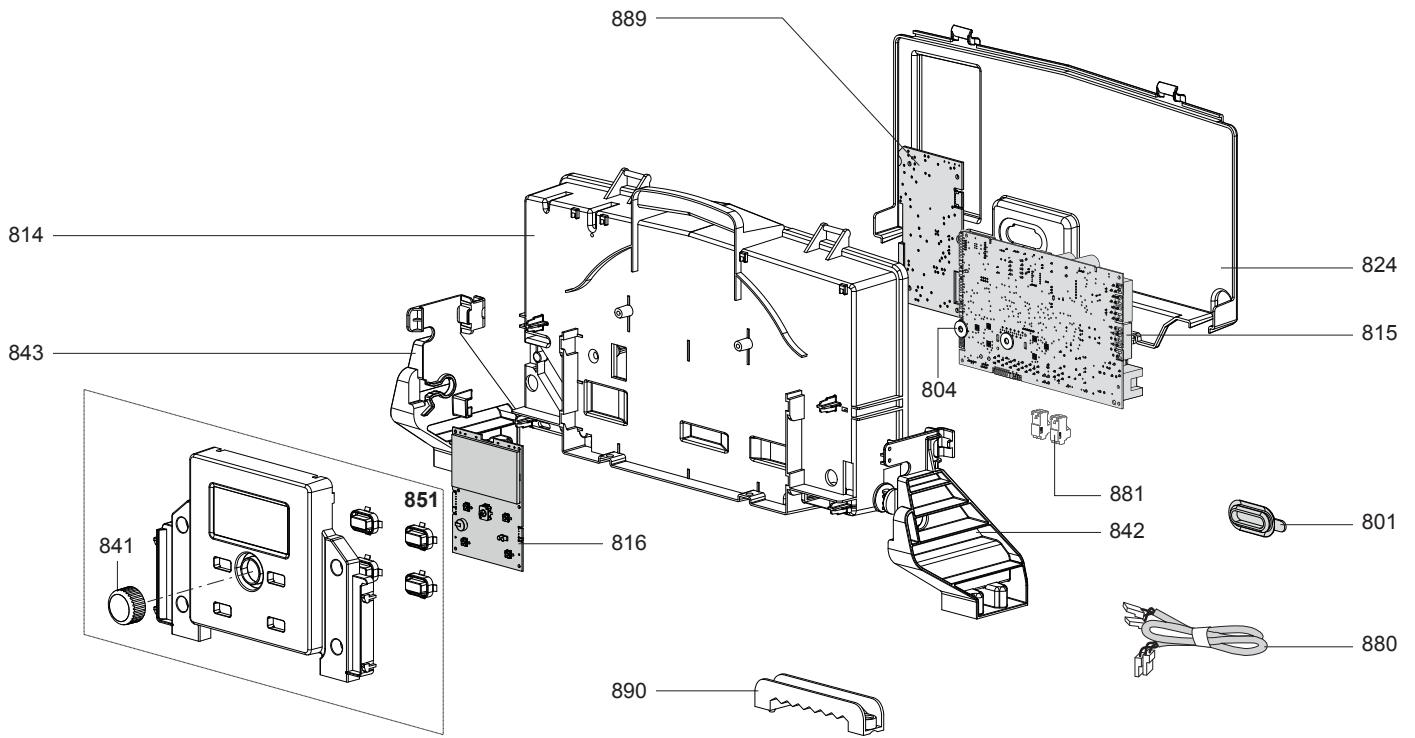
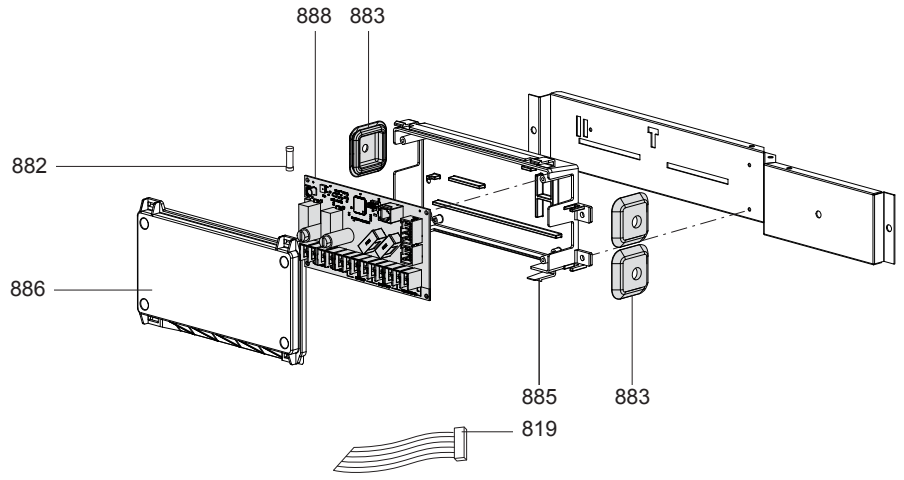






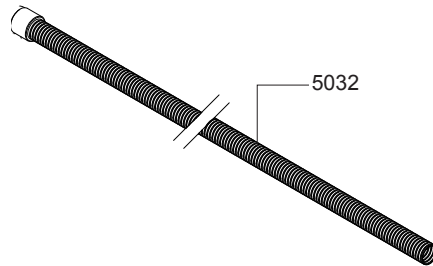
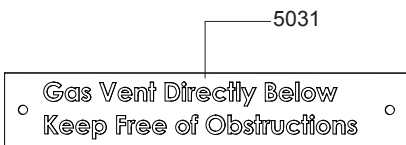
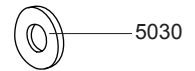
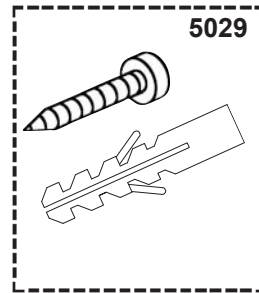
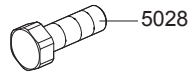
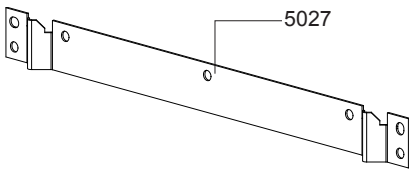
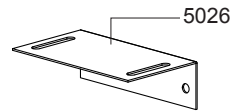
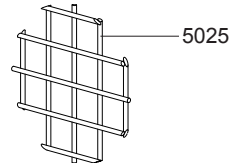
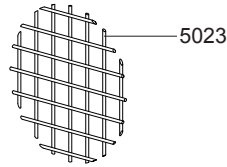
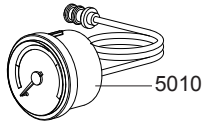
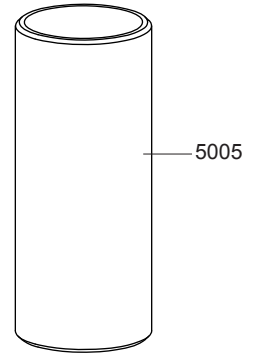
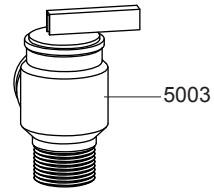
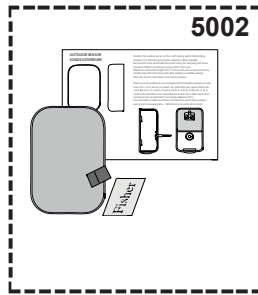
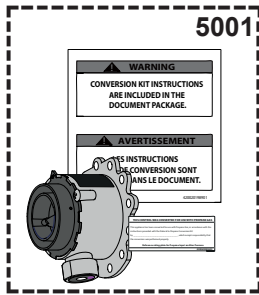








5022






|      |  | EN                                                                             |  | DE                                                                |  | NL                                                               |  |  |
|------|-----------------------------------------------------------------------------------|--------------------------------------------------------------------------------|--|-------------------------------------------------------------------|--|------------------------------------------------------------------|--|-------------------------------------------------------------------------------------|
|      |                                                                                   | FR                                                                             |  | ES                                                                |  | IT                                                               |  |                                                                                     |
| 0101 | 6500645000                                                                        | IGNITION ELECTRODE<br>ELECTRODE ALLUMAGE                                       |  | ZUNDELEKTRODE<br>ELECTRODO DE ENCENDIDO                           |  | ELECTRODE ONTSTEKING<br>ELETTRODO D'ACCENSIONE                   |  | 25                                                                                  |
| 0105 | 64980174                                                                          | NTC FLUE SENSOR 4X45 1/4 10K3 SS<br>CAPTEUR NTC 4X45 1/4 10K3 SS               |  | NTC SENSOR 4X45 1/4 10K3 SS<br>NTC SENSOR 4X45 1/4 10K3 SS        |  | NTC SENSOR 4X45 1/4 10K3 SS<br>SENSORE NTC 4X45 1/4 10K3 SS      |  | 1                                                                                   |
| 0110 | 64980168                                                                          | INSULATION (BURNER DOOR DISC-VC30)<br>PANNEAU ISOLEMENT VC30                   |  | ISOLIERUNGSPANEEL VC30<br>PANEL AISLANTE VC30                     |  | PANNEAU ISOLEMENT VC30<br>PANNELLO ISOLANTE VC30                 |  | 1                                                                                   |
|      | 64980169                                                                          | INSULATION (BURNER DOOR DISC-VC45)<br>PANNEAU ISOLEMENT VC45                   |  | ISOLIERUNGSPANEEL VC45<br>PANEL AISLANTE VC45                     |  | PANNEAU ISOLEMENT VC45<br>PANNELLO ISOLANTE VC45                 |  | 1                                                                                   |
| 0111 | 64980170                                                                          | INSULATION (BURNER DOOR DISC-VC60)<br>PANNEAU ISOLEMENT VC60                   |  | ISOLIERUNGSPANEEL VC60<br>PANEL AISLANTE VC60                     |  | PANNEAU ISOLEMENT VC60<br>PANNELLO ISOLANTE VC60                 |  | 1                                                                                   |
|      | 64980160                                                                          | HEAT EXCHANGER VC30 AIC<br>ECHANGEUR VC30 AIC                                  |  | AUSTAUSCHER VC30 AIC<br>INTERCAMBIADOR VC30 AIC                   |  | WARMTEWISSELAAR VC30 AIC<br>SCAMBIATORE VC30 AIC                 |  | 1                                                                                   |
|      | 64980161                                                                          | HEAT EXCHANGER VC45 AIC<br>ECHANGEUR VC45 AIC                                  |  | AUSTAUSCHER VC45 AIC<br>INTERCAMBIADOR VC45 AIC                   |  | WARMTEWISSELAAR VC45 AIC<br>SCAMBIATORE VC45 AIC                 |  | 1                                                                                   |
| 0114 | 64980162                                                                          | HEAT EXCHANGER VC60 AIC<br>ECHANGEUR VC60, AIC                                 |  | AUSTAUSCHER VC60 AIC<br>INTERCAMBIADOR VC60 AIC                   |  | WARMTEWISSELAAR VC60, AIC<br>SCAMBIATORE VC60 AIC                |  | 1                                                                                   |
|      | 64980158                                                                          | BURNER VC30<br>BRULEUR VC30                                                    |  | BRENNER VC30<br>QUEMADOR VC30                                     |  | BRANDER VC30<br>BRUCIATORE VC30                                  |  | 1                                                                                   |
|      | 64980159                                                                          | BURNER VC45/VC60<br>BRULEUR VC45/VC60                                          |  | BRENNER VC45/VC60<br>QUEMADOR VC45/VC60                           |  | BRANDER VC45/VC60<br>BRUCIATORE VC45/VC60                        |  | 1                                                                                   |
| 0116 | 64980461                                                                          | BURNER TOP PLATE<br>PLAQUE SUPÉRIEURE DU BRÛLEUR                               |  | BRENNERDECKPLATTE<br>PLACA SUPERIOR DEL QUEMADOR                  |  | BOVENPLAAT BRANDER<br>PIASTRA BRUCIATORE                         |  | 1                                                                                   |
|      | 64980462                                                                          | BURNER TOP PLATE<br>PLAQUE SUPÉRIEURE DU BRÛLEUR                               |  | BRENNERDECKPLATTE<br>PLACA SUPERIOR DEL QUEMADOR                  |  | BOVENPLAAT BRANDER<br>PIASTRA BRUCIATORE                         |  | 1                                                                                   |
|      | 64980463                                                                          | BURNER TOP PLATE<br>PLAQUE SUPÉRIEURE DU BRÛLEUR                               |  | BRENNERDECKPLATTE<br>PLACA SUPERIOR DEL QUEMADOR                  |  | BOVENPLAAT BRANDER<br>PIASTRA BRUCIATORE                         |  | 1                                                                                   |
| 0117 | 6500772400                                                                        | CONDENSATE TRAP<br>SIPHON                                                      |  | SIPHON<br>SIFON ANTICONDENSACION                                  |  | SIFON<br>SIFONE SCARICO CONDENSA                                 |  | 1                                                                                   |
| 0124 | 990686-01                                                                         | TEMPERATURE PROBE + CLIP<br>SONDE NTC + CLIPS KIT                              |  | NTC-SONDE MIT CLIPS KIT<br>SONDA NTC + CLIPS KIT                  |  | VOELER NTC + KLEM KIT<br>SONDA NTC + CLIPS KIT                   |  | 1                                                                                   |
| 0151 | 64980178                                                                          | CONDENSATE DRAIN PIPE<br>TUYAU D'ÉVACUAT.DES CONDENS.                          |  | KONDENSATABLAUFROHR<br>TUBO DE DRENAJE DE CONDENSAD.              |  | CONDENSATFOERLEIDUNG<br>TUBO SCARICO CONDENSA                    |  | 1                                                                                   |
| 0152 | 64980263                                                                          | COUPLING Y HOSE CONNECTOR<br>COUPLAGE ET CONNECT.DE TUYAU                      |  | KUPPLUNG DES SCHLAUCHANSCHLUSS.<br>CONECTOR DE ACOPLAM.Y MANGUERA |  | KOPPELING VAN DE SLANGCONNECTOR<br>CONNETTORE TUBI Y             |  | 1                                                                                   |
| 0160 | 6000086929                                                                        | CONDENSATE DISH ONLY VC45<br>CONDENSATE DISH ONLY VC45                         |  | CONDENSATE DISH ONLY VC45<br>CONDENSATE DISH ONLY VC45            |  | CONDENSATE DISH ONLY VC45<br>CONDENSATE DISH ONLY VC45           |  | 5                                                                                   |
|      | 6000086930                                                                        | CONDENSATE DISH ONLY VC60<br>CONDENSATE DISH ONLY VC60                         |  | CONDENSATE DISH ONLY VC60<br>CONDENSATE DISH ONLY VC60            |  | CONDENSATE DISH ONLY VC60<br>CONDENSATE DISH ONLY VC60           |  | 5                                                                                   |
|      | 64980675                                                                          | CONDENSATE DISH ONLY VC30<br>CONDENSATE DISH ONLY VC30                         |  | CONDENSATE DISH ONLY VC30<br>CONDENSATE DISH ONLY VC30            |  | CONDENSATE DISH ONLY VC30<br>CONDENSATE DISH ONLY VC30           |  | 1                                                                                   |
| 0161 | 6000086932                                                                        | GASKET (CONDENSATE DISH)<br>JOINT RECUPERAT.DE CONDENSATS                      |  | DICHTUNG (KONDENSWASSER)<br>JUNTA RECOGE-CONDENSACION             |  | DICHTING (CONDENSAATOPVANG)<br>GUARNIZ.VASCA RACCOGLICOND.       |  | 5                                                                                   |
|      | 6000086933                                                                        | GASKET (CONDENSATE DISH)<br>JOINT RECUPERAT.DE CONDENSATS                      |  | DICHTUNG (KONDENSWASSER)<br>JUNTA RECOGE-CONDENSACION             |  | DICHTING (CONDENSAATOPVANG)<br>GUARNIZ.VASCA RACCOGLICOND.       |  | 5                                                                                   |
| 0163 | 64980677                                                                          | GASKET (VC30 CONDENSATE DISH)<br>JOINT (BAC À CONDENSAT)                       |  | DICHTUNG (KONDENSATSCHALE)<br>JUNTA (PLATO DE CONDENSADO)         |  | PAKKING (CONDENSAATSCHAAL)<br>GUARIZIONE VASCA RACC.CONDENSA     |  | 1                                                                                   |
|      | 64980243                                                                          | CLAMP<br>SERRER                                                                |  | KLEMME<br>ABRAZADERA                                              |  | KLEM<br>MORSETTO                                                 |  | 1                                                                                   |
| 0168 | 60000533                                                                          | HOSE CLAMP<br>COLLIER SUR SOUPLE                                               |  | KRAGEN AUF FLEXIBEL<br>COLLAR EN FLEXIBLE                         |  | KRAAG OP FLEXIBEL<br>COLLARE SU FLESSIBILE                       |  | 1                                                                                   |
| 0169 | 64980242                                                                          | NUT, SERRATED FLANGE M3<br>ECROU, BRIDE SERREE M3                              |  | MUTTER, SERRIERTER FLANSCH M3<br>TUERCA, BRIDA SERRADA M3         |  | MOER, GESLAGEN FLENS M3<br>DADO FLANGIATO M3                     |  | 5                                                                                   |
| 0170 | 64980246                                                                          | NUT, SERRATED FLANGE M6<br>ECROU, BRIDE SERREE M6                              |  | MUTTER, SERRIERTER FLANSCH M6<br>TUERCA, BRIDA SERRADA M6         |  | MOER, GESLAGEN FLENS M6<br>DADO FLANGIATO M6                     |  | 5                                                                                   |
| 0171 | 64980166                                                                          | GASKET (BURNER-VC30)<br>JOINT BRULEUR VC30                                     |  | DICHTUNG (BRENNER VC30)<br>JUNTA QUEMADOR VC30                    |  | DICHTING (BRANDER VC30)<br>GUARNIZIONE BRUCIATORE VC30           |  | 1                                                                                   |
|      | 64980167                                                                          | GASKET (BURNER-VC45/VC60)<br>JOINT BRULEUR VC45/VC60                           |  | FORMDICHTUNG (BRENNER VC45/VC60)<br>JUNTA QUEMADOR VC45/VC60      |  | DICHTING (BRANDER VC45/VC60)<br>GUARNIZIONE BRUCIATORE VC45/VC60 |  | 1                                                                                   |
| 0172 | 64980223                                                                          | GASKET (ELECTRODE)<br>JOINT ELECTRODE                                          |  | DICHTUNG ELEKTRODE<br>JUNTA ELECTRODO                             |  | PAKKING ELECTRODE<br>GUARNIZIONE ELETTRODO                       |  | 1                                                                                   |
| 0177 | 64980150                                                                          | AIR VENT<br>PURGEUR D'AIR                                                      |  | LUFTBLASSVENTIL<br>PURGADOR DE AIRE                               |  | ONTLUCHTINGSKLEP<br>VALVOLA SFIATO ARIA                          |  | 1                                                                                   |
| 0178 | 64980701                                                                          | GASKET 1 in ( AFM34/2 REINZ)<br>JOINT 1" AFM34/2                               |  | DICHTUNG 1 Z, AFM34/2<br>JUNTA 1" AFM34/2                         |  | AFDICHTING 1", AFM34/2<br>GUARNIZIONE ACQUA-GAS 1" AFM34/2       |  | 10                                                                                  |
| 0180 | 65119323                                                                          | SPARK GENERATOR<br>TRANSFORMATEUR D'ALLUMAGE                                   |  | ZUNDTRAFO<br>ENCENDEDOR                                           |  | ONTSTEKINGSTRANSFORMATOR<br>ACCENDITORE                          |  | 1                                                                                   |
| 0182 | 64980244                                                                          | CONNECTOR TUBING 3/8 in x 1/4 in, barbed<br>TUBE DE CONNECTEUR 3/8 in x 1/4 in |  | ANSCHLUSSROHR 3/8 in x 1/4 in<br>CONECTOR TUBERÍA 3/8 in x 1/4 in |  | CONNECTORBUIS 3/8 in x 1/4 in<br>CONNETTORE TUBI 3/8 in x 1/4 in |  | 1                                                                                   |
| 0183 | 64980173                                                                          | FLUE PIPE (POLYPROPYLENE)<br>TUBE EN PLASTIQUE                                 |  | ABGASROHR<br>TUBO DE HUMOS CENTROTERM                             |  | FLUE PIPE (POLYPROPYLENE)<br>TUBO SCARICO FUMI (POLIPROPILENE)   |  | 1                                                                                   |
| 0185 | 64980222                                                                          | SIGHT GLASS (COMPLETE)<br>SIGHT GLASS (COMPLETE)                               |  | SIGHT GLASS (COMPLETE)<br>SIGHT GLASS (COMPLETE)                  |  | SIGHT GLASS (COMPLETE)<br>VETRO SPIA (COMPLETO)                  |  | 1                                                                                   |

|      |            | EN                                                                           | DE                                                                            | NL                                                                         |   |
|------|------------|------------------------------------------------------------------------------|-------------------------------------------------------------------------------|----------------------------------------------------------------------------|---|
|      |            | FR                                                                           | ES                                                                            | IT                                                                         |   |
| 0186 | 64980171   | CABLE (IGNITION ELECTRODE)<br>CÂBLE D'ÉLECTRODE D'ALLUMAGE                   | ZÜNDUNGSELEKTRODENKABEL<br>CABLE DE ELECTRODO DE ENCEND.                      | ONTSTEKINGSSELECTRODE KABEL<br>CAVO ELETTRODO ACCENSIONE                   | 1 |
| 0187 | 65118678   | AIR PRESSURE SWITCH<br>PRESSOSTAT AIR                                        | LUFTWACHTER<br>PRESOSTATO AIRE                                                | DRUKSCHAKELAAR LUCHT<br>PRESSOSTATO ARIA                                   | 1 |
| 0188 | 64980241   | NUT, SERRATED FLANGE M5-08<br>ECROU, BRIDE SERREE M5-08                      | MUTTER, SERRIERTER FLANSCH M5-08<br>TUERCA, BRIDA SERRADA M5-08               | MOER, GESLAGEN FLENS M5-08<br>DADO FLANGIATO M5-08                         | 5 |
| 0191 | 64980154   | PIPE (MANIFOLD)<br>TUYAU (COLLECTEUR)                                        | ROHR (VERTEILER)<br>TUBO (COLECTOR)                                           | PIJP (SPRUITSTUK)<br>TUBO COLLETTORE                                       | 0 |
| 0192 | 64980687   | PLUG (THERMAL SWITCH HOLE)<br>BOUCHON (trou interrupteur thermique)          | STOPFEN (loch für thermoschalter)<br>PLUG (THERMAL SWITCH HOLE)               | STOP (THERMISCHE SCHAKELAAR GAT)<br>TAPPO FORO INTER.TERMICO               | 1 |
| 0193 | 6500846600 | INSULATION (HEAT EXCHANGER)<br>ISOLATION (échangeur de chaleur)              | ISOLIERUNG (WÄRMETAUSCHER)<br>AISLAMIENTO (intercambiador de calor)           | ISOLATIE (WARMTEWISSELAAR)<br>ISOLAMENTO SCAMBIATORE                       | 1 |
|      | 6500846700 | INSULATION (HEAT EXCHANGER)<br>ISOLATION (échangeur de chaleur)              | ISOLIERUNG (WÄRMETAUSCHER)<br>AISLAMIENTO (intercambiador de calor)           | ISOLATIE (WARMTEWISSELAAR)<br>ISOLAMENTO SCAMBIATORE                       | 1 |
|      | 6500846800 | INSULATION (HEAT EXCHANGER)<br>ISOLATION (échangeur de chaleur)              | ISOLIERUNG (WÄRMETAUSCHER)<br>AISLAMIENTO (intercambiador de calor)           | ISOLATIE (WARMTEWISSELAAR)<br>ISOLAMENTO SCAMBIATORE                       | 1 |
| 0199 | 64980507   | GASKET, THERMAL SWITCH TO TOP PLATE<br>JOINT D'INTERRUPTEUR THERMIQUE        | DICHTUNG, THERMISCHER SCHALTER<br>JUNTA, INTERRUPTOR TÉRMICO                  | PAKKING, THERMISCHE SCHAKELAAR<br>GUARNIZ.INTER.TERMICO (piastra br.)      | 1 |
| 0201 | 65118645   | GAS VALVE, HONEYWELL KV4205<br>VALVE GAZ                                     | GASVENTIL<br>VALVULA GAS                                                      | GASBLOK<br>VALVOLA GAS                                                     | 1 |
| 0202 | 64980119   | VENTILATOR<br>VENTILATEUR                                                    | LAUFRAD<br>HELICE VENTILADOR                                                  | VENTILATOR<br>VENTILATORE                                                  | 2 |
|      | 64980120   | VENTILATOR<br>VENTILATEUR                                                    | LAUFRAD<br>HELICE VENTILADOR                                                  | VENTILATOR<br>VENTILATORE                                                  | 2 |
| 0210 | 60001923   | GAS DIAPHRAGM D: 6.40 (LP)<br>DIAPHRAGME GAZ D: 6.40                         | PLATTENVENTIL GAS D: 6.40<br>DIAFRAGMA GAS D: 6.40                            | DIAFRAGMA GAS D: 6.40<br>DIAFRAMMA GAS D: 6.40                             | 1 |
|      | 60001924   | GAS DIAPHRAGM D: 6.90<br>DIAPHRAGME GAZ D: 6.90                              | PLATTENVENTIL GAS D: 6.90<br>DIAFRAGMA GAS D: 6.90                            | DIAFRAGMA GAS D: 6.90<br>DIAFRAMMA GAS D: 6.90                             | 1 |
|      | 65118713   | GAS DIAPHRAGM D: 8.5 (NG)<br>DIAPHRAGME GAZ D: 8,5                           | PLATTENVENTIL GAS D: 8,5<br>DIAFRAGMA GAS D: 8,5                              | DIAFRAGMA GAS D: 8,5<br>DIAFRAMMA GAS D: 8,5                               | 1 |
| 0211 | 64980100   | MIXER 085-110 LP FT<br>MIXER 085-110-110C LP FT                              | MIXER 085-110-110C LP FT<br>MIXER 085-110-110C LP FT                          | MIXER 085-110-110C LP FT<br>MIXER 085-110-110C GLP FT                      | 1 |
|      | 64980102   | MIXER 150-150C LP FT<br>MIXER 150-150C LP FT                                 | MIXER 150-150C LP FT<br>MIXER 150-150C LP FT                                  | MIXER 150-150C LP FT<br>MIXER 150-150C GLP FT                              | 1 |
|      | 64980104   | MIXER 199-199C LP FT<br>MIXER 199-199C LP FT                                 | MIXER 199-199C LP FT<br>MIXER 199-199C LP FT                                  | MIXER 199-199C LP FT<br>MIXER 199-199C GPL FT                              | 1 |
|      | 64980124   | MIXER, 085-110-110C NG FT<br>MIXER, 085-110-110C NG FT                       | MIXER, 085-110-110C NG FT<br>MIXER, 085-110-110C NG FT                        | MIXER, 085-110-110C NG FT<br>MIXER, 085-110-110C NG FT                     | 1 |
|      | 64980125   | MIXER, 150-150C NG FT<br>MIXER, 150-150C NG FT                               | MIXER, 150-150C NG FT<br>MIXER, 150-150C NG FT                                | MIXER, 150-150C NG FT<br>MIXER, 150-150C NG FT                             | 1 |
|      | 64980126   | MIXER, 199-199C NG FT<br>MIXER, 199-199C NG FT                               | MIXER, 199-199C NG FT<br>MIXER, 199-199C NG FT                                | MIXER, 199-199C NG FT<br>MIXER, 199-199C NG FT                             | 1 |
| 0213 | 64980127   | SILENCER<br>SILENCIEUX                                                       | SCHALLDÄMPFER<br>SILENCIADOR                                                  | GELUIDDEMPER<br>SILENZIATORE                                               | 1 |
| 0214 | 64980439   | PIPE (GAS VALVE-MIXER) stainless<br>TUYAU (vanne de gaz-venturi) acier inox. | ROHR (GASVENTIL-VENTURI) Edelstahl<br>TUBO (válvula de gas-mixer) acero inox. | PIJP (GASKLEP-VENTURI) roestvrije staal<br>TUBO GAS VALV.GAS-MIXER acciaio | 1 |
|      | 64980664   | PIPE (GAS VALVE-MIXER) stainless<br>TUYAU (vanne de gaz-venturi) acier inox. | ROHR (GASVENTIL-VENTURI) Edelstahl<br>TUBO (válvula de gas-mixer) acero inox. | PIJP (GASKLEP-VENTURI) roestvrije staal<br>TUBO GAS VALV.GAS-MIXER acciaio | 1 |
|      | 64980680   | PIPE (GAS VALVE-MIXER) stainless<br>TUYAU (vanne de gaz-venturi) acier inox. | ROHR (GASVENTIL-VENTURI) Edelstahl<br>TUBO (válvula de gas-mixer) acero inox. | PIJP (GASKLEP-VENTURI) roestvrije staal<br>TUBO GAS VALV.GAS-MIXER acciaio | 1 |
| 0225 | 64980176   | CONNECTION M 3/4 NPT-M 3/4 Gas<br>RACCORD M 3/4 NPT-M 3/4 G                  | ANSCHLUSS M 3/4 NPT-M 3/4 G<br>CONEXIÓN M 3/4 NPT-M 3/4 G                     | AANSLUIT.M 3/4 NPT-M 3/4 G<br>RACCORDO M 3/4 NPT-M 3/4 G                   | 1 |
| 0227 | 64980217   | GASKET (GAS ADAPTER)<br>JOINT (ADAPTATEUR GAZ)                               | DICHTUNG (GASADAPTER)<br>JUNTA (ADAPTADOR DE GAS)                             | DICHTING (GASADAPTER)<br>GUARNIZIONE ADATTATORE GAS                        | 0 |
| 0250 | 64980442   | PIPE (GAS INLET) stainless<br>TUYAU (ENTRÉE GAZ) acier inox.                 | ROHR (GASEINGANG) Edelstahl<br>TUBO (ENTRADA DE GAS) acero inox.              | PIJP (GASINLAAT) roestvrije staal<br>TUBO INGRESSO GAS acciaio             | 1 |
| 0271 | 64980678   | GASKET (BLOWER)<br>JOINT VENTILATEUR                                         | DICHTUNG, GEBLASE<br>JUNTA VENTILADOR                                         | DICHTING VENTILATOR<br>GUARNIZIONE VENTILATORE                             | 1 |
|      | 64980699   | GASKET (VENTILATOR)<br>JOINT VENTILATEUR                                     | DICHTUNG, GEBLASE<br>JUNTA VENTILADOR                                         | DICHTING VENTILATOR<br>GUARNIZIONE VENTILATORE                             | 1 |
| 0272 | 60001878   | O-RING 165 NBR 70 Sh 61.91x3,53<br>JOINT TORIQUE 165 NBR 70 Sh 61.9          | O-RING 165 NBR 70 Sh 61.91x3,53<br>O-RING 165 NBR 70 Sh 61.91x3,53            | O-RING 165 NBR 70 Sh 61.91x3,53<br>O-RING 165 NBR 70 Sh 61.91x3,53         | 1 |
| 0282 | 64980284   | GASKET 3/4 in th. 3 NBR TEFLON-YELLOW<br>JOINT EAU-GAZ 3/4 in ép.3 NBR       | DICHTUNG 3/4 in Dicke 3 NBR teflon gelb<br>JUNTA 3/4 in esp. 3 NBR            | AFDICHTING 3/4 in dikte 3 NBR<br>GUARNIZ.3/4 in NBR sp.3 TEFLON GIAL.      | 1 |
| 0284 | 6000086861 | SILENCER SPACER<br>ESPACEUR DE SILENCIEUX                                    | SCHALLDÄMPFER-ABSTANDSSTÜCK<br>ESPACIADOR SILENCIADOR                         | GELUIDDEMPER SPACER<br>DISTANZIALE SILENZIATORE                            | 0 |
| 0312 | 64980209   | FLUE TEST PORT PLUG<br>BOUCHON DE PRISE FUMEE                                | STOPFEN ABGAS-U. ZULUFTMESS.KUNST.<br>TAPON TOMA HUMOS                        | STOP ROOKGASMEETNIPPELS<br>TAPPO ANALISI FUMI + O-RING                     | 1 |
| 0315 | 6500670400 | PANEL (L.H. SIDE)<br>PANNEAU LATÉRAL GAUCHE                                  | LINKES SEITENTEIL<br>PANEL LATERAL IZQUIERDO                                  | LINKERZIJPANEEL<br>PANNELLO LATERALE SINISTRO                              | 1 |
| 0317 | 6500670500 | PANEL (FRONT)<br>PANNEAU AVANT                                               | FRONTBLLENDE<br>PANEL FRONTAL                                                 | VOORPANEEL<br>PANNELLO FRONTALE                                            | 1 |



|      |  | EN                                                                             |  | DE                                                                             |  | NL                                                                             |  |  |
|------|-----------------------------------------------------------------------------------|--------------------------------------------------------------------------------|--|--------------------------------------------------------------------------------|--|--------------------------------------------------------------------------------|--|-------------------------------------------------------------------------------------|
|      |                                                                                   | FR                                                                             |  | ES                                                                             |  | IT                                                                             |  |                                                                                     |
| 0318 | 6500670300                                                                        | PANEL (R.H. SIDE)<br>PANNEAU LATÉRAL DROIT                                     |  | RECHTES SEITENTEIL<br>PANEL LATERAL DERECHO                                    |  | RECHTERZIJPANEEL<br>PANNELLO LATERALE DESTRO                                   |  | 1                                                                                   |
| 0340 | 64980206                                                                          | ADAPTOR (AIR INLET)<br>ADAPTATEUR D'ENTRÉE D'AIR                               |  | ADAPTER, LUFT EINGANG<br>ADAPTADOR DE ENTRADA DE AIRE                          |  | LUCHTINLAAT ADAPTER<br>ADATTATORE INGRESSO ARIA                                |  | 1                                                                                   |
| 0341 | 64980237                                                                          | SEAL GASKET OUTLET 80<br>JOINT DE SORTIE 80                                    |  | DICHTUNGSAusGANG 80<br>JUNTA DE SALIDA 80                                      |  | PAKKING UITLAAT 80<br>GUARNIZIONE D80 USCITA FUMI                              |  | 1                                                                                   |
| 0342 | 6500745700                                                                        | SEAL GASKET GAS IN-OUT ADAPTORS<br>JOINT GAS IN-OUT ADAPTORS                   |  | DICHTUNG GAS IN-OUT ADAPTORS<br>JUNTA GAS IN-OUT ADAPTORS                      |  | DICHTING GAS IN-OUT ADAPTORS<br>GUARNIZIONE GAS IN-OUT ADAPTORS                |  | 1                                                                                   |
| 0343 | 64980208                                                                          | FOAM FLUE GAS ADAPTOR<br>MOUSSE ADAPTAT.DE GAZ DE FUMÉE                        |  | DICHTUNG ABGASBOGEN<br>ESPUMA DE ADAPT.DE GASES DE GOMA                        |  | SCHUIMKANAALADAPTER<br>GUARNIZIONE COLLETTORE FUMI                             |  | 1                                                                                   |
| 0344 | 64980233                                                                          | TRAY CONDENS<br>PLATEAU CONDENS                                                |  | TABLETT KONDENSAT<br>BANDEJA CONDENS                                           |  | LADE CONDENS<br>VASSOIO CONDENSA                                               |  | 1                                                                                   |
| 0345 | 64980210                                                                          | ADAPTOR (FLUE OUTLET)<br>ADAPTATEUR, SORTIE DE FUMÉE                           |  | ADAPTER, RAUCH AUSGANG<br>ADAPTADOR, SALIDA DE HUMO                            |  | ADAPTER, ROOKUITGANG<br>ADATTATORE USCITA FUMI                                 |  | 1                                                                                   |
| 0346 | 64980236                                                                          | O-RING SEAL 2,7X8,9 EPDM PEROX 70 Sh.<br>J-TORIQUE 2,7X8,9 EPDM PEROX 70Sh.    |  | DICHTRING 2,7X8,9 EPDM PEROX 70Sh.<br>JUNTA TORICA 2,7X8,9 EPDM perox 70 Sh.   |  | DICHTINGSRING 2,7X8,9 EPDM perox 70Sh.<br>O-RING 2,7X8,9 EPDM PEROX 70 Sh.     |  | 1                                                                                   |
| 0347 | 64980238                                                                          | DOOR LATCH<br>FERMETURE DU PANNEAU                                             |  | PANELSCHLIUSSUNG<br>CIERRE DEL PANEL                                           |  | PANEEL SLUITING<br>CHIUSURA MANTELLO                                           |  | 0                                                                                   |
| 0349 | 6500605300                                                                        | BEZEL, DISPLAY SERIES II<br>PLASTRON                                           |  | EINSATZ<br>PLASTRON                                                            |  | PLAAT<br>MOSTRINA                                                              |  | 1                                                                                   |
| 0379 | 64980674                                                                          | GASKET (CONDENSATE TRAP)<br>JOINT (SIPHON DE CONDENSATS)                       |  | DICHTUNG (KONDENSATFALL)<br>JUNTA (TRAMPA DE CONDENSADOS)                      |  | PAKKING (CONDENSATVOER)<br>GUARNIZIONE SIFONE                                  |  | 1                                                                                   |
| 0501 | 64980859                                                                          | GROUP (3 WAY VALVE-SYSTEM)<br>GROUPE VALVE 3 VOIES-SYSTEM                      |  | GRUPPE (3-WEGE-VENTIL-SYSTEM)<br>GRUPO VÁLVULA 3 VÍAS SYSTEM                   |  | GROEP (3 MANIEREN KLEP-SYSTEM)<br>GRUPPO VALVOLA 3 VIE                         |  | 5                                                                                   |
|      | 64980860                                                                          | GROUP (3 WAY VALVE)<br>GROUPE DE VANNES À 3 VOIES                              |  | GRUPPE (3-WEGE-VENTIL)<br>GRUPO DE VÁLVULAS DE 3 VÍAS                          |  | GROEP (3-WEGS KLEP)<br>GRUPPO VALVOLA 3 VIE                                    |  | 1                                                                                   |
| 0505 | 64980862                                                                          | MOTOR (3-WAY VALVE) steel shaft Moons<br>MOTOR (3-way valve) steel shaft Moons |  | MOTOR (3-WAY VALVE) steel shaft Moons<br>MOTOR (3-way valve) steel shaft Moons |  | MOTOR (3-WAY VALVE) steel shaft Moons<br>MOTOR (3-way valve) steel shaft Moons |  | 1                                                                                   |
| 0507 | 64980203                                                                          | SANITARY HEAT EXCHANGER (27 P.)<br>ECHANGEUR SANITAIRE 27 PLAQUES              |  | PLATTENWAERMETAUSCHER<br>INTERCAMBIADOR SANITARIO 27                           |  | WARMTEWISSELAAR SANITAIR 27 PLATEN<br>SCAMBIATORE SANITAR.27 PIASTRE           |  | 1                                                                                   |
| 0508 | 65121175                                                                          | SENSOR (NTC)<br>SENSOR (NTC)                                                   |  | SENSOR (NTC)<br>SENSOR (NTC)                                                   |  | SENSOR (NTC)<br>SONDA NTC                                                      |  | 1                                                                                   |
| 0510 | 64980861                                                                          | 3-WAY VALVE (MOTOR MOONS+CARTDR.)<br>3-WAY VALVE (motor moons+cartdr.)         |  | 3-WAY VALVE (MOTOR MOONS+CARTDR.)<br>3-WAY VALVE (motor moons+cartdr.)         |  | 3-WAY VALVE (MOTOR MOONS+CARTDR.)<br>3-WAY VALVE (motor moons+cartdr.)         |  | 1                                                                                   |
| 0511 | 65104339                                                                          | CLIP D:12<br>CLIP D:12                                                         |  | SICHERHEITSSPLINT D20<br>CLIP D:12                                             |  | KLEM D:12<br>CLIP D:12                                                         |  | 1                                                                                   |
| 0551 | 64980156                                                                          | PIPE (C.H. OUTLET)<br>TUBE DEPART CHAUFFAGE                                    |  | VORLAUFROHR<br>TUBO ENVÍO                                                      |  | BUIS VERTREK VERWARMING<br>TUBO MANDATA                                        |  | 0                                                                                   |
| 0555 | 64980186                                                                          | CLIP (BY-PASS PIPE-SYSTEM)<br>CLIP (TUYAU BY-PASS)                             |  | CLIP (BY-PASS-ROHR)<br>CLIP TUBO BY-PASS                                       |  | CLIP (BY-PASS BUIS)<br>CLIP TUBO BY-PASS                                       |  | 1                                                                                   |
| 0556 | 64980202                                                                          | O-RING 13.95 X 2.62<br>JOINT TORIQUE D: 13.95 X 2.62                           |  | NDDICHTUNG D: 13.95 X 2.62<br>JUNTA TORICA D: 13.95 X 2.62                     |  | DICHTINGSRING D: 13.95 X 2.62<br>ANELLO OR 13.95 X 2.62                        |  | 1                                                                                   |
| 0558 | 64980187                                                                          | BY-PASS PIPE<br>TUBE BY-PASS                                                   |  | BYPASS-ROHR<br>TUBO BY-PASS                                                    |  | BUIS BY-PASS<br>TUBO BY-PASS                                                   |  | 0                                                                                   |
|      | 64980197                                                                          | BY-PASS PIPE<br>TUBE BY-PASS                                                   |  | BYPASS-ROHR<br>TUBO BY-PASS                                                    |  | BUIS BY-PASS<br>TUBO BY-PASS                                                   |  | 1                                                                                   |
| 0562 | 64980701                                                                          | GASKET 1 in ( AFM34/2 REINZ)<br>JOINT 1" AFM34/2                               |  | DICHTUNG 1 Z, AFM34/2<br>JUNTA 1" AFM34/2                                      |  | AFDICHTING 1", AFM34/2<br>GUARNIZIONE ACQUA-GAS 1" AFM34/2                     |  | 10                                                                                  |
| 0568 | 65114928                                                                          | EXCHANGER GASKET<br>JOINT ECHANGEUR                                            |  | DICHTUNG WAERMETAUSCHER<br>JUNTA INTERCAMBIADOR                                |  | DICHTING WISSELAAR<br>GUARNIZIONE SCAMBIATORE                                  |  | 5                                                                                   |
| 0570 | 64980188                                                                          | CONNECTION M 3/4 NPT - M 3/4 G<br>RACCORD M 3/4 NPT - M 3/4 G                  |  | ANSCHLUSS M 3/4 NPT - M 3/4 G.<br>CONEXIÓN M 3/4 NPT - M 3/4 G                 |  | AANSluitING M 3/4 NPT - M 3/4 G<br>RACCORDO M 3/4 NPT - M 3/4 G                |  | 1                                                                                   |
| 0585 | 573520                                                                            | GASKET 3/4 INCH (AFM34/2 REINZ)<br>JOINT 3/4 PO. AFM34/2 REINZ                 |  | DICHTUNG 3/4 ZOLL AFM34/2 REINZ<br>JUNTA 3/4 PUL. AFM34/2 REINZ                |  | AFDICHTING 3/4 INCH AFM34/2 REINZ<br>GUARNIZ.ACQUA-GAS 3/4 PO.AFM34/2 RE       |  | 10                                                                                  |
| 0591 | 64980250                                                                          | GASKET (HYDROBLOCK)<br>JOINT HYDROBLOC                                         |  | DICHTUNG (HYDROBLOCK)<br>JUNTA (HIDROBLOQUE)                                   |  | DICHTING (HYDROBLOCK)<br>GUARNIZIONE GRUPPO IDRAULICO                          |  | 0                                                                                   |
| 0592 | 64980189                                                                          | PIPE (CH OUTLET)<br>TUBE DEPART CHAUFFAGE                                      |  | VORLAUFROHR<br>TUBO ENVÍO                                                      |  | BUIS VERTREK VERWARMING<br>TUBO MANDATA                                        |  | 0                                                                                   |
| 0593 | 64980194                                                                          | GROUP (DHW OUTLET)<br>HAUSWASSERAUSGANGSGRUPPE                                 |  | HAUSWASSERAUSGANGSGRUPPE<br>GRUPO SALIDA DE AGUA CAL.SANIT.                    |  | GROEP (SHW OUTLET)<br>GRUPPO USCITA ACQUA SANITARIA                            |  | 1                                                                                   |
| 0601 | 64980221                                                                          | GROUP (PUMP-COMBI)<br>GROUPE POMPE                                             |  | PUMPENGRUPPE<br>GRUPO DE BOMBA                                                 |  | GROEP (POMP)<br>GRUPPO POMPA                                                   |  | 1                                                                                   |
|      | 6500682300                                                                        | GROUP (PUMP)<br>GROUPE POMPE                                                   |  | PUMPENGRUPPE<br>GRUPO DE BOMBA                                                 |  | GROEP (POMP)<br>GRUPPO POMPA                                                   |  | 1                                                                                   |
| 0602 | 65115793                                                                          | PRESSURE SWITCH (PROPORTIONAL)<br>DETECTEUR PROPORTIONNEL                      |  | DRUCKWAECHTER-MINIMAL<br>PRESOSTATO PROPORCIONAL                               |  | WATERDRUKSENSOR<br>PRESSOSTATO PROPORZIONALE                                   |  | 1                                                                                   |
| 0604 | 6500706000                                                                        | PUMP ES2 3VK 63-7C-C US VER STEP2<br>POMPE ES2 3VK 63-7C-C US                  |  | PUMPE ES2 3VK 63-7C-C US VER STEP2<br>BOMBA ES2 3VK 63-7C-C US                 |  | POMP ES2 3VK 63-7C-C US VER STEP2<br>POMPA ES2 3VK 63-7C-C US                  |  | 1                                                                                   |
| 0607 | 64980195                                                                          | FLOW METER<br>CARTOUCHE DEBITMETRE KIT                                         |  | UMSCHALTER HEIZUNG / SANITAR<br>KIT OBTURADOR CALEFAC./SANIT.                  |  | DEBIETMETER FLOW SWITCH SANITAIR<br>FLUSSOSTATO SANITARIO                      |  | 1                                                                                   |
| 0611 | 64980196                                                                          | DHW FLOW RESTRICTORS (KIT)<br>LIMITEURS DE DEBIT KIT                           |  | TUELLESET<br>REDUCTOR (KIT)                                                    |  | DEBIETBEGRENZER (KIT)<br>IMITATORI DI PORTATA (KIT)                            |  | 1                                                                                   |



|      |            | EN                                                                                 |  | DE                                                                                 |  | NL                                                                                |  |    |
|------|------------|------------------------------------------------------------------------------------|--|------------------------------------------------------------------------------------|--|-----------------------------------------------------------------------------------|--|----|
|      |            | FR                                                                                 |  | ES                                                                                 |  | IT                                                                                |  |    |
| 0616 | 64980266   | DHW FILTER<br>FILTRE À EAU                                                         |  | WASSERFILTER<br>FILTRO DE AGUA                                                     |  | WATER FILTER<br>FILTRO ACQUA                                                      |  | 1  |
| 0618 | 64980220   | GROUP (COLD WATER INLET)<br>GROUPE D'ENTRÉE D'EAU FROIDE                           |  | GRUPPE (KALTWASSER EINLASS)<br>GRUPO DE ENTRADA DE AGUA FRÍA                       |  | INLAATGROEP KOUD WATER<br>GRUPPO ENTRATA ACQUA FREDDA                             |  | 1  |
| 0622 | 64980204   | BY-PASS<br>BY-PASS                                                                 |  | BY-PASS<br>BY-PASS                                                                 |  | BY-PASS<br>BY-PASS                                                                |  | 1  |
| 0651 | 64980155   | PIPE (C.H. RETURN)<br>TUBE RETOUR CHAUFFAGE                                        |  | RUCKLAUFROHR<br>TUBO RETORNO INSTALACION                                           |  | BUIS RETOUR VERWARMING<br>TUBO RITORNO                                            |  | 0  |
| 0664 | 65104322   | CLIP<br>CLIP                                                                       |  | KLAMMER PUMPE<br>CLIP                                                              |  | KLEM<br>CLIP                                                                      |  | 1  |
| 0670 | 990686-01  | TEMPERATURE PROBE + CLIP<br>SONDE NTC + CLIPS KIT                                  |  | NTC-SONDE MIT CLIPS KIT<br>SONDA NTC + CLIPS KIT                                   |  | VOELER NTC + KLEM KIT<br>SONDA NTC + CLIPS KIT                                    |  | 1  |
| 0672 | 64980200   | CLIP (FLOW METER)<br>CLIP INTERRUPTEUR DE DÉBIT                                    |  | CLIP (DURCHFLUSSSCHALTER)<br>CLIP INTERRUPTOR DE FLUJO                             |  | CLIP (STROOMSCHAKELAAR)<br>CLIP FLUSSIMETRO                                       |  | 1  |
| 0682 | 64980701   | GASKET 1 in ( AFM34/2 REINZ)<br>JOINT 1" AFM34/2                                   |  | DICHTUNG 1 Z, AFM34/2<br>JUNTA 1" AFM34/2                                          |  | AFDICHTING 1", AFM34/2<br>GUARNIZIONE ACQUA-GAS 1" AFM34/2                        |  | 10 |
| 0695 | 573520     | GASKET 3/4 INCH (AFM34/2 REINZ)<br>JOINT 3/4 PO. AFM34/2 REINZ                     |  | DICHTUNG 3/4 ZOLL AFM34/2 REINZ<br>JUNTA 3/4 PUL. AFM34/2 REINZ                    |  | AFDICHTING 3/4 INCH AFM34/2 REINZ<br>GUARNIZ.ACQUA-GAS 3/4 PO.AFM34/2 RE          |  | 10 |
| 0696 | 64980250   | GASKET (HYDROBLOCK)<br>JOINT HYDROBLOC                                             |  | DICHTUNG (HYDROBLOCK)<br>JUNTA (HIDROBLOQUE)                                       |  | DICHTING (HYDROBLOCK)<br>GUARNIZIONE GRUPPO IDRAULICO                             |  | 0  |
| 0697 | 65114928   | EXCHANGER GASKET<br>JOINT ECHANGEUR                                                |  | DICHTUNG WAERMETAUSCHER<br>JUNTA INTERCAMBIADOR                                    |  | DICHTING WISSELAAR<br>GUARNIZIONE SCAMBIATORE                                     |  | 5  |
| 0698 | 64980202   | O-RING 13.95 X 2.62<br>JOINT TORIQUE D: 13.95 X 2.62                               |  | NDDICHTRING D: 13.95 X 2.62<br>JUNTA TORICA D: 13.95 X 2.62                        |  | DICHTINGSRING D: 13.95 X 2.62<br>ANELLO OR 13.95 X 2.62                           |  | 1  |
| 0801 | 998382     | GROMMET(PCD TOOL ACCESS)<br>JOINT ENTREE REGULATION                                |  | GUMMIABDECKUNG POTENTIOMETER<br>JUNTA                                              |  | DICHTING<br>GOMMINO ACCESSO REGOLAZIONE                                           |  | 5  |
| 0804 | 65112054   | CARD FIXING WASHER<br>RONDELLE FIXATION CARTE                                      |  | SCHIBE<br>ARANDELA DE FIJAC.DE TARJETAS                                            |  | KAARTBEVESTIGINGSWASMACHINE<br>RONDELLA FISSAGGIO SCHEDA                          |  | 1  |
| 0814 | 64980075   | CONTROL PANEL BASE<br>PORTE INSTRUMENTS                                            |  | INSTRUMENTENHALTER<br>FRONTAL                                                      |  | BEHUIZING BEDIENINGSPANEEL<br>PORTASTRUMENTI                                      |  | 1  |
| 0815 | 6500604600 | P.C.B. (MAIN)<br>CIRCUIT IMPRIME PRINCIPAL                                         |  | ELEKTROHAUPTPLATINE<br>CIRCUITO PRINCIPAL                                          |  | PRINTKAART<br>SCHEDA PRINCIPALE                                                   |  | 1  |
| 0816 | 6500604400 | P.C.B. (DISPLAY) SERIES II<br>CIRCUIT IMPRIME D'AFFICHAGE                          |  | DISPLAYPLATINE<br>CIRCUITO DISPLAY                                                 |  | PRINT DISPLAY<br>SCHEDA DISPLAY                                                   |  | 1  |
| 0819 | 6500670000 | WIRING (WIFI)<br>CÂBLAGE (WIFI)                                                    |  | VERKABELUNG (WIFI)<br>CABLEADO (WIFI)                                              |  | BEDRADING (WIFI)<br>CABLAGGIO WIFI                                                |  | 1  |
| 0824 | 64980402   | CONTROL PANEL COVER<br>COUVERCLE ARRIERE TABLEAU COMM.                             |  | RUCKWARTIGER DECKEL, FRONTBLLENDE<br>TAPA POSTER.PANEL DE MANDOS                   |  | HOUDER STUURPRINT<br>COPERCHIO BOX                                                |  | 1  |
| 0841 | 6500604500 | DIAL, SERIES II DISPLAY<br>BOUTON DU SELECTEUR                                     |  | DREHKNOPF<br>MANDO                                                                 |  | KNOP<br>MANOPOLA                                                                  |  | 1  |
| 0842 | 64980234   | CONTROL PANEL HINGE (R.H.Side)<br>SUPPORT (droit)                                  |  | TRAGER<br>SOPORTE                                                                  |  | SUPPORT<br>SUPPORTO DX                                                            |  | 1  |
| 0843 | 64980235   | CONTROL PANEL HINGE (L.H.Side)<br>SUPPORT (gauche)                                 |  | TRAGER<br>SOPORTE                                                                  |  | SUPPORT<br>SUPPORTO SX                                                            |  | 1  |
| 0851 | 6500679900 | CONTROL PANEL<br>TABLEAU DE COMMANDE                                               |  | FRONTBLLENDE<br>FRONTAL                                                            |  | BEDIENINGSPANEEL<br>FRONTALINO                                                    |  | 1  |
| 0880 | 64980080   | CABLE (SPARK GENERATOR)<br>CÂBLE (GÉNÉRATEUR D'ÉTINCELLES)                         |  | KABEL (ZUNDTRAFO)<br>CABLE (GENERADOR DE CHISPA)                                   |  | KABEL (VONKENGULATOR)<br>CABLAGGIO ACCENDITORE                                    |  | 1  |
|      | 64980097   | CABLE (DETECTION ELECTRODE)<br>CABLAGE ELECTRODE IONISATION                        |  | IONISATIONS KABEL<br>CABLE ELECTRODO DE DETECCION                                  |  | CABLE (DETECTION ELECTRODE)<br>CAVO ELETTRODO RILEVAZIONE                         |  | 1  |
|      | 64980109   | GAS VALVE CABLE<br>CABLAGE VANNE GAZ                                               |  | KABEL ZUNDER<br>CABLEADO VALVULA GAS                                               |  | BEDRADING GASBLOK<br>CABLAGGIO VALVOLA GAS                                        |  | 1  |
|      | 64980248   | CABLE (BOILER POWER SUPPLY)<br>CABLE (alimentation de la chaudiere)                |  | KABEL (KESSEL-STROMVERSORGUNG)<br>CABLE DE ALIMENT.DE LA CALDERA                   |  | KABEL (STROOMVOORZIENING)<br>CAVO ALIMENTAZIONE CALDAIA                           |  | 1  |
|      | 64980249   | BLOWER POWER PIGTAIL (nrg118 to nrg 128)<br>ADAPTAT.DE CABLE DE VENTIL.(118->128)  |  | KABEL (VENTILATOR-STROMVERSORG.)<br>CABLE DE ALIMENT.DE VENTILADOR                 |  | VENTILATOR KABEL ADAPT.(nrg118->nrg128)<br>CAVO ADATTATORE VENTILATORE            |  | 1  |
|      | 6500605100 | DISPLAY WIRING - 5 WIRES BLACK<br>CABLAGE AFFICHEUR - 5 FILS NOIR                  |  | KABEL DISPLAY 5P L240MM<br>CABLEADO DISPLAY - 5 cables negro                       |  | BEDRADING DISPLAY<br>CABLAGGIO DISPLAY - 5 CAVI NERI                              |  | 1  |
|      | 6500666100 | 3-WAY VALVE CABLE<br>CABLAGE VANNE 3 VOIES                                         |  | KABEL 3-WEGEVENTIL<br>CABLEADO VALVULA DE TRES VIAS                                |  | BEDRADING DRIEWEG KLEP<br>CABLAGGIO VALVOLA A 3 VIE                               |  | 1  |
|      | 6500669800 | WIRING (PUMP)<br>CÂBLAGE (POMPE)                                                   |  | VERKABELUNG (PUMPE)<br>CABLEADO (BOMBA)                                            |  | BEDRADING (POMP)<br>CABLAGGIO POMPA                                               |  | 1  |
|      | 6500669900 | CABLE (JUNCTION BOX POWER SUPPLY)<br>CÂBLE (aliment.de la boîte de jonction)       |  | KABEL (anschlusskasten-stromversorgung)<br>CABLE DE ALIMENTAC.(caja de conexiones) |  | KABEL (AANSLUITKAST VOEDING)<br>CAVO ALIMENTAZIONE JUNCTION BOX                   |  | 1  |
|      | 6500670100 | 3-WAY VALVE CABLE<br>CABLAGE VANNE 3 VOIES                                         |  | KABEL 3-WEGEVENTIL<br>CABLEADO VALVULA DE TRES VIAS                                |  | BEDRADING DRIEWEG KLEP<br>CABLAGGIO VALVOLA A 3 VIE                               |  | 1  |
|      | 6500670200 | CABLE (FAN-POWER SUPPLY)<br>CABLE (ALIMENT.DE VENTILATEUR)                         |  | KABEL (VENTILATOR-STROMVERSORG.)<br>CABLE DE ALIMENT.DE VENTILADOR                 |  | KABEL (FAN-VOEDING)<br>CAVO ALIMENTAZIONE VENTILATORE                             |  | 1  |
|      | 6500680100 | CABLE (PWM)<br>CABLAGE PWM                                                         |  | VERBINDUNG PWM<br>CABLEADO PWM                                                     |  | KABEL PWM<br>CABLAGGIO PWM                                                        |  | 1  |
|      | 6500689400 | WIRING (flue sens.-aps-del./return ntc)<br>CÂBLE (sonde fumées-pressost.air-sonde) |  | KABEL (rauchsonde-luftdrucksch.-sonden)<br>CABLE (sonda humos-presost.aire-sondas) |  | KABEL (rooksonde-luchtdruckschak.-sondes)<br>CAVO (sens.fumi-press.to aria-sonde) |  | 1  |

|      |  |  | EN                                                                          | DE                                                                                | NL                                                                       |  |
|------|-----------------------------------------------------------------------------------|-----------------------------------------------------------------------------------|-----------------------------------------------------------------------------|-----------------------------------------------------------------------------------|--------------------------------------------------------------------------|-------------------------------------------------------------------------------------|
|      |                                                                                   |                                                                                   | FR                                                                          | ES                                                                                | IT                                                                       |                                                                                     |
|      |                                                                                   |                                                                                   | CABLE (PUMP 5M PWM TACO)<br>CABLE POMPE 5M PWM TACO                         | VERKABELUNG PUMPE 5M PWM TACO<br>CABLEADO BOMBA 5M PWM TACO                       | BEDRADING POMP 5M PWM TACO<br>CAVO POMPA 5M PWM TACO                     | 1                                                                                   |
| 0881 | 65111933                                                                          |                                                                                   | CONNECTOR 2P<br>CONNECTEUR 2 POLES                                          | STECKER 2 POL. RAST 5<br>CONECTOR 2P                                              | STEKKER 2-POLIG<br>CONNETTORE 2 POLI                                     | 5                                                                                   |
| 0882 | 65119782                                                                          |                                                                                   | FUSE 5X20 RIT. 5 A 250V<br>FUSIBLE 5X20 RIT. 5 A 250V                       | SICHERUNG 5X20 RIT. 5 A 250V<br>FUSIBLE 5X20 RIT. 5 A 250V                        | ZEKERING 5X20 RIT. 5 A 250V<br>FUSIBILE 5X20 RIT. 5 A 250V               | 1                                                                                   |
| 0883 | 6500604900                                                                        |                                                                                   | GROMMET<br>CAPSULE ENTREE CABLES                                            | KABELEINGANGSGUMMISCHEIBE<br>GOMA ENTRADA CABLES                                  | KABELDOORVOER RUBBER<br>GOMMINO                                          | 1                                                                                   |
| 0885 | 6500605900                                                                        |                                                                                   | JUNCTION BOX BASE<br>COUVERCLE FIXE (boite de jonction)                     | FESTE ABDECKUNG (JUNKTIONSKASTEN)<br>CUBIERTA FIJA (CAJA DE JUNTOS)               | VASTE COVER (VERBINDINGSBOX)<br>FONDO JUNCTION BOX                       | 1                                                                                   |
| 0886 | 6500605800                                                                        |                                                                                   | JUNCTION BOX COVER<br>COUVERCLE (BOITE DE JONCTION)                         | ABDECKUNG (JUNKTIONSKASTEN)<br>CUBIERTA (CAJA DE JUNTOS)                          | DEKKING (JUNCTION BOX)<br>COPERCHIO JUNCTION BOX                         | 1                                                                                   |
| 0888 | 6500605700                                                                        |                                                                                   | P.C.B. (JUNCTION BOX)<br>CIRCUIT CLIP-IN 2 ZONES                            | LEITERPLATTE CLIP-IN 2 ZONES<br>CIRCUITO ELECTRON.CLIP-IN 2 ZONES                 | PRINTKAART (CLIP IN 2 ZONES)<br>SCHEMA CLIP-IN 2 ZONE                    | 1                                                                                   |
| 0889 | 6500771200                                                                        |                                                                                   | P.C.B. (WIFI-REM4)<br>CIRCUIT IMPRIME REM 4                                 | ELEKTROPLATINE (REM4)<br>CIRCUITO REM4                                            | PRINTKAART REM4<br>SCHEMA REM4                                           | 1                                                                                   |
| 0890 | 65103377                                                                          |                                                                                   | CABLE CLAMP<br>PASSE CABLE PRESSOSTAT                                       | KABELKLEMME<br>SUJETA-CABLE                                                       | KABELDOORVOER DRUKSCHAKELAAR<br>PRESSACAVO                               | 1                                                                                   |
| 5001 | 6500690100                                                                        |                                                                                   | CONVERSION KIT (85-->110 KW - LP)<br>CONVERSION KIT (85-->110 KW - LP)      | CONVERSION KIT (85-->110 KW - LP)<br>CONVERSION KIT (85-->110 KW - LP)            | CONVERSION KIT (85-->110 KW - LP)<br>TRASFORMAZ.GAS GPL 85-->110KW       | 1                                                                                   |
|      | 6500690300                                                                        |                                                                                   | CONVERSION KIT (150 KW - LP)<br>CONVERSION KIT (150 KW - LP)                | CONVERSION KIT (150 KW - LP)<br>CONVERSION KIT (150 KW - LP)                      | CONVERSION KIT (150 KW - LP)<br>TRASFORMAZIONE GAS GPL 150KW             | 1                                                                                   |
|      | 6500690600                                                                        |                                                                                   | CONVERSION KIT (199 KW - LP)<br>CONVERSION KIT (199 KW - LP)                | CONVERSION KIT (199 KW - LP)<br>CONVERSION KIT (199 KW - LP)                      | CONVERSION KIT (199 KW - LP)<br>TRASFORMAZIONE GAS GPL 199KW             | 1                                                                                   |
| 5002 | 64980218                                                                          |                                                                                   | OUTDOOR SENSOR<br>SONDE EXTERIEURE FILAIRE                                  | AUSSENUEHLER<br>SONDA EXTERNA CON CABLES                                          | BUITENVOELER<br>SONDA ESTERNA CON CAVI                                   | 1                                                                                   |
| 5003 | 65118683                                                                          |                                                                                   | PRESSURE RELIEF VALVE<br>SOUPAPE DE SECURITE                                | SICHERHEITSVENTIL<br>VALVULA DE SEGURIDAD                                         | VEILIGHEIDSGROEP<br>VALVOLA DI SICUREZZA                                 | 1                                                                                   |
| 5005 | 6000083991                                                                        |                                                                                   | 3 CPVC SYS 636, 5 LONG<br>3 CPVC SYS 636, 5 LONG                            | 3 CPVC SYS 636, 5 LONG<br>3 CPVC SYS 636, 5 LONG                                  | 3 CPVC SYS 636, 5 LONG<br>3 CPVC SYS 636, 5 LONG                         | 0                                                                                   |
| 5010 | 65118685                                                                          |                                                                                   | PRESSURE/TEMPERATURE GAUGE<br>MANOMETRE / THERMOMETRE                       | THERMOHYDROMETER<br>TERMOMANOMETRO                                                | MANOMETER - THERMOMETER<br>TERMOIDROMETRO                                | 1                                                                                   |
| 5022 | 6500690000                                                                        |                                                                                   | KIT (INSTALLATION - 85-->110 KW)<br>KIT (INSTALLATION - 85-->110 KW)        | KIT (INSTALLATION - 85-->110 KW)<br>KIT (INSTALLATION - 85-->110 KW)              | KIT (INSTALLATION - 85-->110 KW)<br>KIT INSTALLAZIONE 85-->110KW         | 1                                                                                   |
|      | 6500690200                                                                        |                                                                                   | KIT (INSTALLATION - 150 KW)<br>KIT (INSTALLATION - 150 KW)                  | KIT (INSTALLATION - 150 KW)<br>KIT (INSTALLATION - 150 KW)                        | KIT (INSTALLATION - 150 KW)<br>KIT INSTALLAZIONE 150KW                   | 1                                                                                   |
|      | 6500690500                                                                        |                                                                                   | KIT (INSTALLATION - 199 KW)<br>KIT (INSTALLATION - 199 KW)                  | KIT (INSTALLATION - 199 KW)<br>KIT (INSTALLATION - 199 KW)                        | KIT (INSTALLATION - 199 KW)<br>KIT INSTALLAZIONE 199KW                   | 1                                                                                   |
| 5023 | 64980211                                                                          |                                                                                   | ROUND MESH.VENT SCREEN (2.25 in)<br>MAILLE RONDE ÉCRAN D'ÉVENT (2,25 in)    | RUNDES MESH, ENTLÜFT.SBILDSCH.(2,25 in)<br>MALLA REDON.PANTALLA DE VENT.(2,25 in) | RONDE MESH, VENT-SCHERM (2,25 in)<br>PROTEZIONE SCARICO FUMI (2,25 in)   | 1                                                                                   |
| 5025 | 64980212                                                                          |                                                                                   | ROUND MESH, VENT SCREEN (3.375 in)<br>MAILLE RONDE ÉCRAN D'ÉVENT (3,375 in) | RUNDES MESH, ENTLÜFT.SBILDSCH.(3,375 in)<br>MALLA RED.PANTALLA DE VENT.(3,375 in) | RONDE MESH, VENT-SCHERM (3,375 in)<br>PROTEZIONE SCARICO FUMI (3,375 in) | 0                                                                                   |
| 5026 | 64980093                                                                          |                                                                                   | BRACKET (WALL MOUNT-BOTTOM)<br>SUPPORT DE MONT.MURAL INFÉR.                 | UNTERE WANDHALTERUNG<br>SOPORTE DE MONT.EN PARED INF.                             | ONDERSTE MUURBEUGEL<br>STAFFA D'AGGANCIO INFERIORE                       | 0                                                                                   |
| 5027 | 64980096                                                                          |                                                                                   | WALL HOOK<br>PLATINE SUPPORT MURAL                                          | WANDHALTERPLATTE<br>PLACA SOPORTE MURAL                                           | WANDBEVESTIGING<br>STAFFA D'AGGANCIO SUPERIORE                           | 0                                                                                   |
| 5028 | 64980213                                                                          |                                                                                   | WALL MOUNT HARDWARE LEG BOLT<br>BOULON DE JAMBE DE MATÉR.DE MONT.MURAL      | BEINSCHRAUBE FÜR WANDHALTERUNG<br>PERNO DE PIERNA DE MONT.EN PARED                | WANDMONTAGE HARDWARE BEENBOUT<br>KIT (MONTAGGIO-BULLONI)                 | 0                                                                                   |
| 5029 | 64980214                                                                          |                                                                                   | WALL MOUNT HARDWARE PLASTIC PLUG<br>BOUCHON PLAST.MATÉRIEL MURAL            | WALL MOUNT HARDWARE PLASTIC PLUG<br>ENCHUFE DE PLÁST.DE MONT.EN PARED             | WANDMONTAGE HARDWARE PLAST.PLUG<br>KIT (FISCHER)                         | 0                                                                                   |
| 5030 | 64980215                                                                          |                                                                                   | WALL MOUNT HARDWARE WASHER<br>KIT (RONDELLES GALVANISÉES)                   | KIT (VERZINKTE WHASHER)<br>KIT (ARANDELA GALVANIZADA)                             | KIT (WASHER zink)<br>KIT (RONDELLE ZINCATE)                              | 0                                                                                   |
| 5031 | 64980098                                                                          |                                                                                   | GAS VENT DIRECTLY BELOW DECAL<br>PLAQUE D'AVERTISS.POUR ÉVENT DE GAZ        | WARNSCHILD FÜR GASENTLÜFTUNG<br>PLACA DE ADVERT.PARA VENTILAC.                    | WAARSCHUWINGSPL.VOOR GASONTLUCHT.<br>TARGHETTA AVVERTENZA GAS VENT       | 0                                                                                   |
| 5032 | 65117092                                                                          |                                                                                   | PLASTIC PIPE CONDENSATE DRAIN<br>TUBE CONDENSÉ EN PLASTIQUE                 | ROHRKONDENSATION, KUNSTSTOFF<br>TUBO DE PLÁSTICO CONDENSA                         | LEIDING CONDENS KUNSTSTOF<br>TUBO PLASTICA CONDENSA                      | 1                                                                                   |
|      |                                                                                   |                                                                                   |                                                                             |                                                                                   |                                                                          |                                                                                     |
|      |                                                                                   |                                                                                   |                                                                             |                                                                                   |                                                                          |                                                                                     |
|      |                                                                                   |                                                                                   |                                                                             |                                                                                   |                                                                          |                                                                                     |
|      |                                                                                   |                                                                                   |                                                                             |                                                                                   |                                                                          |                                                                                     |
|      |                                                                                   |                                                                                   |                                                                             |                                                                                   |                                                                          |                                                                                     |
|      |                                                                                   |                                                                                   |                                                                             |                                                                                   |                                                                          |                                                                                     |
|      |                                                                                   |                                                                                   |                                                                             |                                                                                   |                                                                          |                                                                                     |
|      |                                                                                   |                                                                                   |                                                                             |                                                                                   |                                                                          |                                                                                     |
|      |                                                                                   |                                                                                   |                                                                             |                                                                                   |                                                                          |                                                                                     |
|      |                                                                                   |                                                                                   |                                                                             |                                                                                   |                                                                          |                                                                                     |



---

## IDENTIFICATION PLATE

### SERIAL NUMBER

16 Characters :

