



SPARE PARTS EXPLODED VIEW GAS-WALL CONDENSING BOILERS

Model

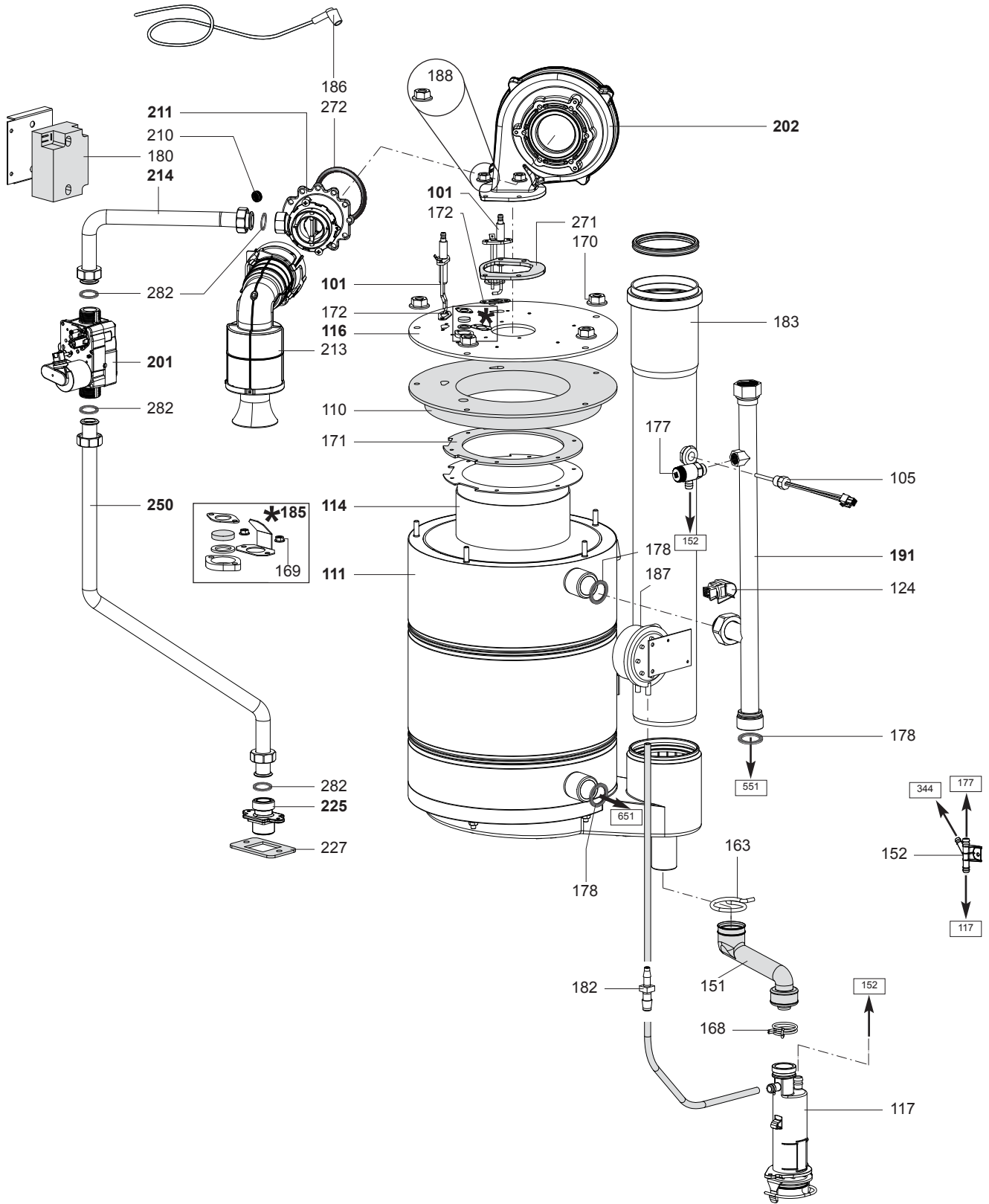
FTVN (C)

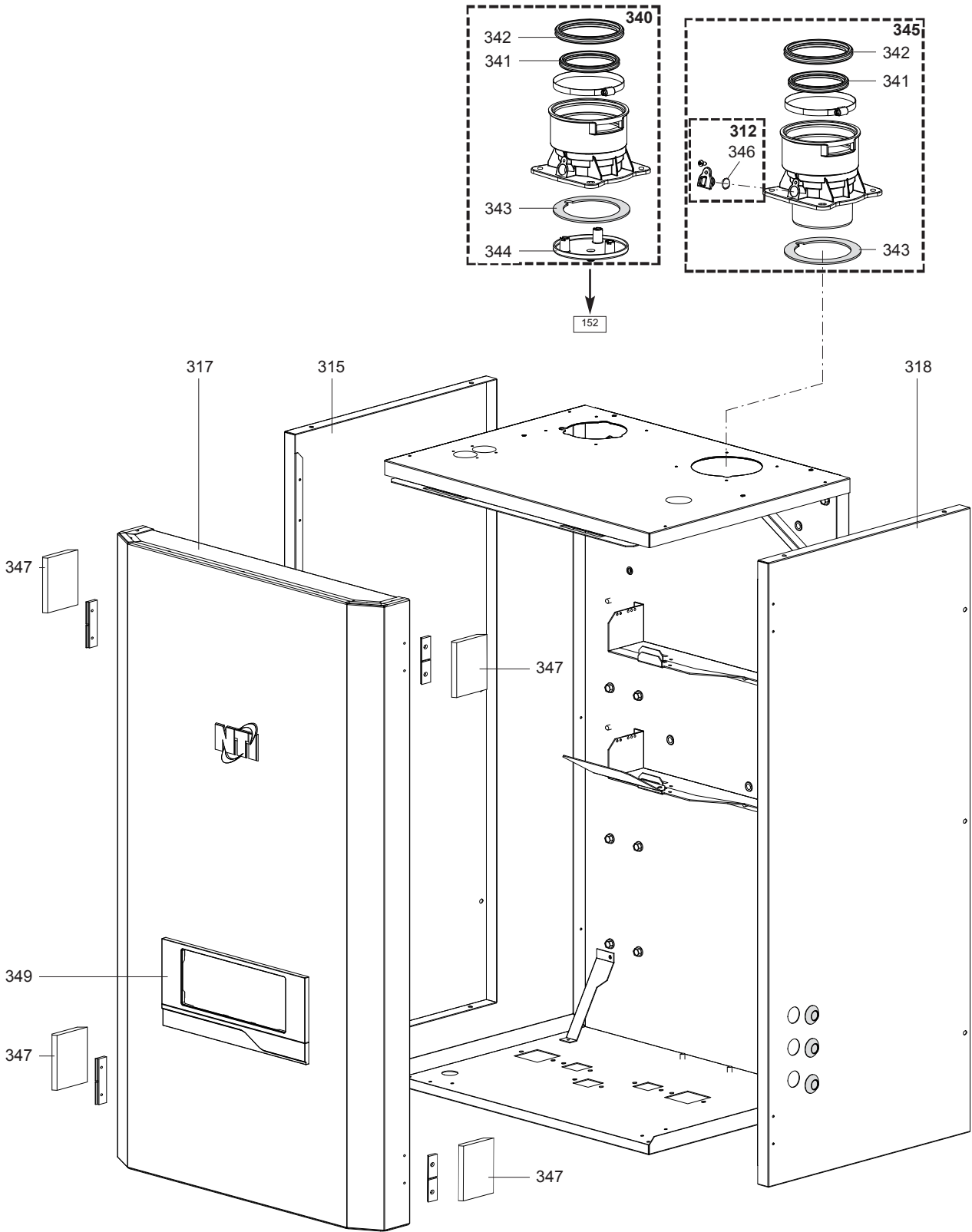
R8218553-03 - 20/06/2022

FTVN (C)

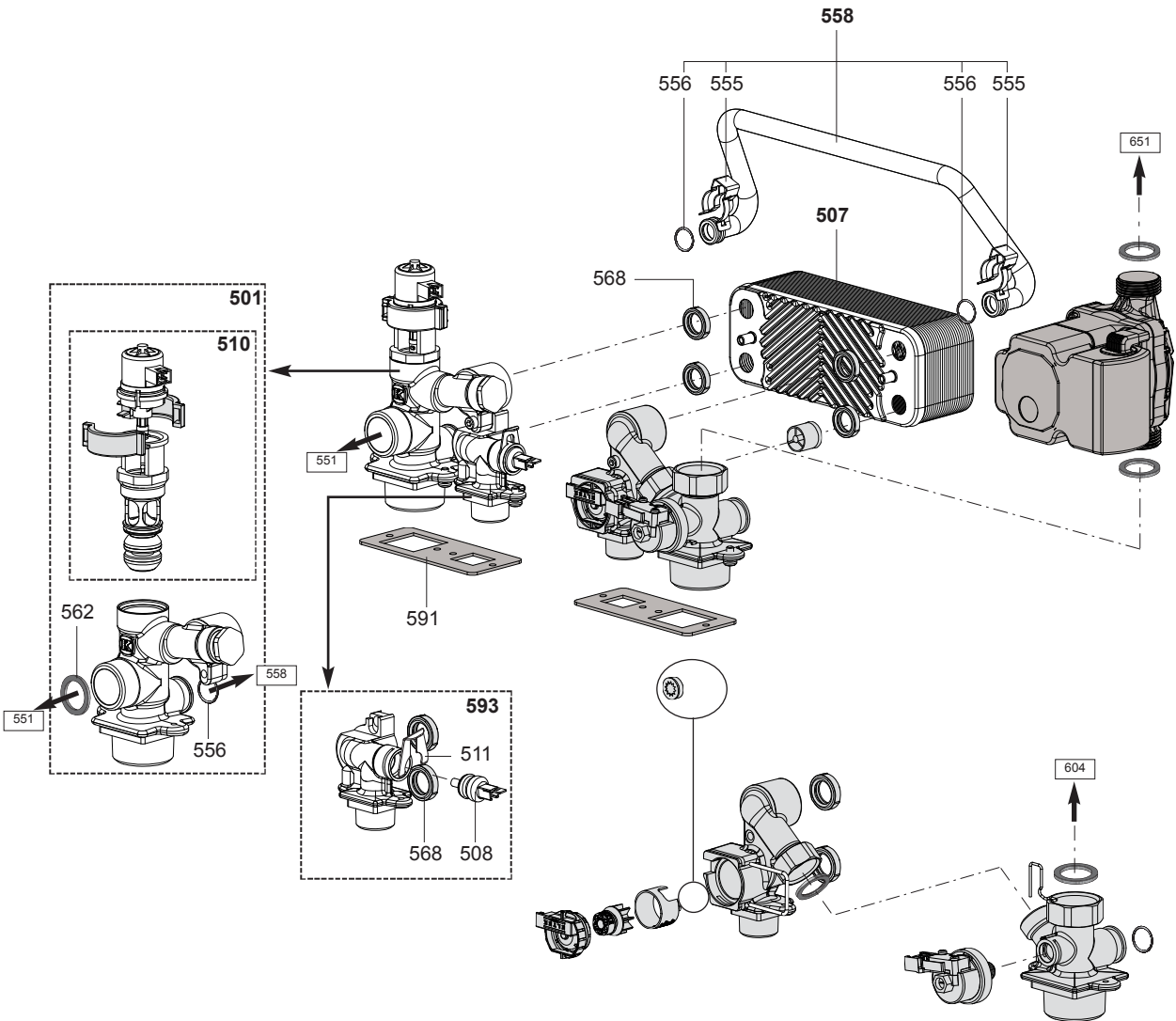
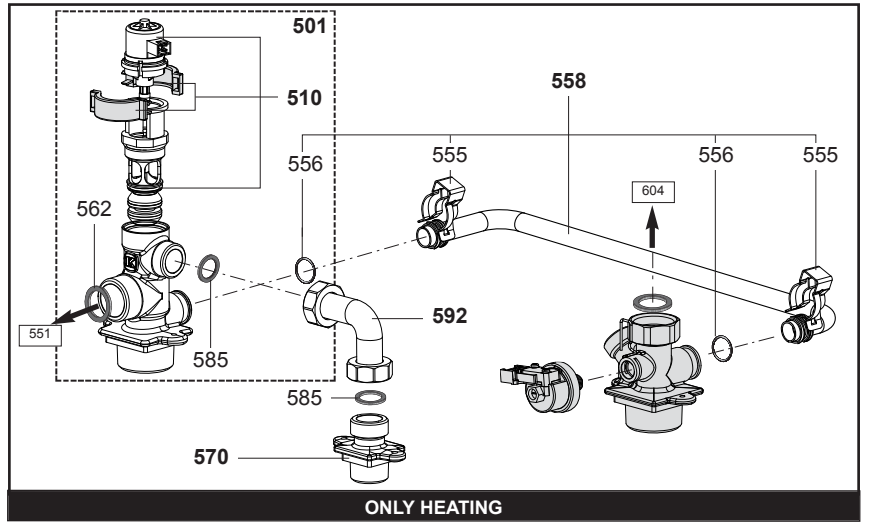
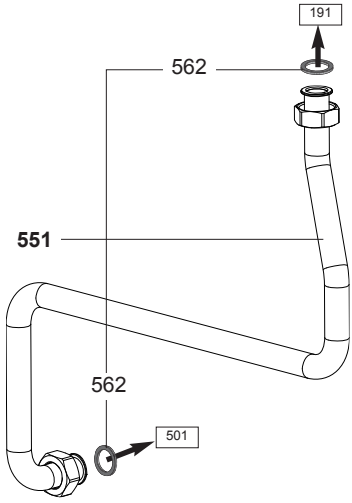
Gas-wall condensing boilers

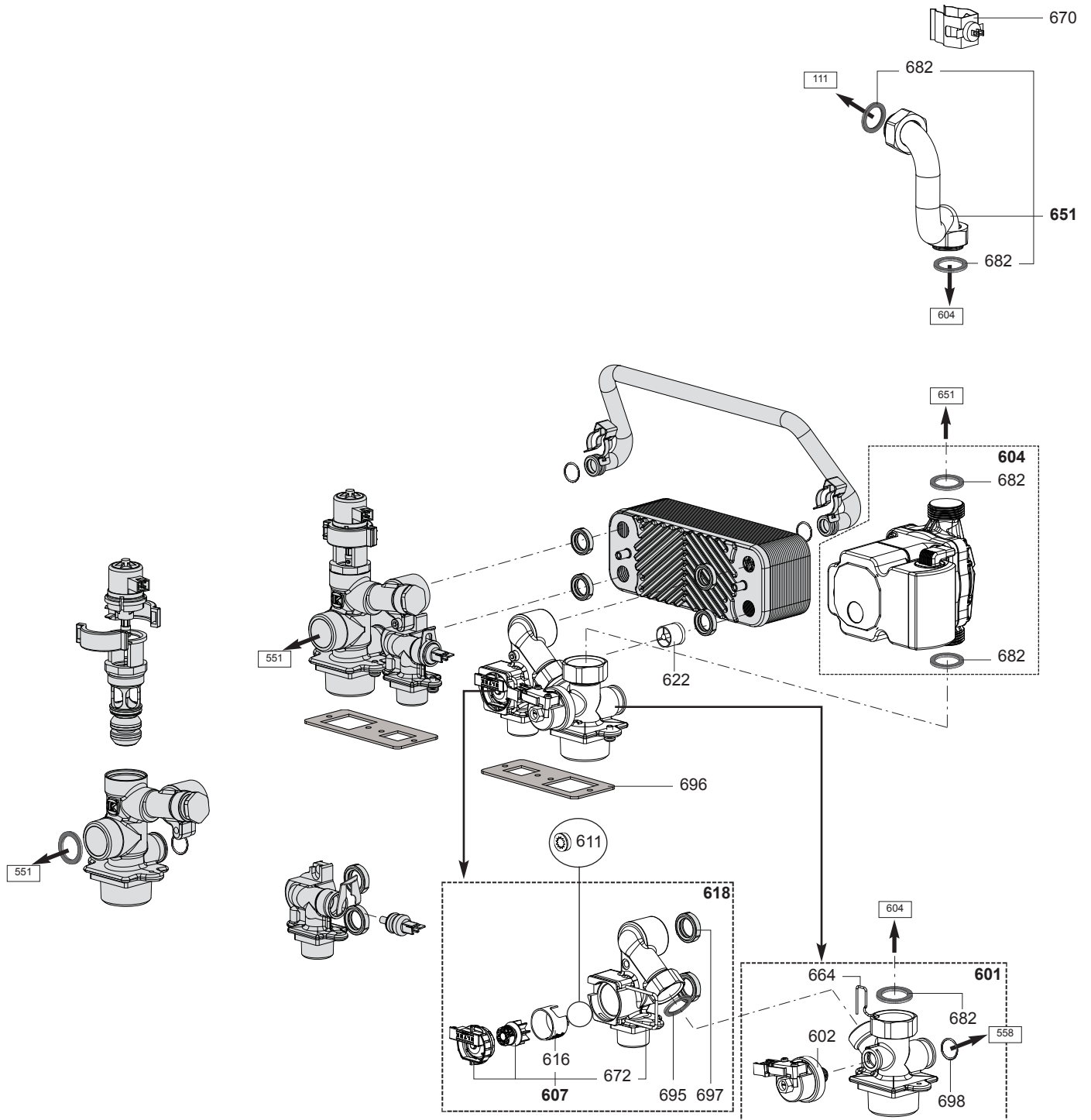
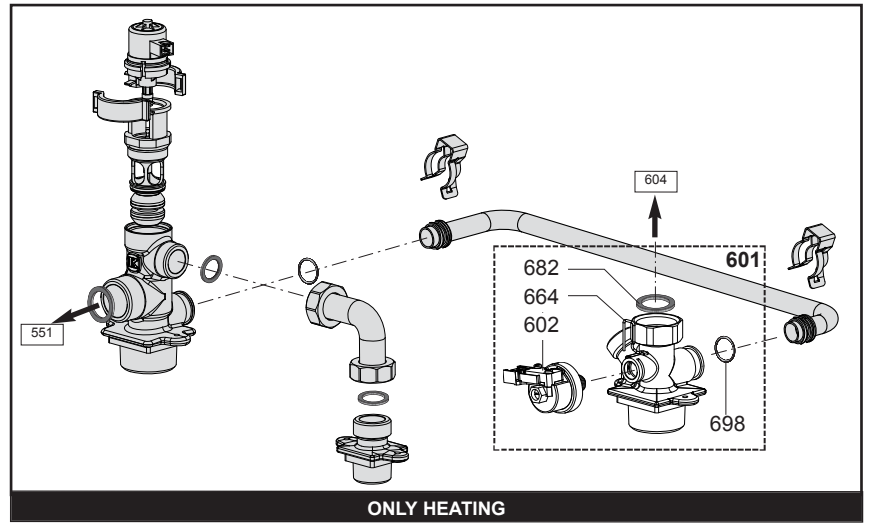
1	0FTVN085	FTVN085	07-2020	-
2	0FTVN110	FTVN110	07-2020	-
3	0FTVN110C	FTVN110C	07-2020	-
4	0FTVN150	FTVN150	07-2020	-
5	0FTVN150C	FTVN150C	07-2020	-
6	0FTVN199	FTVN199	07-2020	-
7	0FTVN199C	FTVN199C	07-2020	-
Col	Reference	Model type	Begin	End



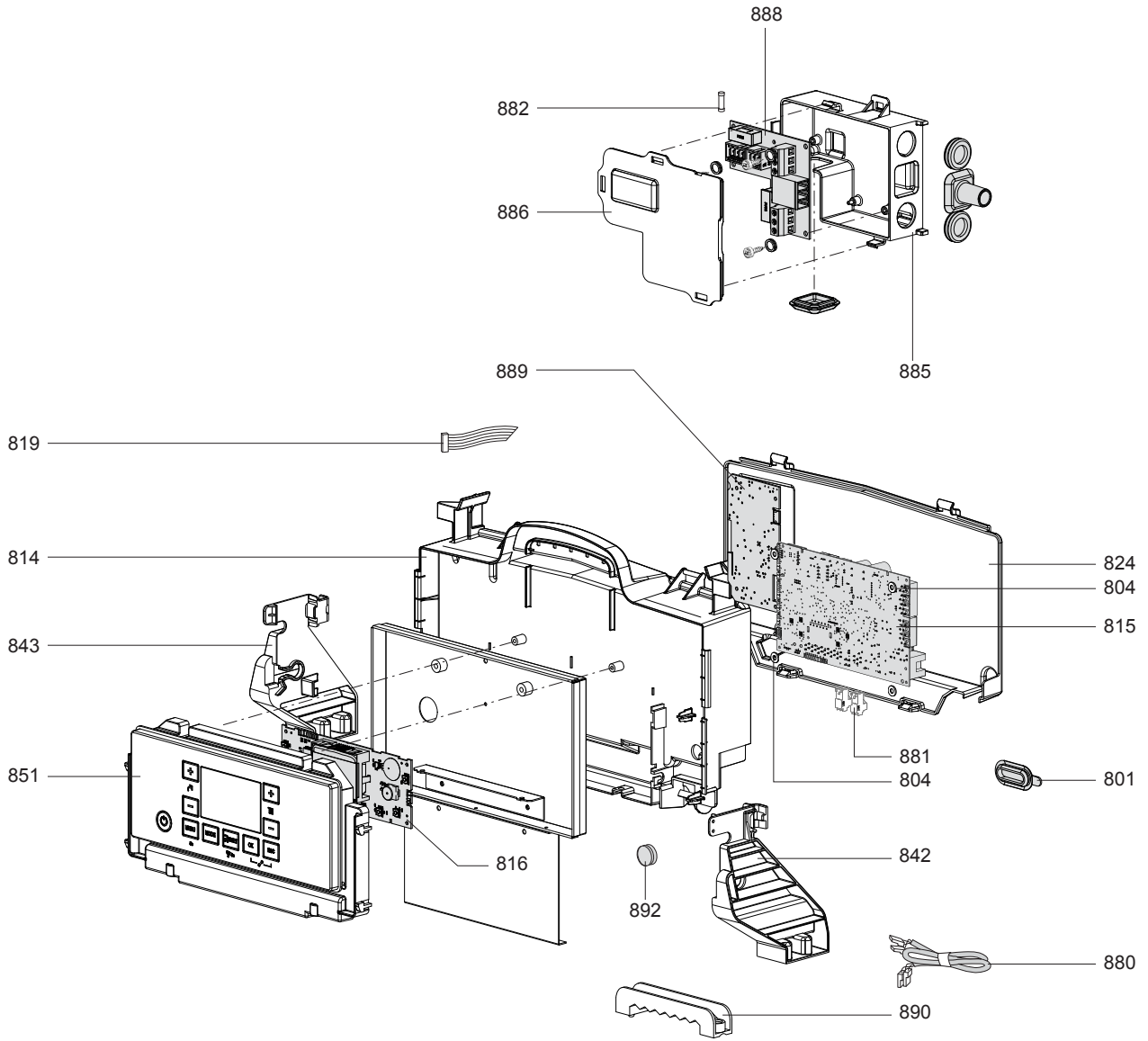


☉	Description	Manf. Pt. N	Type	FTVN085 FTVN110 FTVN10C FTVN180 FTVN150C FTVN189 FTVN199C																		31		
				1	2	3	4	5	6	7	8	9	10	11	12	13	14	15	16	17	18	From	to	
0300	CHASSIS-FRONT CASE																							
0312	FLUE TEST PORT PLUG	64980209		•	•	•	•	•	•	•														
0315	PANEL (LEFT-SIDE-GRAY-LARGE)	64980230								•	•	•	•											
	PANEL (LEFT-SIDE-GRAY-SMALL)	64980231		•	•	•																		
0317	FRONT PANEL+TOP+BOTTOM (GREY)	64980232		•	•	•	•	•	•	•														
0318	PANEL (RIGHT-SIDE-GRAY-LARGE)	64980270								•	•	•	•											
	PANEL (RIGHT-SIDE-GRAY-SMALL)	64980271		•	•	•																		
0340	ADAPTOR (AIR INLET)	64980206		•	•	•	•	•	•	•														
0341	SEAL GASKET OUTLET 80	64980237		•	•	•	•	•	•	•														
0342	GASKET D90 EPDM SH.A PEROX	64980207		•	•	•	•	•	•	•														
0343	FOAM FLUE GAS ADAPTOR	64980208		•	•	•	•	•	•	•														
0344	TRAY CONDENS	64980233		•	•	•	•	•	•	•														
0345	ADAPTOR (FLUE OUTLET)	64980210		•	•	•	•	•	•	•														
0346	O-RING SEAL 2,7X8,9 EPDM PEROX 70 Sh.	64980236		•	•	•	•	•	•	•														
0347	DOOR LATCH	64980238		•	•	•	•	•	•	•														
0349	FACIA	64980264		•	•	•	•	•	•	•														





☉→	Description	Manf. Pt. N	Type	<div style="display: flex; justify-content: space-between;"> <div style="text-align: right;">FTVN085 FTVN110 FTVN10C FTVN180 FTVN150C FTVN189 FTVN199C</div> <div style="border: 1px solid black; padding: 2px; text-align: center;">31</div> </div>																		From	to			
				1	2	3	4	5	6	7	8	9	10	11	12	13	14	15	16	17	18					
0600	RETURN GROUP																									
0601	GROUP (PUMP)	64980183		●	●		●		●																	
	GROUP (PUMP-COMBI)	64980221				●			●		●															
0602	LOW PRESSURE SWITCH	65118663		●	●	●	●	●	●	●	●	●	●	●	●	●	●	●	●	●	●	●	●	●	●	●
0604	PUMP ES2 3VK 63-7C-C US	64980191		●	●	●	●	●	●	●	●	●	●	●	●	●	●	●	●	●	●	●	●	●	●	●
0607	FLOW METER	64980195				●			●		●		●													
0611	DHW FLOW RESTRICTORS (KIT)	64980196				●			●		●		●													
0616	DHW FILTER	64980266							●		●		●													
0618	GROUP (COLD WATER INLET)	64980220				●			●		●		●													
0622	BY-PASS	64980204		●	●	●	●	●	●	●	●	●	●	●	●	●	●	●	●	●	●	●	●	●	●	●
0651	PIPE (C.H. RETURN)	64980155		●	●	●	●	●	●	●	●	●	●	●	●	●	●	●	●	●	●	●	●	●	●	●
0664	CLIP	65104322		●	●	●	●	●	●	●	●	●	●	●	●	●	●	●	●	●	●	●	●	●	●	●
0670	TEMPERATURE PROBE + CLIP	990686-01		●	●	●	●	●	●	●	●	●	●	●	●	●	●	●	●	●	●	●	●	●	●	●
0672	CLIP (FLOW METER)	64980200							●		●		●													
0682	GASKET (PUMP)	64980157		●	●	●	●	●	●	●	●	●	●	●	●	●	●	●	●	●	●	●	●	●	●	●
0695	GASKET 3/4 in 24x15x2	64980201							●		●		●													
0696	GASKET (HYDROBLOCK)	64980250		●	●	●	●	●	●	●	●	●	●	●	●	●	●	●	●	●	●	●	●	●	●	●
0697	EXCHANGER GASKET	65114928							●		●		●													
0698	O-RING 13.95 X 2.62	64980202							●		●		●													



Description	Manf. Pt. N	Type	FTVN085 FTVN110 FTVN10C FTVN150 FTVN150C FTVN199 FTVN199C																		From	to
			1	2	3	4	5	6	7	8	9	10	11	12	13	14	15	16	17	18		

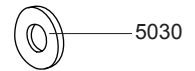
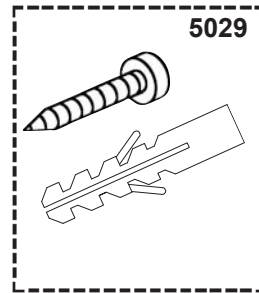
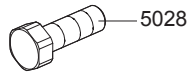
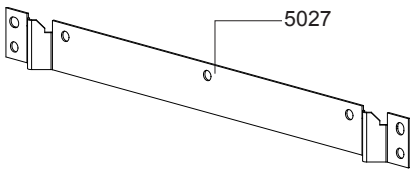
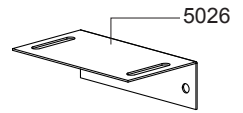
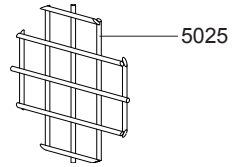
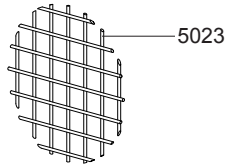
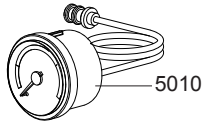
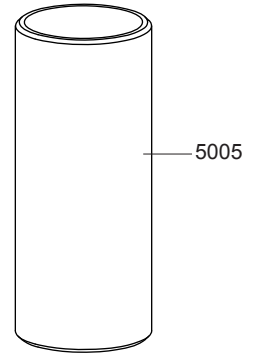
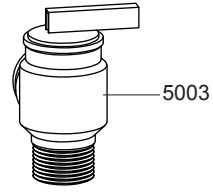
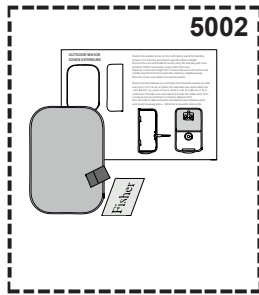
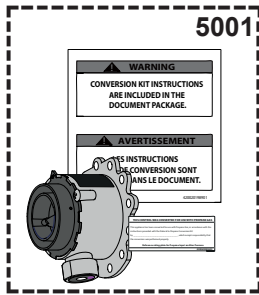
31

0800 ELECTRICAL BOX			1	2	3	4	5	6	7	8	9	10	11	12	13	14	15	16	17	18	From	to
0801	GROMMET (PCD TOOL ACCESS)	998382	•	•	•	•	•	•	•	•												
0804	WASHER	65112054	•	•	•	•	•	•	•	•												
0814	CONTROL PANEL BASE	64980075	•	•	•	•	•	•	•	•												
0815	P.C.B. (MAIN)	64980224	•	•	•	•	•	•	•	•												
0816	P.C.B. (DISPLAY)	64980225-01	•	•	•	•	•	•	•	•												
0819	WIRING (WI-FI BOARD)	65121202	•	•	•	•	•	•	•	•												
0824	CONTROL PANEL COVER	64980402	•	•	•	•	•	•	•	•												
0842	CONTROL PANEL HINGE (R.H.Side)	64980234	•	•	•	•	•	•	•	•												
0843	CONTROL PANEL HINGE (L.H.Side)	64980235	•	•	•	•	•	•	•	•												
0851	CONTROL PANEL	65119087	•	•	•	•	•	•	•	•												
0880	3-WAY VALVE CABLE	64980078				•			•		•											
	3-WAY VALVE CABLE	65118657	•	•					•		•											
	BLOWER POWER PIGTAIL (NRG118 TO NRG 128)	64980249								•	•											
	CABLE (BOILER POWER SUPPLY)	64980248	•	•	•	•	•	•	•	•												
	CABLE (DETECTION ELECTRODE)	64980097	•	•	•	•	•	•	•	•												
	CABLE (FAN-POWER SUPPLY)	64980110	•	•	•	•	•	•	•	•												
	CABLE (FUME PROBE)	64980111	•	•	•	•	•	•	•	•												
	CABLE (PUMP 5M PWM TACO)	65118695	•	•	•	•	•	•	•	•												
	CABLE (PWM)	64980079	•	•	•	•	•	•	•	•												
	CABLE (SPARK GENERATOR)	64980080	•	•	•	•	•	•	•	•												
	DISPLAY WIRING	64980077	•	•	•	•	•	•	•	•												
	GAS VALVE CABLE	64980109	•	•	•	•	•	•	•	•												
	WIRING (PUMP+JUN.BOX+MAIN BOARD)	64980085	•	•	•	•	•	•	•	•												
0881	CONNECTOR 2P	65111933	•	•	•	•	•	•	•	•												
0882	FUSE 5X20 RIT. 5 A 250V	65119782	•	•	•	•	•	•	•	•												
0885	JUNCTION BOX BASE	65118661	•	•	•	•	•	•	•	•												
0886	JUNCTION BOX COVER	65118662	•	•	•	•	•	•	•	•												
0888	P.C.B. (JUNCTION BOX)	65118660	•	•	•	•	•	•	•	•												
0889	P.C.B. (WIFI-REM4)	65120352-01	•	•	•	•	•	•	•	•												
0890	CABLE CLAMP	65103377	•	•	•	•	•	•	•	•												
0892	GROMMET 1 in	64980267	•	•	•	•	•	•	•	•												

FTVN (C)

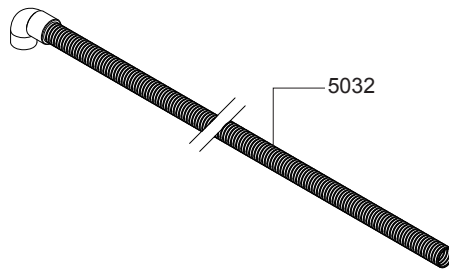
Gas-wall condensing boilers

5022



5031

Gas Vent Directly Below
Keep Free of Obstructions




④⇒	Description	Manf. Pt. N	Type	<div style="display: flex; justify-content: space-between; align-items: center;"> <div style="font-size: small; transform: rotate(-45deg);"> FTVN085 FTVN110 FTVN110C FTVN150 FTVN150C FTVN199 FTVN199C </div> <div style="border: 1px solid black; padding: 2px; font-weight: bold;">31</div> </div>																		From	to
				1	2	3	4	5	6	7	8	9	10	11	12	13	14	15	16	17	18		
5000	JIG PLATE & PIPE FITTING																						
5001	LP CONVERSION KIT 085-110-110C FT	64980099		●	●	●																	
	LP CONVERSION KIT 150-150C FT	64980101					●	●															
	LP CONVERSION KIT 199-199C FT	64980103							●	●													
5002	OUTDOOR SENSOR	64980218		●	●	●	●	●	●	●													
5003	PRESSURE RELIEF VALVE	65118683		●	●	●	●	●	●	●													
5005	CPVC PIPE 3 in, SYSTEM 636, 5 in LONG	64980094		●	●	●	●	●	●	●													
5010	PRESSURE/TEMPERATURE GAUGE	65118685		●	●	●	●	●	●	●													
5022	FT085-110(C) INSTALLATION KIT	64980088		●	●	●																	
	FT150(C) INSTALLATION KIT BOX	64980089					●	●															
	FT199(C) INSTALLATION KIT BOX	64980090								●	●												
5023	ROUND MESH, VENT SCREEN (2.25 in)	64980211		●	●	●	●	●															
5025	ROUND MESH, VENT SCREEN (3.375 in)	64980212		●	●	●	●	●	●	●													
5026	BRACKET (WALL MOUNT-BOTTOM)	64980093		●	●	●	●	●	●	●													
5027	WALL HOOK	64980096		●	●	●	●	●	●	●													
5028	WALL MOUNT HARDWARE LEG BOLT	64980213		●	●	●	●	●	●	●													
5029	WALL MOUNT HARDWARE PLASTIC PLUG	64980214		●	●	●	●	●	●	●													
5030	WALL MOUNT HARDWARE WASHER	64980215		●	●	●	●	●	●	●													
5031	GAS VENT DIRECTLY BELOW DECAL	64980098		●	●	●	●	●	●	●													
5032	PLASTIC PIPE CONDENSATE DRAIN	65117092		●	●	●	●	●	●	●													

		EN	DE	NL	
		FR	ES	IT	
0101	64980172	IGNITION ELECTRODE ELECTRODE ALLUMAGE	ZUNDELEKTRODE ELECTRODO DE ENCENDIDO	ELECTRODE ONTSTEKING ELETTRODO D'ACCENSIONE	1
0105	64980174	NTC SENSOR 4X45 1/4 10K3 SS CAPTEUR NTC 4X45 1/4 10K3 SS	NTC SENSOR 4X45 1/4 10K3 SS NTC SENSOR 4X45 1/4 10K3 SS	NTC SENSOR 4X45 1/4 10K3 SS SENSORE NTC 4X45 1/4 10K3 SS	0
0110	64980168	INSULATION (BURNER DOOR-VC30) PANNEAU ISOLEMENT VC30	ISOLIERUNGSPANEEL VC30 PANEL AISLANTE VC30	Panneau isolement VC30 PANNELLO ISOLANTE VC30	1
	64980169	INSULATION (BURNER DOOR-VC45) PANNEAU ISOLEMENT VC45	ISOLIERUNGSPANEEL VC45 PANEL AISLANTE VC45	Panneau isolement VC45 PANNELLO ISOLANTE VC45	1
	64980170	INSULATION (BURNER DOOR-VC60) PANNEAU ISOLEMENT VC60	ISOLIERUNGSPANEEL VC60 PANEL AISLANTE VC60	Panneau isolement VC60 PANNELLO ISOLANTE VC60	1
0111	64980160	HEAT EXCHANGER VC30 AIC ECHANGEUR VC30 AIC	AUSTAUSCHER VC30 AIC INTERCAMBIADOR VC30 AIC	WARMTEWISSELAAR VC30 AIC SCAMBIATORE VC30 AIC	1
	64980161	HEAT EXCHANGER VC45 AIC ECHANGEUR VC45 AIC	AUSTAUSCHER VC45 AIC INTERCAMBIADOR VC45 AIC	WARMTEWISSELAAR VC45 AIC SCAMBIATORE VC45 AIC	1
	64980162	HEAT EXCHANGER VC60 AIC ECHANGEUR VC60, AIC	AUSTAUSCHER VC60 AIC INTERCAMBIADOR VC60 AIC	WARMTEWISSELAAR VC60, AIC SCAMBIATORE VC60 AIC	1
0114	64980158	BURNER VC30 BRULEUR VC30	BRENNER VC30 QUEMADOR VC30	BRANDER VC30 BRUCIATORE VC30	1
	64980159	BURNER VC45/VC60 BRULEUR VC45/VC60	BRENNER VC45/VC60 QUEMADOR VC45/VC60	BRANDER VC45/VC60 BRUCIATORE VC45/VC60	1
0116	64980163	BURNER TOP PLATE VC30 PLAQUE SUPÉR.DU BRÛLEUR VC30	BRANDER BOVENPLAAT VC30 PLACA SUPERIOR QUEMADOR VC30	BRANDER BOVENPLAAT VC30 PIASTRA BRUCIATORE VC30	1
	64980164	BURNER TOP PLATE VC45 PLAQUE SUPÉR.DU BRÛLEUR VC45	BRANDER BOVENPLAAT VC45 PLACA SUPERIOR QUEMADOR VC45	BRANDER BOVENPLAAT VC45 PIASTRA BRUCIATORE VC45	1
	64980165	BURNER TOP PLATE VC60 PLAQUE SUPÉR.DU BRÛLEUR VC60	BRENNER OBERE PLATTE VC60 PLACA SUPERIOR QUEMADOR VC60	BRANDER BOVENPLAAT VC60 PIASTRA BRUCIATORE VC60	1
0117	64980219	CONDENSATE TRAP SIPHON	SIPHON SIFON ANTICONDENSACION	SIFON SIFONE SCARICO CONDENSA	1
0124	990686-01	TEMPERATURE PROBE + CLIP SONDE NTC + CLIPS KIT	NTC-SONDE MIT CLIPS KIT SONDA NTC + CLIPS KIT	VOELER NTC + KLEM KIT SONDA NTC + CLIPS KIT	1
0151	64980178	PIPE (CONDENSATE DRAIN) TUYAU (VIDANGE DE CONDENSAT)	ROHR (KONDENSATABLAUF) TUBO (DRENAGE DE CONDENSADO)	PIJP (CONDENSAATAFVOER) TUBO SCARICO CONDENSA	1
0152	64980263	COUPLING Y HOSE CONNECTOR COUPLAGE ET CONNECT.DE TUYAU	KUPPLUNG DES SCHLAUCHANSCHLUSS. CONECTOR DE ACOPLAM.Y MANGUERA	KOPPELING VAN DE SLANGCONNECTOR CONNETTORE TUBI Y	1
0163	64980243	HOSE CLAMP B-1952 (1-1/2 in x 0.162 in) COLLIER DE TUYAU B-1952	SCHLAUCHKLEMME B-1952 ABRAZADERA DE MANGUERA	SLANGKLEM B-1952 (1-1/2 in x 0.162 in) CLAMP TUBO B-1952 (1-1/2 in x 0.162 in)	0
0168	60000533	HOSE CLAMP COLLIER SUR DURIT	SHELLE AUF HARTGUMMIRING ABRAZADERA DURITE	KLEM MET RUBBER COLLARE SU FLESSIBILE	1
0169	64980242	NUT, SERRATED FLANGE M3 ECROU, BRIDE SERREE M3	MUTTER, SERRIERTER FLANSCH M3 TUERCA, BRIDA SERRADA M3	MOER, GESLAGEN FLENS M3 DADO FLANGIATO M3	0
0170	64980246	NUT, SERRATED FLANGE M6 ECROU, BRIDE SERREE M6	MUTTER, SERRIERTER FLANSCH M6 TUERCA, BRIDA SERRADA M6	MOER, GESLAGEN FLENS M6 DADO FLANGIATO M6	0
0171	64980166	GASKET (BURNER-VC30) JOINT BRULEUR VC30	DICHTUNG (BRENNER VC30) JUNTA QUEMADOR VC30	DICHTING (BRANDER VC30) GUARNIZIONE BRUCIATORE VC30	1
	64980167	GASKET (BURNER-VC45/VC60) JOINT BRULEUR VC45/VC60	FORMDICHTUNG (BRENNER VC45/VC60) JUNTA QUEMADOR VC45/VC60	DICHTING (BRANDER VC45/VC60) GUARNIZIONE BRUCIAT.VC45/VC60	1
0172	60000286-01	GASKET (IGNITION ELECTRODE) JOINT ELECTRODE	DICHTUNG ELEKTRODEN JUNTA ELECTRODO	DICHTING ELECTRODE GUARNIZIONE ELETTRODI	1
0177	64980150	AIR VENT PURGEUR D'AIR	LUFTABLASSVENTIL PURGADOR DE AIRE	ONTLUCHTINGSKLEP VALVOLA SFIATO ARIA	1
0178	64980157	GASKET (PUMP) JOINT POMPE	DICHTUNG PUMPE JUNTA BOMBA	AFDICHTING POMP GUARNIZIONE POMPA	1
0180	65119323	SPARK GENERATOR TRANSFORMATEUR D'ALLUMAGE	ZUNDTRAFU ENCENDEDOR	ONTSTEKINGSTRANSFORMATOR ACCENDITORE	1
0182	64980244	CONNECTOR TUBING 3/8 in x 1/4 in TUBE DE CONNECTEUR 3/8 in x 1/4 in	ANSCHLUSSROHR 3/8 in x 1/4 in CONECTOR TUBERIA 3/8 in x 1/4 in	CONNECTORBUIS 3/8 in x 1/4 in CONNETTORE TUBI 3/8 in x 1/4 in	0
0183	64980173	FLUE PIPE (POLYPROPYLENE) TUBE EN PLASTIQUE	ABGASROHR TUBO DE HUMOS CENTROTERM	FLUE PIPE (POLYPROPYLENE) TUBO SCARICO FUMI (POLIPROPIL.)	1
0185	64980222	SIGHT GLASS (COMPLETE) SIGHT GLASS (COMPLETE)	SIGHT GLASS (COMPLETE) SIGHT GLASS (COMPLETE)	SIGHT GLASS (COMPLETE) VETRO SPIA (COMPLETO)	1
0186	64980171	CABLE (IGNITION ELECTRODE) CÂBLE D'ÉLECTRODE D'ALLUMAGE	ZÜNDUNGSELEKTRODENKABEL CABLE DE ELECTRODO DE ENCEND.	ONTSTEKINGSELECTRODE KABEL CAVO ELETTRODO ACCENSIONE	1
0187	65118678	AIR PRESSURE SWITCH PRESSOSTAT AIR	LUFTWACHTER PRESOSTATO AIRE	DRUKSCHAKELAAR LUCHT PRESSOSTATO ARIA	1
0188	64980241	NUT, SERRATED FLANGE M5-08 ECROU, BRIDE SERREE M5-08	MUTTER, SERRIERTER FLANSCH M5-08 TUERCA, BRIDA SERRADA M5-08	MOER, GESLAGEN FLENS M5-08 DADO FLANGIATO M5-08	0
0191	64980154	PIPE (MANIFOLD) TUYAU (COLLECTEUR)	ROHR (VERTEILER) TUBO (COLECTOR)	PIJP (SPRUITSTUK) TUBO COLLETTORE	1
0201	65118645	GAS VALVE VALVE GAZ	GASVENTIL VALVULA GAS	GASBLOK VALVOLA GAS	1
0202	64980119	FAN VENTILATEUR	LAUFRAD HELICE VENTILADOR	VENTILATOR VENTILATORE	1

	☰	EN FR	DE ES	NL IT	X
		FAN KIT (BLOWER,GASKET ETC) VENTILATEUR	LAUFRAD HELICE VENTILADOR	VENTILATOR VENTILATORE	1
0210	64980120	GAS DIAPHRAGM D: 6.40 DIAPHRAGME GAZ D: 6.40	PLATTENVENTIL GAS D: 6.40 DIAFRAGMA GAS D: 6.40	DIAFRAGMA GAS D: 6.40 DIAFRAMMA GAS D: 6.40	1
	60001923	GAS DIAPHRAGM D: 6.90 DIAPHRAGME GAZ D: 6.90	PLATTENVENTIL GAS D: 6.90 DIAFRAGMA GAS D: 6.90	DIAFRAGMA GAS D: 6.90 DIAFRAMMA GAS D: 6.90	1
	60001924	GAS DIAPHRAGM D: 8,5 DIAPHRAGME GAZ D: 8,5	PLATTENVENTIL GAS D: 8,5 DIAFRAGMA GAS D: 8,5	DIAFRAGMA GAS D: 8,5 DIAFRAMMA GAS D: 8,5	1
0211	65118713	MIXER 085-110-110C LP FT MIXER 085-110-110C LP FT	MIXER 085-110-110C LP FT MIXER 085-110-110C LP FT	MIXER 085-110-110C LP FT MIXER 085-110-110C GLP FT	1
	64980100	MIXER 150-150C LP FT MIXER 150-150C LP FT	MIXER 150-150C LP FT MIXER 150-150C LP FT	MIXER 150-150C LP FT MIXER 150-150C GLP FT	1
	64980102	MIXER 199-199C LP FT MIXER 199-199C LP FT	MIXER 199-199C LP FT MIXER 199-199C LP FT	MIXER 199-199C LP FT MIXER 199-199C GPL FT	1
	64980104	MIXER, 085-110-110C NG FT MIXER, 085-110-110C NG FT	MIXER, 085-110-110C NG FT MIXER, 085-110-110C NG FT	MIXER, 085-110-110C NG FT MIXER, 085-110-110C NG FT	1
	64980124	MIXER, 150-150C NG FT MIXER, 150-150C NG FT	MIXER, 150-150C NG FT MIXER, 150-150C NG FT	MIXER, 150-150C NG FT MIXER, 150-150C NG FT	1
	64980125	MIXER, 199-199C NG FT MIXER, 199-199C NG FT	MIXER, 199-199C NG FT MIXER, 199-199C NG FT	MIXER, 199-199C NG FT MIXER, 199-199C NG FT	1
0213	64980126	SILENCER SILENCIEUX	SCHALLDAMPFE SILENCIADOR	SILENCER SILENZIATORE	1
0214	64980127	PIPE (GAS VALVE-MIXER) aluminum TUYAU (VANNE DE GAZ-VENTURI) alum.	ROHR (GASVENTIL-VENTURI) aluminium TUBO (VÁLV.DE GAS-MIXER) aluminio	PIJP (GASKLEP-VENTURI) aluminum TUBO GAS VALV.GAS-MIXER alluminio	1
	64980145	PIPE (GAS VALVE-MIXER) aluminum TUYAU (VANNE DE GAZ-VENTURI) alum.	ROHR (GASVENTIL-VENTURI) Aluminium TUBO (VÁLV.DE GAS-MIXER) aluminio	PIJP (GASKLEP-VENTURI) aluminum TUBO GAS VALV.GAS-MIXER alluminio	1
	64980146	PIPE (GAS VALVE-MIXER) aluminum TUYAU (VANNE DE GAZ-VENTURI) alum.	ROHR (GASVENTIL-VENTURI) aluminium TUBO (VÁLV.DE GAS-MIXER) aluminio	PIJP (GASKLEP-VENTURI) aluminum TUBO GAS VALV.GAS-MIXER alluminio	1
	64980439	PIPE (GAS VALVE-MIXER) stainless TUYAU (VANNE DE GAZ-VENTURI) acier in.	ROHR (GASVENTIL-VENTURI) Edelstahl TUBO (VÁLV.GAS-MIXER) acero inox.	PIJP (GASKLEP-VENTURI) roestvrije staal TUBO GAS VALV.GAS-MIXER acciaio	1
	64980440	PIPE (GAS VALVE-MIXER) stainless TUYAU (VANNE DE GAZ-VENTURI) acier in.	ROHR (GASVENTIL-VENTURI) Edelstahl TUBO (VÁLV.GAS-MIXER) acero inox.	PIJP (GASKLEP-VENTURI) roestvrije staal TUBO GAS VALV.GAS-MIXER acciaio	1
	64980441	PIPE (GAS VALVE-MIXER) stainless TUYAU (VANNE DE GAZ-VENTURI) acier in.	ROHR (GASVENTIL-VENTURI) Edelstahl TUBO (VÁLV.GAS-MIXER) acero inox.	PIJP (GASKLEP-VENTURI) roestvrije staal TUBO GAS VALV.GAS-MIXER acciaio	1
0225	64980176	CONNECTION M 3/4 NPT-M 3/4 G RACCORD M 3/4 NPT-M 3/4 G	ANSCHLUSS M 3/4 NPT-M 3/4 G CONEXIÓN M 3/4 NPT-M 3/4 G	AANSLUIT.M 3/4 NPT-M 3/4 G RACCORDO M 3/4 NPT-M 3/4 G	1
0227	64980217	GASKET (GAS ADAPTER) JOINT (ADAPTATEUR GAZ)	DICHTUNG (GASADAPTER) JUNTA (ADAPTADOR DE GAS)	DICHTING (GASADAPTER) GUARNIZIONE ADATTATORE GAS	0
0250	64980438	PIPE (GAS INLET) stainless TUYAU (ENTRÉE GAZ) acier inox.	ROHR (GASEINGANG) Edelstahl TUBO (ENTRADA DE GAS) acero inox.	PIJP (GASINLAAT) roestvrije staal TUBO INGRESSO GAS acciaio	1
	64980442	PIPE (GAS INLET) stainless TUYAU (ENTRÉE GAZ) acier inox.	ROHR (GASEINGANG) Edelstahl TUBO (ENTRADA DE GAS) acero inox.	PIJP (GASINLAAT) roestvrije staal TUBO INGRESSO GAS acciaio	1
0271	64980239	FAN GASKET JOINT VENTILATEUR	DICHTUNG, GEBLASE JUNTA VENTILADOR	DICHTING VENTILATOR GUARNIZIONE VENTILATORE	0
	64980240	FAN GASKET JOINT VENTILATEUR	DICHTUNG, GEBLASE JUNTA VENTILADOR	DICHTING VENTILATOR GUARNIZIONE VENTILATORE	0
0272	60001878	O-RING 165 NBR 70 Sh 61.91x3,53 JOINT TORIQUE 165 NBR 70 Sh 61.9	O-RING 165 NBR 70 Sh 61.91x3,53 O-RING 165 NBR 70 Sh 61.91x3,53	O-RING 165 NBR 70 Sh 61.91x3,53 O-RING 165 NBR 70 Sh 61.91x3,53	1
0282	64980284	GASKET 3/4 in th. 3 NBR TEFLON-YELLOW JOINT EAU-GAZ 3/4 in ép.3 NBR	DICHTUNG 3/4 in Dicke 3 NBR TEFLON GELB JUNTA 3/4 in esp. 3 NBR	AFDICHTING 3/4 in dikte 3 NBR GUARNIZIONE 3/4 in NBR sp.3 TEFLON GIAL.	1
0312	64980209	FLUE TEST PORT PLUG BOUCHON DE PRISE FUMEE	STOPFEN ABGAS-U. ZULUFTMESS.KUNST. TAPON TOMA HUMOS	STOP ROOKGASMEETNIPPELS TAPPO ANALISI FUMI + O-RING	1
0315	64980230	PANEL (LEFT-SIDE-GRAY-LARGE) PANNEAU (côté gauche gris-grand)	PANEL (links seitengrau-gross) PANEL (lado izquierdo-gris-grande)	PANEEL (links zij-grijs-groot) PANNELLO LATER.SX GRIGIO (GRANDE)	0
	64980231	PANEL (left-side-gray-small) PANNEAU (côté - gris - petit gauche)	PANEL (links seitengrau-klein) PANEL (izquierdo-lado-gris-pequeño)	PANEEL (links zij-grijs-klein) PANNELLO LATER.SX GRIGIO (piccolo)	0
0317	64980232	FRONT PANEL+TOP+BOTTOM (grey) PANNEAU AVANT+HAUT+BAS (gris)	VORDERE VERKLEID.+OBEN+UNTEN (grau) PANEL FRONT.+SUPER.+INFER.(gris)	VOORPANEEL+BOVEN+ONDER (grijs) PANNEL.FRONT.+TOP+FONDO GRIGI	0
0318	64980270	PANEL (right-side-gray-large) PANNEAU (côté droit-gris-petit)	PANEL (rechte seitengrau-klein) PANEL (lado derecho-gris-pequeño)	PANEEL (rechterkant-grijs-klein) PANNELLO LATER.DX GRIGIO(grande)	0
	64980271	PANEL (right-side-gray-small) PANNEAU (côté droit-gris-petit)	PANEL (rechts-grau-klein) PANEL LADO DCHO GRIS (pequeño)	PANEEL (rechterkant-grijs-klein) PANNELLO LATER.DX GRIGIO (piccolo)	0
0340	64980206	ADAPTOR (AIR INLET) ADAPTATEUR D'ENTRÉE D'AIR	ADAPTER, LUFT EINGANG ADAPTADOR DE ENTRADA DE AIRE	LUCHTINLAAT ADAPTER ADATTATORE INGRESSO ARIA	1
0341	64980237	SEAL GASKET OUTLET 80 JOINT DE SORTIE 80	DICHTUNGS AUSGANG 80 JUNTA DE SALIDA 80	PAKKING UITLAAT 80 GUARNIZIONE D80 USCITA FUMI	1
0342	64980207	GASKET D90 EPDM SH.A PEROX JOINT D90 EPDM SH.A PEROX	DICHTUNG D90 EPDM SH.A PEROX JUNTA D90 EPDM SH.A PEROX	DICHTING D90 EPDM SH.A PEROX GUARNIZIONE D90 EPDM SH.A PEROX	1
0343	64980208	FOAM FLUE GAS ADAPTOR MOUSSE ADAPTAT.DE GAZ DE FUMÉE	DICHTUNG ABGASBOGEN ESPUMA DE ADAPT.GASES DE GOMA	SCHUIMKANAALADAPTER GUARNIZIONE COLLETTORE FUMI	1
0344	64980233	TRAY CONDENS PLATEAU CONDENS	TABLETT KONDENSAT BANDEJA CONDENS	LADE CONDENS VASSOIO CONDENSA	1

		EN	DE	NL	
		FR	ES	IT	
0345	64980210	ADAPTOR (FLUE OUTLET) ADAPTATEUR, SORTIE DE FUMÉE	ADAPTER, RAUCH AUSGANG ADAPTADOR, SALIDA DE HUMO	ADAPTER, ROOKUITGANG ADATTATORE USCITA FUMI	1
0346	64980236	O-RING 2,7X8,9 EPDM PEROX 70 Sh. J-TORIQUE 2,7X8,9 EPDM PEROX 70 Sh.	DICHRING 2,7X8,9 EPDM PEROX 70 Sh. J-TORICA 2,7X8,9 EPDM PEROX 70 Sh.	DICHRING 2,7X8,9 EPDM PEROX 70 Sh. O-RING 2,7X8,9 EPDM PEROX 70 Sh.	1
0347	64980238	DOOR LATCH FERMETURE DU PANNEAU	PANELSCHLIESSUNG CIERRE DEL PANEL	PANEEL SLUITING CHIUSURA MANTELLO	0
0349	64980264	FACIA PLASTRON	EINSATZ PLASTRON	PLAAT PIASTRA	1
0501	64980182	GROUP (3 WAY VALVE-SYSTEM) GROUPE VALVE 3 VOIES-SYSTEM	GRUPPE (3-WEGE-VENTIL-SYSTEM) GRUPO VÁLVULA 3 VÍAS SYSTEM	GROEP (3 MANIEREN KLEP-SYSTEM) GRUPPO VALVOLA 3 VIE	1
	64980199	GROUP (3 WAY VALVE) GROUPE DE VANNES À 3 VOIES	GRUPPE (3-WEGE-VENTIL) GRUPO DE VÁLVULAS DE 3 VÍAS	GROEP (3-WEGS KLEP) GRUPPO VALVOLA 3 VIE	1
0507	64980203	SANITARY HEAT EXCHANGER (27 P.) ECHANGEUR SANITAIRE 27 PLAQUES	PLATTENWAERMETAUSCHER INTERCAMBIADOR SANITARIO 27	WARMTEWISSELAAR SANITAIR 27 PLATEN SCAMBIATORE SANITARIO 27 PIASTRE	1
0508	65104338-01	NTC PROBE SONDE NTC	FUHLER SONDA NTC	VOELER NTC SONDA NTC	1
0510	64980198	MOTOR + CARTRIDGE 3 WAY VALVE KIT KIT MOTEUR+CLAPET VANNE 3 VOIES	MOTOR MIT VERSCHLUSS VENTIL 3-W KIT MOTOR+GRUPO 3 VÍAS DE VALV	MOTOR + KLEP - 3 WEGKLEP KIT MOTORE+OTTURAT VALV 3 VIE	1
0511	65104339	CLIP D:12 CLIP D:12	SICHERHEITSSPLINT D20 CLIP D:12	KLEM D:12 CLIP D:12	1
0551	64980156	PIPE (C.H. OUTLET) TUBE DEPART CHAUFFAGE	VORLAUFROHR TUBO ENVÍO	BUIS VERTREK VERWARMING TUBO MANDATA	1
0555	64980186	CLIP (BY-PASS PIPE-SYSTEM) CLIP (TUYAU BY-PASS)	CLIP (BY-PASS-ROHR) CLIP TUBO BY-PASS	CLIP (BY-PASS BUIS) CLIP TUBO BY-PASS	1
0556	64980202	O-RING 13.95 X 2.62 JOINT TORIQUE D: 13.95 X 2.62	NDICHRING D: 13.95 X 2.62 JUNTA TORICA D: 13.95 X 2.62	DICHTINGSRING D: 13.95 X 2.62 ANELLO OR 13.95 X 2.62	1
0558	64980187	BY-PASS PIPE TUBE BY-PASS	BYPASS-ROHR TUBO BY-PASS	BUIS BY-PASS TUBO BY-PASS	1
	64980197	BY-PASS PIPE TUBE BY-PASS	BYPASS-ROHR TUBO BY-PASS	BUIS BY-PASS TUBO BY-PASS	1
0562	64980157	GASKET (PUMP) JOINT POMPE	DICHTUNG PUMPE JUNTA BOMBA	AFDICHTING POMP GUARNIZIONE POMPA	1
0568	65114928	EXCHANGER GASKET JOINT ECHANGEUR	DICHTUNG WARMETAUSCHER JUNTA INTERCAMBIADOR	DICHTING WISSELAAR GUARNIZIONE SCAMBIATORE	5
0570	64980188	CONNECTION M 3/4 NPT - M 3/4 G RACCORD M 3/4 NPT - M 3/4 G	ANSCHLUSS M 3/4 NPT - M 3/4 G. CONEXIÓN M 3/4 NPT - M 3/4 G	AANSLUITING M 3/4 NPT - M 3/4 G RACCORDO M 3/4 NPT - M 3/4 G	1
0585	64980192	GASKET EPDM 5/8 in ID X 0.94 in OD JOINT EPDM 5/8 in ID X 0.94 in OD	DICHTUNG EPDM 5/8 in ID X 0.94 in OD JUNTA EPDM 5/8 in ID X 0.94 in OD	DICHTING EPDM 5/8 in ID X 0.94 in OD GUARNIZIONE EPDM 5/8 in ID X 0.94 in OD	1
0591	64980250	GASKET (HYDROBLOCK) JOINT HYDROBLOC	DICHTUNG (HYDROBLOCK) JUNTA (HIDROBLOQUE)	DICHTING (HYDROBLOCK) GUARNIZIONE GRUPPO IDRAULICO	0
0592	64980189	PIPE (CH OUTLET) TUBE DEPART CHAUFFAGE	VORLAUFROHR TUBO ENVÍO	BUIS VERTREK VERWARMING TUBO MANDATA	1
0593	64980194	GROUP (DHW OUTLET) HAUSWASSERAUSGANGSGRUPPE	HAUSWASSERAUSGANGSGRUPPE GRUPO SALIDA DE AGUA CAL.SANIT.	GROEP (SHW OUTLET) GRUPPO USCITA ACQUA SANITARIA	1
0601	64980183	GROUP (PUMP) GROUPE POMPE	PUMPENGRUPPE GRUPO DE BOMBA	GROEP (POMP) GRUPPO POMPA	1
	64980221	GROUP (PUMP-COMBI) GROUPE POMPE	PUMPENGRUPPE GRUPO DE BOMBA	GROEP (POMP) GRUPPO POMPA	1
0602	65118663	LOW PRESSURE SWITCH DETECTEUR DE PRESSION	DRUCKWAECHTER PRESSOSTATO DE MÍNIMA	DRUKSCHAKELAAR MINIMUM PRESSOSTATO DI MINIMA	1
0604	64980191	PUMP ES2 3VK 63-7C-C US POMPE ES2 3VK 63-7C-C US	PUMPE ES2 3VK 63-7C-C US BOMBA ES2 3VK 63-7C-C US	POMP ES2 3VK 63-7C-C US POMPA ES2 3VK 63-7C-C US	1
0607	64980195	FLOW METER CARTOUCHE DEBIMETRE KIT	UMSCHALTER HEIZUNG / SANITAR KIT OBTURADOR CALEFAC./SANIT.	DEBIETMETER FLOW SWITCH SANITAIR FLUSSOSTATO SANITARIO	1
0611	64980196	DHW FLOW RESTRICTORS (KIT) LIMITEURS DE DEBIT (KIT)	TUELLESET REDUCTOR (KIT)	DEBIETBEGRENZER (KIT) IMITATORI DI PORTATA (KIT)	1
0616	64980266	DHW FILTER FILTRE À EAU	WASSERFILTER FILTRO DE AGUA	WATER FILTER FILTRO ACQUA	1
0618	64980220	GROUP (COLD WATER INLET) GROUPE D'ENTRÉE D'EAU FROIDE	GRUPPE (KALTWASSER EINLASS) GRUPO DE ENTRADA DE AGUA FRÍA	INLAATGROEP KOUD WATER GRUPPO ENTRATA ACQUA FREDDA	1
0622	64980204	BY-PASS BY-PASS	BY-PASS BY-PASS	BY-PASS BY-PASS	1
0651	64980155	PIPE (C.H. RETURN) TUBE RETOUR CHAUFFAGE	RUCKLAUFROHR TUBO RETORNO INSTALACION	BUIS RETOUR VERWARMING TUBO RITORNO	1
0664	65104322	CLIP CLIP	KLAMMER PUMPE CLIP	KLEM CLIP	1
0670	990686-01	TEMPERATURE PROBE + CLIP SONDE NTC + CLIPS KIT	NTC-SONDE MIT CLIPS KIT SONDA NTC + CLIPS KIT	VOELER NTC + KLEM KIT SONDA NTC + CLIPS KIT	1
0672	64980200	CLIP (FLOW METER) CLIP INTERRUPTEUR DE DÉBIT	CLIP (DURCHFLOSSSCHALTER) CLIP INTERRUPTOR DE FLUJO	CLIP (STROOMSCHAKELAAR) CLIP FLUSSIMETRO	1
0682	64980157	GASKET (PUMP) JOINT POMPE	DICHTUNG PUMPE JUNTA BOMBA	AFDICHTING POMP GUARNIZIONE POMPA	1

		EN	DE	NL	X
		FR	ES	IT	
0695	64980201	GASKET 3/4 in 24x15x2 JOINT 3/4 in 24x15x2	DICHTUNG 3/4 in 24x15x2 KIT - JUNTA 3/4 in 24x15x2	AFDICHTING 3/4 in 24x15x2 GUARNIZIONE 3/4 in 24x15x2	1
0696	64980250	GASKET (HYDROBLOCK) JOINT HYDROBLOC	DICHTUNG (HYDROBLOCK) JUNTA (HIDROBLOQUE)	DICHTING (HYDROBLOCK) GUARNIZIONE GRUPPO IDRAULICO	0
0697	65114928	EXCHANGER GASKET JOINT ECHANGEUR	DICHTUNG WARMETAUSCHER JUNTA INTERCAMBIADOR	DICHTING WISSELAAR GUARNIZIONE SCAMBIATORE	5
0698	64980202	O-RING 13.95 X 2.62 JOINT TORIQUE D: 13.95 X 2.62	NDDICHTRING D: 13.95 X 2.62 JUNTA TORICA D: 13.95 X 2.62	DICHTINGSRING D: 13.95 X 2.62 ANELLO OR 13.95 X 2.62	1
0801	998382	GROMMET (PCD TOOL ACCESS) JOINT ENTREE REGULATION	GUMMIABDECKUNG POTENTIOMETER JUNTA	DICHTING GOMMINO ACCESSO REGOLAZIONE	5
0804	65112054	WASHER RONDELLE	SCHEIBE ARANDELA	RONDEL RONDELLA	1
0814	64980075	CONTROL PANEL BASE PORTE INSTRUMENTS	INSTRUMENTENHALTER FRONTAL	BEHUIZING BEDIENINGSPANEEL PORTASTRUMENTI	1
0815	64980224	P.C.B. (MAIN) CIRCUIT IMPRIME PRINCIPAL	ELEKTROHAUPTPLATINE CIRCUITO PRINCIPAL	PRINTKAART SCHEDA PRINCIPALE	1
0816	64980225-01	P.C.B. (DISPLAY) CIRCUIT IMPRIME D'AFFICHAGE	DISPLAYPLATINE CIRCUITO DISPLAY	PRINT DISPLAY SCHEDA DISPLAY	1
0819	65121202	WIRING (WI-FI BOARD) CABLAGE (CIRCUIT WIFI)	WIRING (WI-FI BOARD) WIRING (FLAT- 4 WIRES) WIFI EVO2	ELEKTRISCHE BEDRADING (PRINT WIFI) CAVO A NASTRO 4 FILI WIFI EVO2	1
0824	64980402	CONTROL PANEL COVER COUVERCLE ARRIERE TABL.COMM.	RUCKWARTIGER DECKEL, FRONTBLLENDE TAPA POSTER.PANEL DE MANDOS	HOUDER STUURPRINT COPERCHIO BOX	1
0842	64980234	CONTROL PANEL HINGE (R.H.Side) SUPPORT (droit)	TRAGER SOPORTE	SUPPORT SUPPORTO DX	1
0843	64980235	CONTROL PANEL HINGE (L.H.Side) SUPPORT (gauche)	TRAGER SOPORTE	SUPPORT SUPPORTO SX	1
0851	65119087	CONTROL PANEL TABLEAU DE COMMANDE	FRONTBLLENDE FRONTAL	BEDIENINGSPANEEL FRONTALINO	1
0880	64980077	DISPLAY WIRING CABLAGE AFFICHEUR	DISPLAY VERBINDUNGSKABEL CABLEADO DISPLAY	DISPLAY WIRING CABLAGGIO DISPLAY	1
	64980078	3-WAY VALVE CABLE CABLAGE VANNE 3 VOIES	KABEL 3-WEGEVENTIL CABLEADO VALVULA DE TRES VIAS	BEDRADING DRIEWEG KLEP CABLAGGIO VALVOLA A 3 VIE	1
	64980079	CABLE (PWM) CABLAGE PWM	VERBINDUNG PWM CABLEADO PWM	Cablage PWM CABLAGGIO PWM	1
	64980080	CABLE (SPARK GENERATOR) CABLE (GÉNÉRATEUR D'ÉTINCELLES)	KABEL (ZUNDTrafo) CABLE (GENERADOR DE CHISPA)	KABEL (VONKENGULATOR) CABLAGGIO ACCENDITORE	1
	64980085	WIRING (PUMP+JUN.BOX+MAIN BOARD) CABLE POMPE+JUN.BOX+CARTE EL.	KABEL POMPE+JUN.BOX+ELEKTR.PL. CABLE BOMBA+JUN.BOX+TARJETA EL.	BEDRADING POMP+JUN.BOX+EL.KARTE CAVO POMPA+JUN.BOX+SCHEDA PR.	1
	64980097	CABLE (DETECTION ELECTRODE) CABLAGE ELECTRODE IONISATION	IONISATIONSKABEL CABLE ELECTRODO DE DETECCION	CABLE (DETECTION ELECTRODE) CAVO ELETTRODO RILEVAZIONE	1
	64980109	GAS VALVE CABLE CABLAGE VANNE GAZ	KABEL ZUNDER CABLEADO VALVULA GAS	BEDRADING GASBLOK CABLAGGIO VALVOLA GAS	1
	64980110	CABLE (FAN-POWER SUPPLY) CABLE (ALIMENTATION DE VENTILAT.)	KABEL (VENTILATOR-STROMVERSORG.) CABLE DE ALIMENTAC.DE VENTILAD.	KABEL (FAN-VOEDING) CAVO ALIMENTAZIONE VENTILATORE	1
	64980111	CABLE (FUME PROBE) CABLE DE SONDÉ D'ÉCHAPPEMENT	ABGAS SONDE VERLÄNGERUNGSKABEL CABLE DE SONDÉ DE HUMO	VERLENGINGSKABEL ROOK SONDE CAVO SONDÉ FUMI	1
	64980248	CABLE (BOILER POWER SUPPLY) CABLE (ALIMENTAT.DE LA CHAUD.)	KABEL (KESSEL-STROMVERSORGUNG) CABLE DE ALIMENT.DE LA CALDERA	KABEL (STROOMVOORZIENING) CAVO ALIMENTAZIONE CALDAIA	1
	64980249	BLOWER POWER PIGTAIL (nrg118 to nrg128) ADAPTAT.CABLE DE VENT.(118->128)	KABEL (VENTILAT.-STROMVERSORGUNG) CABLE DE ALIMENT.DE VENTILADOR	VENTILATORKABELADAPT.(NRG118->NRG128) CAVO ADATTATORE VENTILATORE	1
	65118657	3-WAY VALVE CABLE CABLAGE VANNE 3 VOIES	KABEL 3-WEGEVENTIL CABLEADO VALVULA DE TRES VIAS	BEDRADING DRIEWEG KLEP CABLAGGIO VALVOLA A 3 VIE	1
	65118695	CABLE (PUMP 5M PWM TACO) CABLE POMPE 5M PWM TACO	VERKABELUNG PUMPE 5M PWM TACO CABLEADO BOMBA 5M PWM TACO	BEDRADING POMP 5M PWM TACO CAVO POMPA 5M PWM TACO	1
0881	65111933	CONNECTOR 2P CONNECTEUR 2 POLES	STECKER 2 POL. RAST 5 CONNECTOR 2P	STEKKER 2-POLIG CONNETTORE 2 POLI	5
0882	65119782	FUSE 5X20 RIT. 5 A 250V FUSIBLE 5X20 RIT. 5 A 250V	SICHERUNG 5X20 RIT. 5 A 250V FUSIBLE 5X20 RIT. 5 A 250V	ZEKERING 5X20 RIT. 5 A 250V FUSIBILE 5X20 RIT. 5 A 250V	1
0885	65118661	JUNCTION BOX BASE COUVERCLE FIXE (boite de jonction)	FESTE ABDECKUNG (junktionskasten) CUBIERTA FIJA (CAJA DE JUNTOS)	VASTE COVER (VERBINDINGSBOX) FONDO JUNCTION BOX	1
0886	65118662	JUNCTION BOX COVER COUVERCLE (BOITE DE JUNCTION)	ABDECKUNG (JUNKTIONSKASTEN) CUBIERTA (CAJA DE JUNTOS)	DEKING (JUNCTION BOX) COPERCHIO JUNCTION BOX	1
0888	65118660	P.C.B. (JUNCTION BOX) CIRCUIT CLIP-IN LOADS NA	LEITERPLATTE CLIP-IN LOADS NA CIRCUITO ELECTR.CLIP-IN LOADS NA	PRINTKAART (CLIP IN LOADS NA) SCHEDA CLIP-IN LOADS NA	1
0889	65120352-01	P.C.B. (WIFI-REM4) CIRCUIT IMPRIME REM 4	ELEKTROPLATINE (REM4) CIRCUITO REM4	PRINTKAART REM4 SCHEDA REM4	1
0890	65103377	CABLE CLAMP PASSE CABLE PRESSOSTAT	KABELKLEMME SUJETA-CABLE	KABELDOORVOER DRUKSCHAKELAAR PRESSACAVO	1
0892	64980267	GROMMET 1 in OEUILLÉ 1 in	TÜLLE 1 in OJAL 1 in	DOORVOERTULE 1 in GOMMINO 1 in	0
5001	64980099	LP CONVERSION KIT 085-110-110C FT EQT TRANSF. 085-110-110C FT	F-GAS-UMSTELLSET G31 085-110-110C FT KIT TRANSFORM.G31 085-110-110C FT	OMBOUWSET G31 085-110-110C FT TRASFORM.G31 085-110-110C FT	1

		EN FR		DE ES		NL IT		
	64980101	LP CONVERSION KIT 150-150C FT EQT TRANSF. G31 150-150C FT	F-GAS-UMSTELLSET G31 150-150C FT KIT TRANSFORM.G31 150-150C FT	OMBOUWSET G31 150-150C FT TRASFORMAZIONE G31 150-150C FT	1			
	64980103	LP CONVERSION KIT 199-199C FT EQT TRANSF. G31 199-199C FT	F-GAS-UMSTELLSET G31 199-199C FT KIT TRANSFORM.G31 199-199C FT	OMBOUWSET G31 199-199C FT TRASFORMAZIONE G31 199-199C FT	1			
5002	64980218	OUTDOOR SENSOR SONDE EXTERIEURE FILAIRE	AUSSENFUEHLER SONDA EXTERNA CON CABLES	BUITENVOELER SONDA ESTERNA CON CAVI	1			
5003	65118683	PRESSURE RELIEF VALVE SOUPAPE DE SECURITE	SICHERHEITSENTIL VALVULA DE SEGURIDAD	VEILIGHEIDSGROEP VALVOLA DI SICUREZZA	1			
5005	64980094	CPVC PIPE 3 in, SYSTEM 636, 5 in LONG TUYAU CPVC 3 in, SYSTÈME 636, 5 in LONG	CPVC-ROHR 3 IN, SYSTEM 636, 5 IN LANG TUBO DE CPVC DE 3 in, SIST.636, 5 in LAR	CPVC-BUIS 3 in, SYSTEEM 636, 5 in LANG TRONCHETTO CPVC 3 in L=5 in	0			
5010	65118685	PRESSURE/TEMPERATURE GAUGE MANOMETRE / THERMOMETRE	THERMOHYDROMETER TERMOMANOMETRO	MANOMETER - THERMOMETER TERMOIDROMETRO	1			
5022	64980088	FT085-110(C) INSTALLATION KIT FT085-110(C) INSTALLATION KIT	FT085-110(C) INSTALLATION KIT FT085-110(C) INSTALLATION KIT	FT085-110(C) INSTALLATION KIT KIT INSTALLAZIONE FT085-110(C)	0			
	64980089	FT150(C) INSTALLATION KIT BOX FT150(C) INSTALLATION KIT BOX	FT150(C) INSTALLATION KIT BOX FT150(C) INSTALLATION KIT BOX	FT150(C) INSTALLATION KIT BOX KIT INSTALLAZIONE FT150(C)	0			
	64980090	FT199(C) INSTALLATION KIT BOX FT199(C) INSTALLATION KIT BOX	FT199(C) INSTALLATION KIT BOX FT199(C) INSTALLATION KIT BOX	FT199(C) INSTALLATION KIT BOX KIT INSTALLAZIONE FT199(C)	0			
5023	64980211	ROUND MESH.VENT SCREEN (2.25 in) MAILLE RONDE, ÉCRAN D'ÉVENT (2,25 in)	RUNDES MESH, ENTLÜFT.SBILDSCH.(2,25 in) MALLA REDON., PANTAL.DE VENT.(2,25 in)	RONDE MESH, VENT-SCHERM (2.25 in) PROTEZIONE SCARICO FUMI (2.25 in)	0			
5025	64980212	ROUND MESH, VENT SCREEN (3.375 in) MAILLE RONDE, ÉCRAN D'ÉVENT (3,375 in)	RUNDES MESH, ENTLÜFT.SBILDSCH.(3,375 in) MALLA RED., PANTAL.DE VENT.(3,375 in)	RONDE MESH, VENT-SCHERM (3.375 in) PROTEZIONE SCARICO FUMI (3,375 in)	0			
5026	64980093	BRACKET (WALL MOUNT-BOTTOM) SUPPORT MONTAGE MURAL INFÉR.	UNTERE WANDHALTERUNG SOPORTE MONTAJE EN PARED INFER.	ONDERSTE MUURBEUGEL STAFFA D'AGGANCIO INFERIORE	0			
5027	64980096	WALL HOOK PLATINE SUPPORT MURAL	WANDHALTERPLATTE PLACA SOPORTE MURAL	WANDBEVESTIGING STAFFA D'AGGANCIO SUPERIORE	0			
5028	64980213	WALL MOUNT HARDWARE LEG BOLT BOULON DE JAMBE DE MATÉR.MONT.MURAL	BEINSCHRAUBE FÜR WANDHALTERUNG PERNO DE PIERNA MONTAJE EN PARED	WANDMONTAGE HARDWARE BEENBOUT KIT (MONTAGGIO-BULLONI)	0			
5029	64980214	WALL MOUNT HARDWARE PLASTIC PLUG BOUCHON PLASTIQUE MATÉR.MURAL	WALL MOUNT HARDWARE PLASTIC PLUG ENCHUFE DE PLÁST.DE MONT.EN PARED	WANDMONTAGE HARDWARE PLASTIC PLUG KIT (FISCHER)	0			
5030	64980215	WALL MOUNT HARDWARE WASHER KIT (RONDELLES GALVANISÉES)	KIT (VERZINKTE WHASHER) KIT (ARANDELA GALVANIZADA)	KIT (WASHER zink) KIT (RONDELLE ZINCATE)	0			
5031	64980098	GAS VENT DIRECTLY BELOW DECAL PLAQUE D'AVERTISS.POUR ÉVENT GAZ	WARNSCHILD FÜR GASENTLÜFTUNG PLACA DE ADVERT.PARA VENTILAC.	WAARSCHUWINGSPL.VOOR GASONTLUCHT. TARGHETTA AVVERTENZA GAS VENT	0			
5032	65117092	PLASTIC PIPE CONDENSATE DRAIN TUBE CONDENSÉ EN PLASTIQUE	ROHRKONDENSATION, KUNSTSTOFF TUBO DE PLÁSTICO CONDENSA	LEIDING CONDENS KUNSTSTOF TUBO PLASTICA CONDENSA	1			

	XXXXXXXXXX				

IDENTIFICATION PLATE

SERIAL NUMBER

16 Characters :

21 03 31 20 XX 153101

Fixed reference Month of manufacture Day of manufacture Sequential number Year of manufacture

The indications mentioned on the prices, commercial or technical literature and the scheme are written for your guidance and are available at a given time. The CONSTRUCTOR retains the power to modify the presentation, the form, the size, the conception or the material of the products.
