



SPARE PARTS EXPLODED VIEW GAS-WALL CONDENSING BOILERS

Model

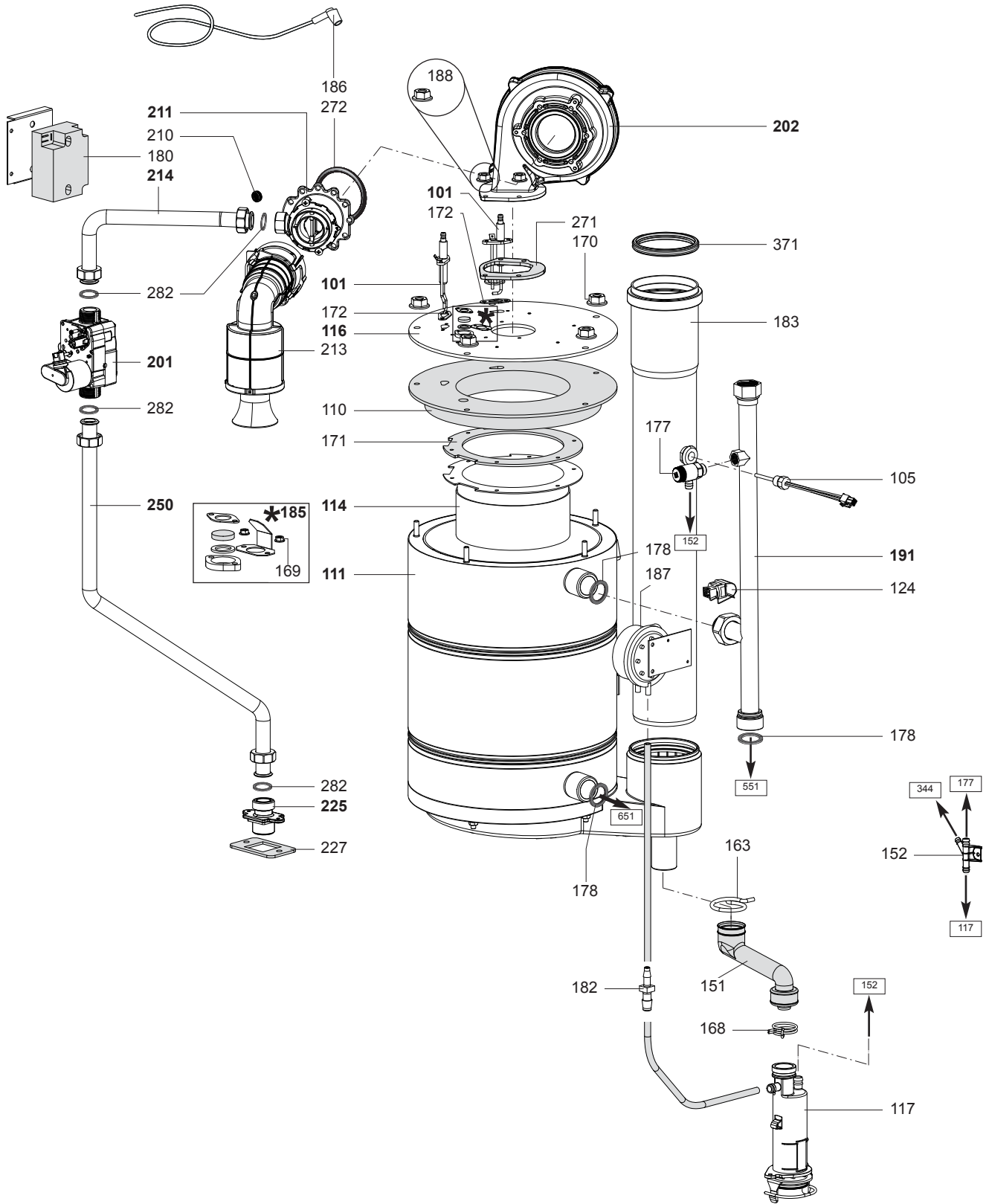
FTVN (C)

R8218553-01 - 09/07/2020

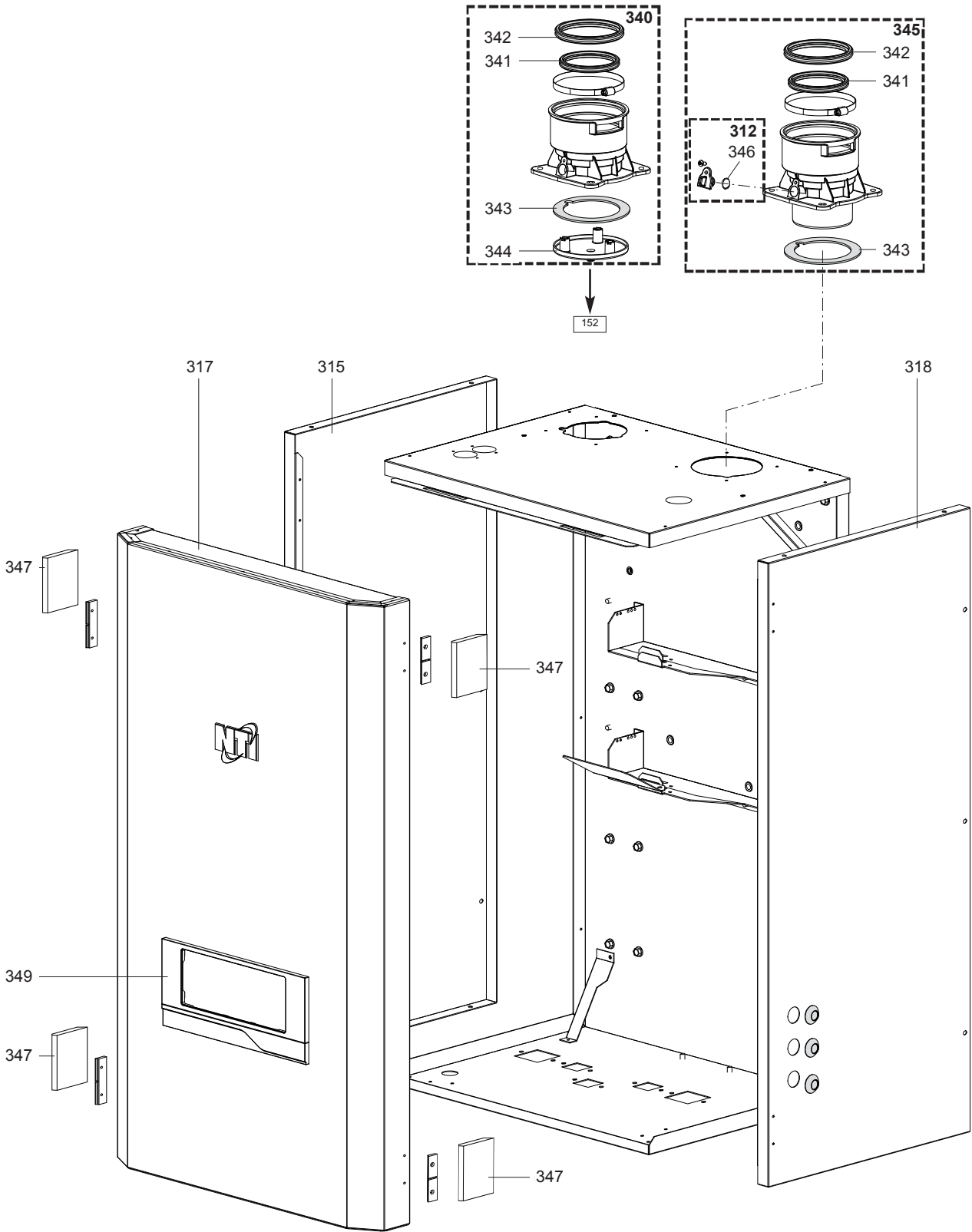
FTVN (C)

Gas-wall condensing boilers

1	0FTVN085	FTVN085	07-2020	-
2	0FTVN110	FTVN110	07-2020	-
3	0FTVN110C	FTVN110C	07-2020	-
4	0FTVN150	FTVN150	07-2020	-
5	0FTVN150C	FTVN150C	07-2020	-
6	0FTVN199	FTVN199	07-2020	-
7	0FTVN199C	FTVN199C	07-2020	-
Col	Reference	Model type	Begin	End



	Description	Manf. Pt. N	Type	FTVN Model Selection																	
				1	2	3	4	5	6	7	8	9	10	11	12	13	14	15	16	17	18
0100	EXCHANGER BLOCK																				
0101	IGNITION ELECTRODE	64980172		●	●	●	●	●	●	●	●										
0105	NTC SENSOR 4X45 1/4 10K3 SS	64980174		●	●	●	●	●	●	●	●										
0110	INSULATION (BURNER DOOR)	64980168		●	●	●															
	INSULATION (BURNER DOOR)	64980169					●	●													
	INSULATION (BURNER DOOR)	64980170								●	●										
0111	HEAT EXCHANGER	64980160		●	●	●															
	HEAT EXCHANGER	64980161					●	●													
	HEAT EXCHANGER	64980162								●	●										
0114	BURNER	64980158		●	●	●															
	BURNER	64980159					●	●	●	●	●										
0116	BURNER TOP PLATE	64980163		●	●	●															
	BURNER TOP PLATE	64980164					●	●													
	BURNER TOP PLATE	64980165								●	●										
0117	CONDENSATE TRAP	64980219		●	●	●	●	●	●	●	●										
0124	TEMPERATURE PROBE + CLIP	990686-01		●	●	●	●	●	●	●	●										
0151	PIPE (CONDENSATE DRAIN)	64980178		●	●	●	●	●	●	●	●										
0152	COUPLING Y HOSE CONNECTOR	64980263		●	●	●	●	●	●	●	●										
0163	HOSE CLAMP B-1952 (1-1/2 in x 0.162 in)	64980243		●	●	●	●	●	●	●	●										
0168	HOSE CLAMP	60000533		●	●	●	●	●	●	●	●										
0169	NUT, SERRATED FLANGE M3	64980242		●	●	●	●	●	●	●	●										
0170	NUT, SERRATED FLANGE M6	64980246		●	●	●	●	●	●	●	●										
0171	GASKET (BURNER-VC30)	64980166		●	●																
	GASKET (BURNER-VC45/VC60)	64980167					●	●	●	●	●										
0172	GASKET (IGNITION ELECTRODE)	60000286-01		●	●	●	●	●	●	●	●										
0177	AIR VENT	64980150		●	●	●	●	●	●	●	●										
0178	GASKET (PUMP)	64980157		●	●	●	●	●	●	●	●										
0180	SPARK GENERATOR	65119323		●	●	●	●	●	●	●	●										
0182	CONNECTOR TUBING 3/8 in x 1/4 in	64980244		●	●	●	●	●	●	●	●										
0183	FLUE PIPE (POLYPROPYLENE)	64980173		●	●	●	●	●	●	●	●										
0185	SIGHT GLASS (COMPLETE)	64980222		●	●	●	●	●	●	●	●										
0186	CABLE (IGNITION ELECTRODE)	64980171		●	●	●	●	●	●	●	●										
0187	AIR PRESSURE SWITCH	65118678		●	●	●	●	●	●	●	●										
0188	NUT, SERRATED FLANGE M5-08	64980241		●	●	●	●	●	●	●	●										
0191	PIPE (MANIFOLD)	64980154		●	●	●	●	●	●	●	●										
0200	GAS SECTION																				
0201	GAS VALVE	65118645		●	●	●	●	●	●	●	●										
0202	FAN	64980119								●	●										
	FAN	64980120		●	●	●	●	●	●												
0210	GAS DIAPHRAGM D: 6.40	60001923		●	●	●	●	●	●												
	GAS DIAPHRAGM D: 6.90	60001924								●	●										
	GAS DIAPHRAGM D: 8.5	65118713								●	●										
0211	MIXER 085-110-110C LP	64980100		●	●	●															
	MIXER 150-150C LP	64980102							●	●											
	MIXER 199-199C LP	64980104									●	●									
	MIXER, 085-110-110C NG	64980124		●	●	●															
	MIXER, 150-150C NG	64980125							●	●											
	MIXER, 199-199C NG	64980126										●	●								
0213	SILENCER	64980127		●	●	●	●	●	●	●	●										
0214	PIPE (GAS VALVE-MIXER)	64980144		●	●	●															
	PIPE (GAS VALVE-MIXER)	64980145								●	●										
	PIPE (GAS VALVE-MIXER)	64980146										●	●								
0225	CONNECTION M 3/4 NPT-M 3/4 G	64980176		●	●	●	●	●	●	●	●										
0227	GASKET (GAS ADAPTER)	64980217		●	●	●	●	●	●	●	●										
0250	PIPE (GAS INLET)	64980143		●	●	●	●	●	●	●	●										
0271	FAN GASKET	64980239									●	●									
	FAN GASKET	64980240		●	●	●	●	●	●												
0272	O-RING 165 NBR 70 Sh 61.91x3.53	60001878		●	●	●	●	●	●	●	●										
0282	SHEET GASKET D: 24-18.2-1.5	60022835-01		●	●	●	●	●	●	●	●										

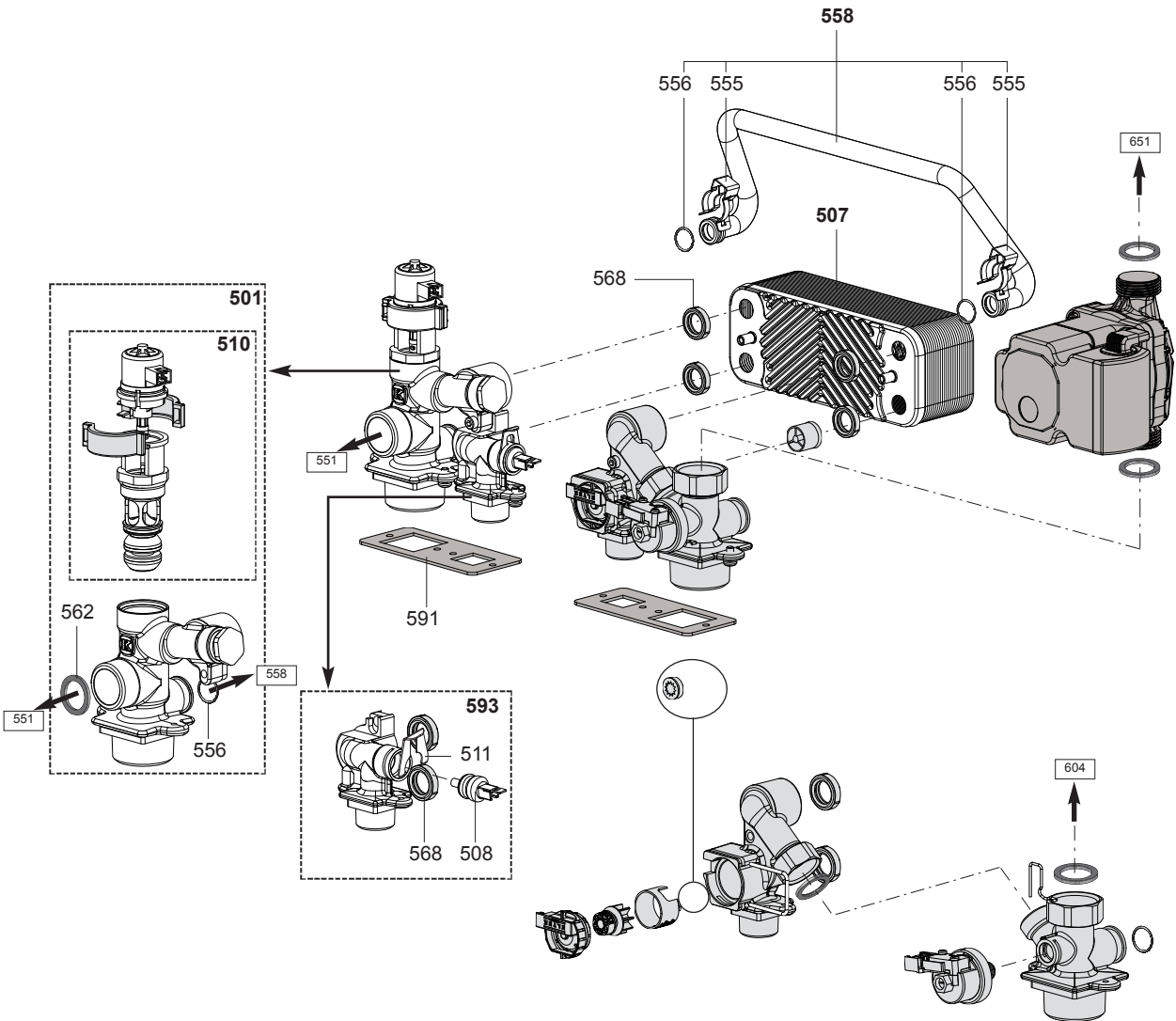
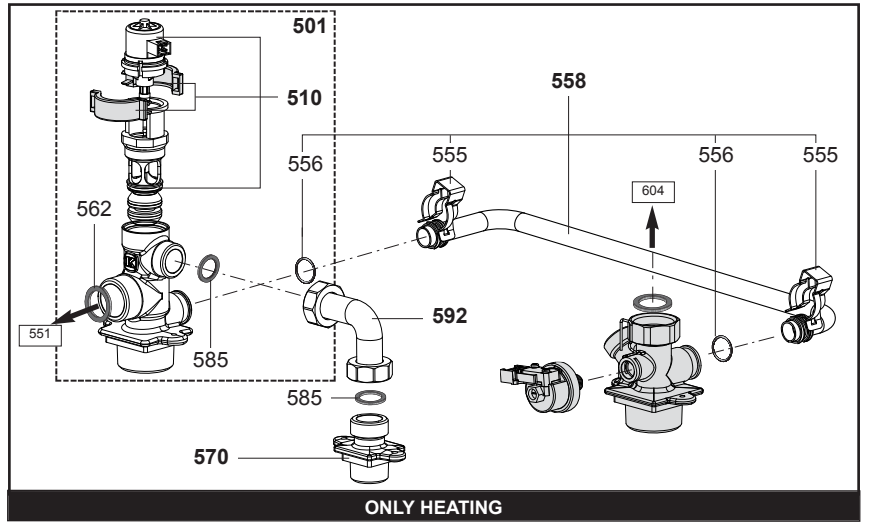
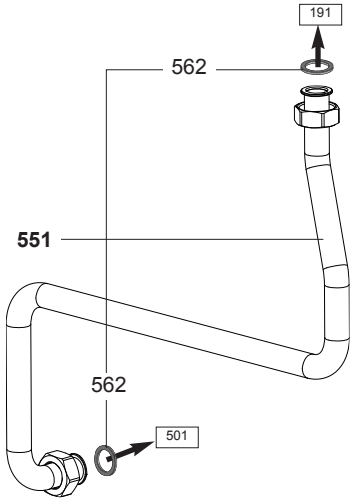


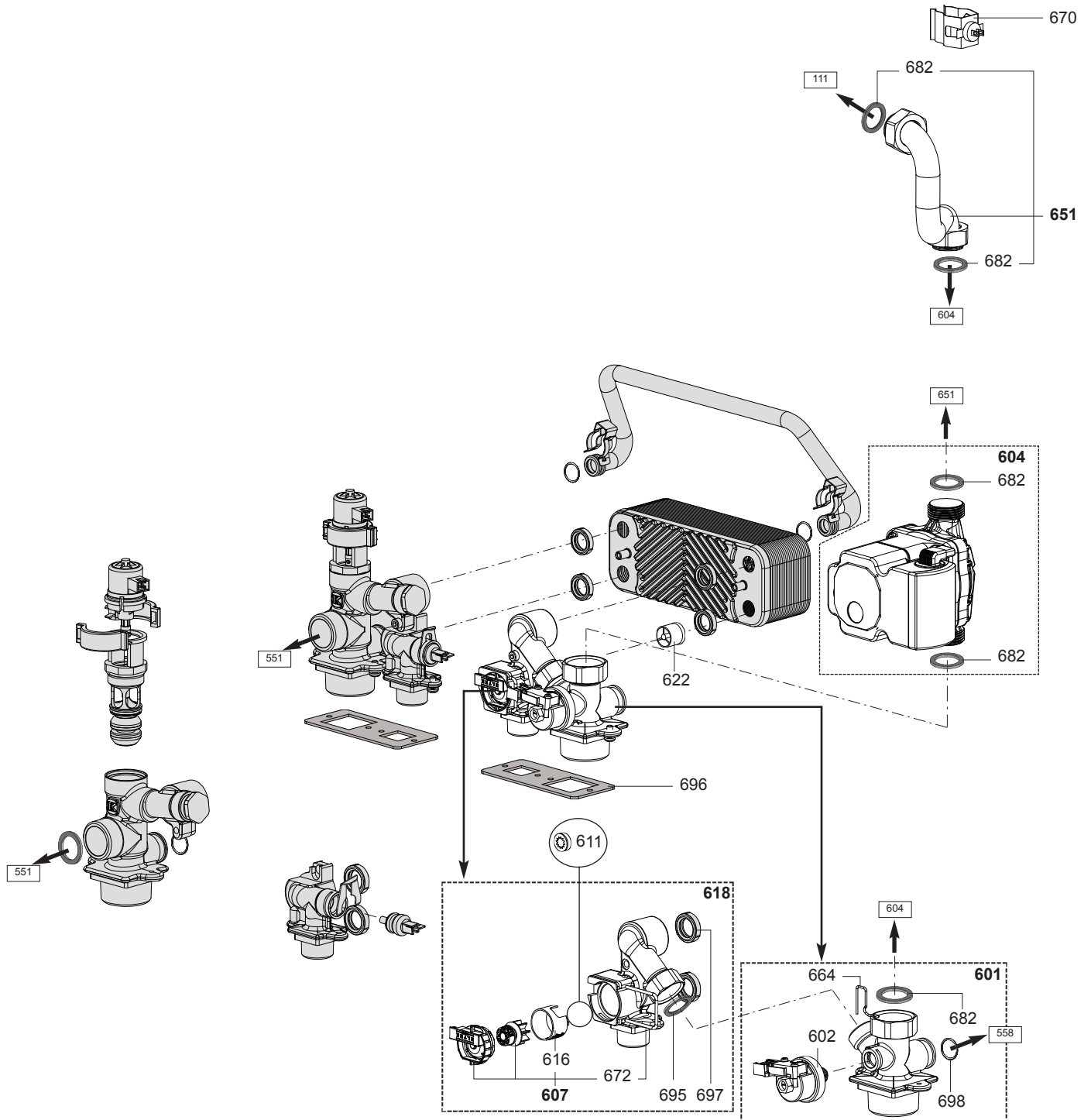
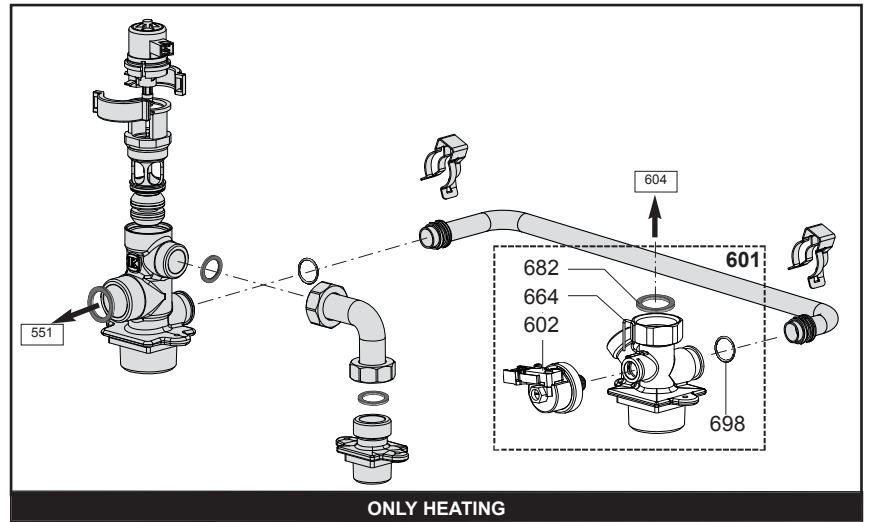
②⇒	Description	Manf. Pt. N	Type																			From	to
				1	2	3	4	5	6	7	8	9	10	11	12	13	14	15	16	17	18		

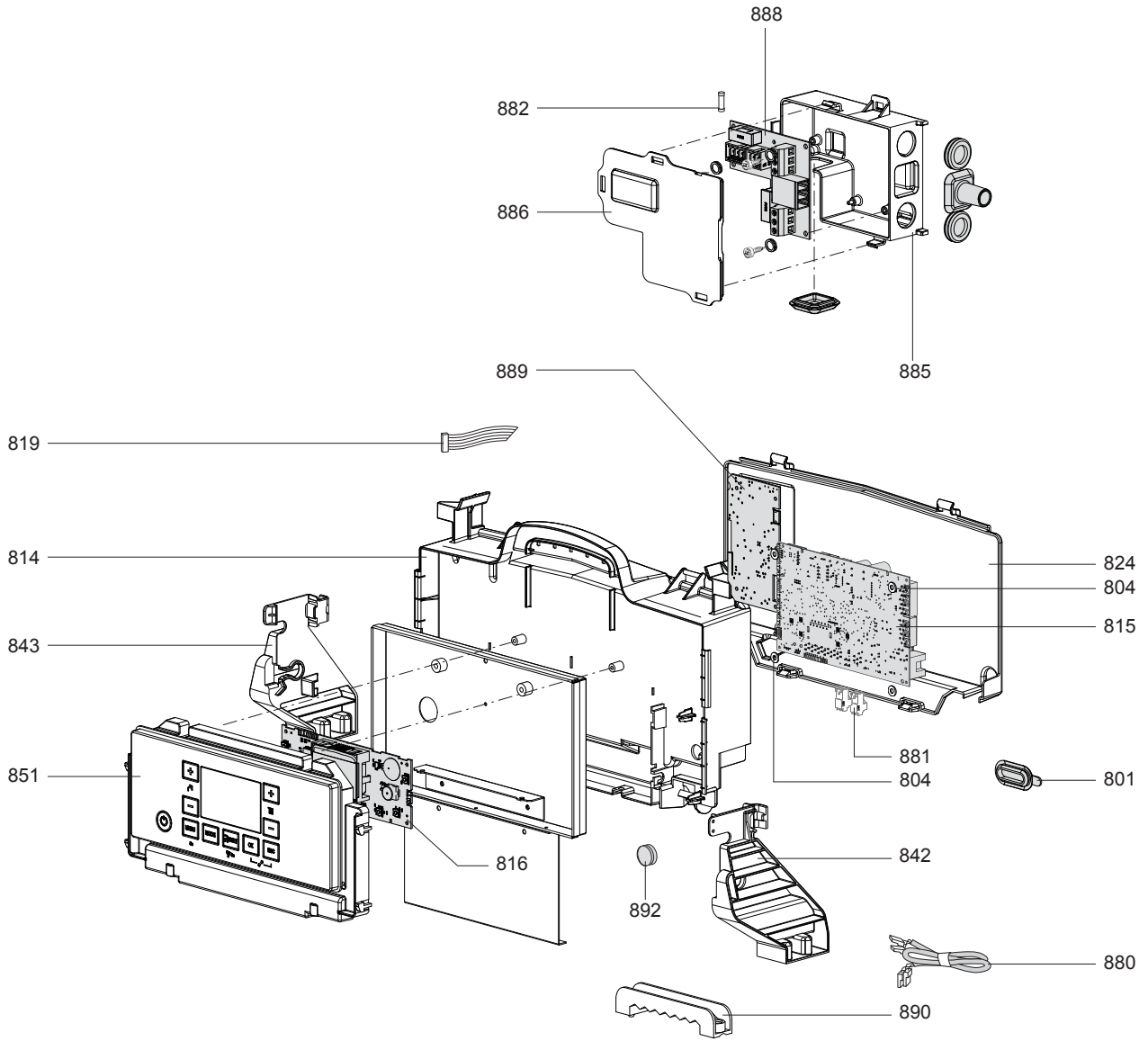
FTVN085
FTVN110
FTVN10C
FTVN180
FTVN150C
FTVN189
FTVN199C



0300	CHASSIS-FRONT CASE																				
0312	FLUE TEST PORT PLUG	64980209		●	●	●	●	●	●	●											
0315	PANEL (LEFT-SIDE-GRAY-LARGE)	64980230						●	●	●	●										
	PANEL (LEFT-SIDE-GRAY-SMALL)	64980231		●	●	●															
0317	FRONT PANEL+TOP+BOTTOM (GREY)	64980232		●	●	●	●	●	●	●											
0318	PANEL (RIGHT-SIDE-GRAY-LARGE)	64980270						●	●	●	●										
	PANEL (RIGHT-SIDE-GRAY-SMALL)	64980271		●	●	●															
0340	ADAPTOR (AIR INLET)	64980206		●	●	●	●	●	●	●	●										
0341	SEAL GASKET OUTLET 80	64980237		●	●	●	●	●	●	●	●										
0342	GASKET D90 EPDM SH.A PEROX	64980207		●	●	●	●	●	●	●	●										
0343	FOAM FLUE GAS ADAPTOR	64980208		●	●	●	●	●	●	●	●										
0344	TRAY CONDENS	64980233		●	●	●	●	●	●	●	●										
0345	ADAPTOR (FLUE OUTLET)	64980210		●	●	●	●	●	●	●	●										
0346	O-RING SEAL 2,7X8,9 EPDM PEROX 70 Sh.	64980236		●	●	●	●	●	●	●	●										
0347	DOOR LATCH	64980238		●	●	●	●	●	●	●	●										
0349	FACIA	64980264		●	●	●	●	●	●	●	●										





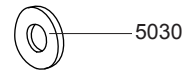
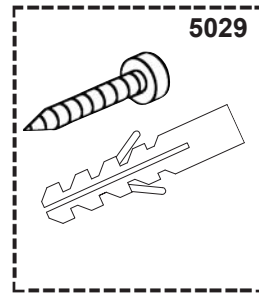
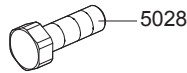
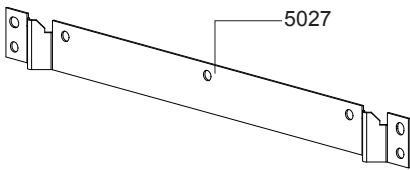
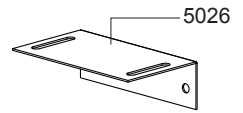
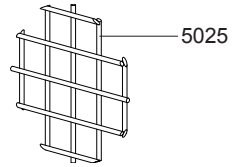
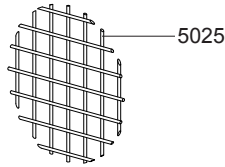
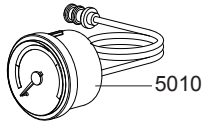
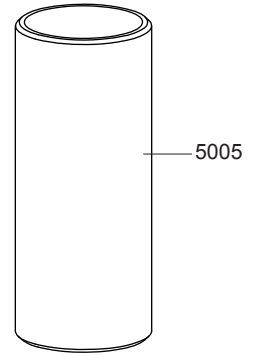
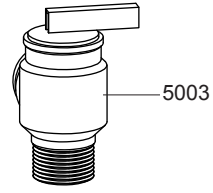
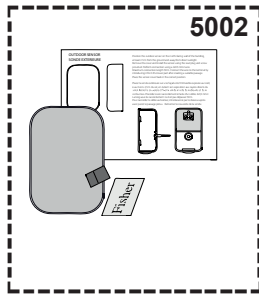
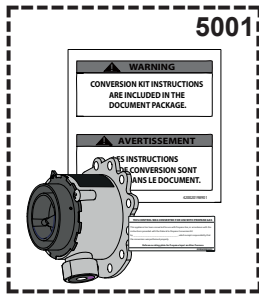


☉⇒	Description	Manf. Pt. N	Type	FTVN085 FTVN110 FTVN10C FTVN150 FTVN150C FTVN199 FTVN199C																		From	to
				1	2	3	4	5	6	7	8	9	10	11	12	13	14	15	16	17	18		

31

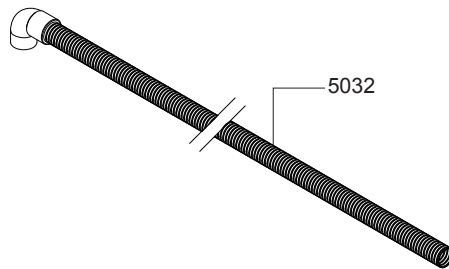
0800	ELECTRICAL BOX																							
0801	GROMMET (PCD TOOL ACCESS)	998382		•	•	•	•	•	•	•	•													
0804	WASHER	65112054		•	•	•	•	•	•	•	•													
0814	CONTROL PANEL BASE	64980075		•	•	•	•	•	•	•	•													
0815	P.C.B. (MAIN)	64980224		•	•	•	•	•	•	•	•													
0816	P.C.B. (DISPLAY)	64980225		•	•	•	•	•	•	•	•													
0819	WIRING (WI-FI BOARD)	65119586		•	•	•	•	•	•	•	•													
0824	CONTROL PANEL COVER	64980076		•	•	•	•	•	•	•	•													
0842	CONTROL PANEL HINGE (R.H.Side)	64980234		•	•	•	•	•	•	•	•													
0843	CONTROL PANEL HINGE (L.H.Side)	64980235		•	•	•	•	•	•	•	•													
0851	CONTROL PANEL	65119087		•	•	•	•	•	•	•	•													
0880	3-WAY VALVE CABLE	64980078					•				•													
	3-WAY VALVE CABLE	65118657		•	•			•			•													
	BLOWER POWER PIGTAIL (NRG118 TO NRG 128)	64980249													•	•								
	CABLE (BOILER POWER SUPPLY)	64980248		•	•	•	•	•	•	•	•													
	CABLE (DETECTION ELECTRODE)	64980097		•	•	•	•	•	•	•	•													
	CABLE (FAN-POWER SUPPLY)	64980110		•	•	•	•	•	•	•	•													
	CABLE (FUME PROBE)	64980111		•	•	•	•	•	•	•	•													
	CABLE (PUMP 5M PWM TACO)	65118695		•	•	•	•	•	•	•	•													
	CABLE (PWM)	64980079		•	•	•	•	•	•	•	•													
	CABLE (SPARK GENERATOR)	64980080		•	•	•	•	•	•	•	•													
	DISPLAY WIRING	64980077		•	•	•	•	•	•	•	•													
	GAS VALVE CABLE	64980109		•	•	•	•	•	•	•	•													
	WIRING (PUMP+JUN.BOX+MAIN BOARD)	64980085		•	•	•	•	•	•	•	•													
0881	CONNECTOR 2P	65111933		•	•	•	•	•	•	•	•													
0885	JUNCTION BOX BASE	65118661		•	•	•	•	•	•	•	•													
0886	JUNCTION BOX COVER	65118662		•	•	•	•	•	•	•	•													
0888	P.C.B. (JUNCTION BOX)	65118660		•	•	•	•	•	•	•	•													
0889	P.C.B. (WIFI-REM3)	65118649		•	•	•	•	•	•	•	•													
0890	CABLE CLAMP	65103377		•	•	•	•	•	•	•	•													
0892	GROMMET 1 in	64980267		•	•	•	•	•	•	•	•													

5022



5031

Gas Vent Directly Below
Keep Free of Obstructions



☺➡	Description	Manf. Pt. N	Type	FTVN085 FTVN110 FTVN100 FTVN150 FTVN150C FTVN199 FTVN199C																		From	to					
				1	2	3	4	5	6	7	8	9	10	11	12	13	14	15	16	17	18							
5000	JIG PLATE & PIPE FITTING																											
5001	LP CONVERSION KIT 085-110-110C FT	64980099		•	•	•																						
	LP CONVERSION KIT 150-150C FT	64980101						•	•																			
	LP CONVERSION KIT 199-199C FT	64980103												•	•													
5002	OUTDOOR SENSOR	64980218		•	•	•	•	•	•	•	•																	
5003	PRESSURE RELIEF VALVE	65118683		•	•	•	•	•	•	•	•																	
5005	CPVC PIPE 3 in, SYSTEM 636, 5 in LONG	64980094		•	•	•	•	•	•	•	•																	
5010	PRESSURE/TEMPERATURE GAUGE	65118685		•	•	•	•	•	•	•	•																	
5022	FT085-110(C) INSTALLATION KIT	64980088		•	•	•																						
	FT150(C) INSTALLATION KIT BOX	64980089							•	•																		
	FT199(C) INSTALLATION KIT BOX	64980090													•	•												
5023	ROUND MESH,VENT SCREEN (2.25 in)	64980211		•	•	•	•	•	•																			
5025	ROUND MESH, VENT SCREEN (3.375 in)	64980212		•	•	•	•	•	•	•	•																	
5026	BRACKET (WALL MOUNT-BOTTOM)	64980093		•	•	•	•	•	•	•	•																	
5027	WALL HOOK	64980096		•	•	•	•	•	•	•	•																	
5028	WALL MOUNT HARDWARE LEG BOLT	64980213		•	•	•	•	•	•	•	•																	
5029	WALL MOUNT HARDWARE PLASTIC PLUG	64980214		•	•	•	•	•	•	•	•																	
5030	WALL MOUNT HARDWARE WASHER	64980215		•	•	•	•	•	•	•	•																	
5031	GAS VENT DIRECTLY BELOW DECAL	64980098		•	•	•	•	•	•	•	•																	
5032	PLASTIC PIPE CONDENSATE DRAIN	65117092		•	•	•	•	•	•	•	•																	

FTVN (C)

Gas-wall condensing boilers

		EN		DE		NL		
		FR		ES		IT		
0101	64980172	IGNITION ELECTRODE ELECTRODE ALLUMAGE		ZUNDELEKTRODE ELECTRODO DE ENCENDIDO		ELECTRODE ONTSTEKING ELETTRODO D'ACCENSIONE		1
0105	64980174	NTC SENSOR 4X45 1/4 10K3 SS CAPTEUR NTC 4X45 1/4 10K3 SS		NTC SENSOR 4X45 1/4 10K3 SS NTC SENSOR 4X45 1/4 10K3 SS		NTC SENSOR 4X45 1/4 10K3 SS SENSORE NTC 4X45 1/4 10K3 SS		0
0110	64980168	INSULATION (BURNER DOOR) PANNEAU ISOLEMENT		ISOLIERUNGSPANEEL PANEL AISLANTE		PANNEAU ISOLEMENT PANNELLO ISOLANTE		1
	64980169	INSULATION (BURNER DOOR) PANNEAU ISOLEMENT		ISOLIERUNGSPANEEL PANEL AISLANTE		PANNEAU ISOLEMENT PANNELLO ISOLANTE		1
	64980170	INSULATION (BURNER DOOR) PANNEAU ISOLEMENT		ISOLIERUNGSPANEEL PANEL AISLANTE		PANNEAU ISOLEMENT PANNELLO ISOLANTE		1
0111	64980160	HEAT EXCHANGER ECHANGEUR		AUSTAUSCHER INTERCAMBIADOR		WARMTEWISSELAAR SCAMBIATORE		1
	64980161	HEAT EXCHANGER ECHANGEUR		AUSTAUSCHER INTERCAMBIADOR		WARMTEWISSELAAR SCAMBIATORE		1
	64980162	HEAT EXCHANGER ECHANGEUR		AUSTAUSCHER INTERCAMBIADOR		WARMTEWISSELAAR SCAMBIATORE		1
0114	64980158	BURNER BRULEUR		BRENNER QUEMADOR		BRANDER BRUCIATORE		1
	64980159	BURNER BRULEUR		BRENNER QUEMADOR		BRANDER BRUCIATORE		1
0116	64980163	BURNER TOP PLATE PLAQUE SUPÉRIEURE DU BRÛLEUR		BRANDER BOVENPLAAT PLACA SUPERIOR QUEMADOR		BRANDER BOVENPLAAT PIASTRA BRUCIATORE		1
	64980164	BURNER TOP PLATE PLAQUE SUPÉRIEURE DU BRÛLEUR		BRANDER BOVENPLAAT PLACA SUPERIOR QUEMADOR		BRANDER BOVENPLAAT PIASTRA BRUCIATORE		1
	64980165	BURNER TOP PLATE VC60 PLAQUE SUPÉRIEURE DU BRÛLEUR		BRENNER OBERE PLATTE PLACA SUPERIOR QUEMADOR		BRANDER BOVENPLAAT PIASTRA BRUCIATORE		1
0117	64980219	CONDENSATE TRAP SIPHON		SIPHON SIFON ANTICONDENSACION		SIFON SIFONE SCARICO CONDENSA		1
0124	990686-01	TEMPERATURE PROBE + CLIP SONDE NTC + CLIPS KIT		NTC-SONDE MIT CLIPS KIT SONDA NTC + CLIPS KIT		VOELER NTC + KLEM KIT SONDA NTC + CLIPS KIT		1
0151	64980178	PIPE (CONDENSATE DRAIN) TUYAU (VIDANGE DE CONDENSAT)		ROHR (KONDENSATABLAUF) TUBO (DRENAJE DE CONDENSADO)		PIJP (CONDENSAATAFVOER) TUBO SCARICO CONDENSA		1
0152	64980263	COUPLING Y HOSE CONNECTOR COUPLAGE ET CONNECT.DE TUYAU		KUPPLUNG DES SCHLAUCHANSCHLUSS. CONECTOR DE ACOPL.Y MANGUERA		KOPPELING VAN DE SLANGCONNECTOR CONNETTORE TUBI Y		1
0163	64980243	HOSE CLAMP B-1952 (1-1/2 in x 0.162 in) COLLIER DE TUYAU B-1952		SCHLAUCHKLEMME B-1952 ABRAZADERA DE MANGUERA		SLANGKLEM B-1952 (1-1/2 in x 0.162 in) CLAMP TUBO B-1952 (1-1/2 in x 0.162 in)		0
0168	60000533	HOSE CLAMP COLLIER SUR DURIT		SHELLE AUF HARTGUMMIRING ABRAZADERA DURITE		KLEM MET RUBBER COLLARE SU FLESSIBILE		1
0169	64980242	NUT, SERRATED FLANGE M3 ECROU, BRIDE SERREE M3		MUTTER, SERRIERTER FLANSCH M3 TUERCA, BRIDA SERRADA M3		MOER, GESLAGEN FLENS M3 DADO FLANGIATO M3		0
0170	64980246	NUT, SERRATED FLANGE M6 ECROU, BRIDE SERREE M6		MUTTER, SERRIERTER FLANSCH M6 TUERCA, BRIDA SERRADA M6		MOER, GESLAGEN FLENS M6 DADO FLANGIATO M6		0
0171	64980166	GASKET (BURNER) JOINT BRULEUR		DICHTUNG (BRENNER) JUNTA QUEMADOR		DICHTING (BRANDER) GUARNIZIONE BRUCIATORE		1
	64980167	GASKET (BURNER) JOINT BRULEUR		FORMDICHTUNG (BRENNER) JUNTA QUEMADOR		DICHTING (BRANDER) GUARNIZIONE BRUCIATORE		1
0172	60000286-01	GASKET (IGNITION ELECTRODE) JOINT ELECTRODE		DICHTUNG ELEKTRODEN JUNTA ELECTRODO		DICHTING ELECTRODE GUARNIZIONE ELETTRODI		1
0177	64980150	AIR VENT PURGEUR D'AIR		LUFTABLASSVENTIL PURGADOR DE AIRE		ONTLUCHTINGSKLEP VALVOLA SFIATO ARIA		1
0178	64980157	GASKET (PUMP) JOINT POMPE		DICHTUNG PUMPE JUNTA BOMBA		AFDICHTING POMP GUARNIZIONE POMPA		1
0180	65119323	SPARK GENERATOR TRANSFORMATEUR D'ALLUMAGE		ZUNDTRAFO ENCENDEDOR		ONTSTEKINGSTRANSFORMATOR ACCENDITORE		1
0182	64980244	CONNECTOR TUBING 3/8 in x 1/4 in TUBE DE CONNECTEUR 3/8 in x 1/4 in		ANSCHLUSSROHR 3/8 in x 1/4 in CONECTOR TUBERÍA 3/8 in x 1/4 in		CONNECTORBUIS 3/8 in x 1/4 in CONNETTORE TUBI 3/8 in x 1/4 in		0
0183	64980173	FLUE PIPE (POLYPROPYLENE) TUBE EN PLASTIQUE		ABGASROHR TUBO DE HUMOS CENTROTERM		FLUE PIPE (POLYPROPYLENE) TUBO SCARICO FUMI (POLIPROPILENE)		1
0185	64980222	SIGHT GLASS (COMPLETE) SIGHT GLASS (COMPLETE)		SIGHT GLASS (COMPLETE) SIGHT GLASS (COMPLETE)		SIGHT GLASS (COMPLETE) VETRO SPIA (COMPLETO)		1
0186	64980171	CABLE (IGNITION ELECTRODE) CÂBLE D'ÉLECTRODE D'ALLUMAGE		ZÜNDUNGSELEKTRODENKABEL CABLE DE ELECTR.DE ENCENDIDO		ONTSTEKINGSELECTRODE KABEL CAVO ELETTRODO ACCENSIONE		1
0187	65118678	AIR PRESSURE SWITCH PRESSOSTAT AIR		LUFTWACHTER PRESOSTATO AIRE		DRUKSCHAKELAAR LUCHT PRESSOSTATO ARIA		1
0188	64980241	NUT, SERRATED FLANGE M5-08 ECROU, BRIDE SERREE M5-08		MUTTER, SERRIERTER FLANSCH M5-08 TUERCA, BRIDA SERRADA M5-08		MOER, GESLAGEN FLENS M5-08 DADO FLANGIATO M5-08		0
0191	64980154	PIPE (MANIFOLD) TUYAU (COLLECTEUR)		ROHR (VERTEILER) TUBO (COLECTOR)		PIJP (SPRUITSTUK) TUBO COLLETTORE		1
0201	65118645	GAS VALVE VALVE GAZ		GASVENTIL VALVULA GAS		GASBLOK VALVOLA GAS		1
0202	64980119	FAN VENTILATEUR		LAUFRAD HELICE VENTILADOR		VENTILATOR VENTILATORE		1

		EN	DE	NL	
		FR	ES	IT	
	64980120	FAN VENTILATEUR	LAUFRAD HELICE VENTILADOR	VENTILATOR VENTILATORE	1
0210	60001923	GAS DIAPHRAGM D: 6.40 DIAPHRAGME GAZ D: 6.40	PLATTENVENTIL GAS D: 6.40 DIAFRAGMA GAS D: 6.40	DIAFRAGMA GAS D: 6.40 DIAFRAMMA GAS D: 6.40	1
	60001924	GAS DIAPHRAGM D: 6.90 DIAPHRAGME GAZ D: 6.90	PLATTENVENTIL GAS D: 6.90 DIAFRAGMA GAS D: 6.90	DIAFRAGMA GAS D: 6.90 DIAFRAMMA GAS D: 6.90	1
	65118713	GAS DIAPHRAGM D: 8,5 DIAPHRAGME GAZ D: 8,5	PLATTENVENTIL GAS D: 8,5 DIAFRAGMA GAS D: 8,5	DIAFRAGMA GAS D: 8,5 DIAFRAMMA GAS D: 8,5	1
0211	64980100	MIXER 085-110-110C LP MIXER 085-110-110C LP	MIXER 085-110-110C LP MIXER 085-110-110C LP	MIXER 085-110-110C LP MIXER 085-110-110C GLP	1
	64980102	MIXER 150-150C LP MIXER 150-150C LP	MIXER 150-150C LP MIXER 150-150C LP	MIXER 150-150C LP MIXER 150-150C GLP	1
	64980104	MIXER 199-199C LP MIXER 199-199C LP	MIXER 199-199C LP MIXER 199-199C LP	MIXER 199-199C LP MIXER 199-199C GPL	1
	64980124	MIXER, 085-110-110C NG MIXER, 085-110-110C NG	MIXER, 085-110-110C NG MIXER, 085-110-110C NG	MIXER, 085-110-110C NG MIXER, 085-110-110C NG	1
	64980125	MIXER, 150-150C NG MIXER, 150-150C NG	MIXER, 150-150C NG MIXER, 150-150C NG	MIXER, 150-150C NG MIXER, 150-150C NG	1
	64980126	MIXER, 199-199C NG MIXER, 199-199C NG	MIXER, 199-199C NG MIXER, 199-199C NG	MIXER, 199-199C NG MIXER, 199-199C NG	1
0213	64980127	SILENCER SILENCIEUX	SCHALLDAMPFE SILENCIADOR	SILENCER SILENZIATORE	1
0214	64980144	PIPE (GAS VALVE-MIXER) TUYAU (VANNE DE GAZ-VENTURI)	ROHR (GASVENTIL-VENTURI) TUBO (VÁLVULA DE GAS-MIXER)	PIJP (GASKLEP-VENTURI) TUBO GAS VALV.GAS-MIXER	1
	64980145	PIPE (GAS VALVE-MIXER) TUYAU (VANNE DE GAZ-VENTURI)	ROHR (GASVENTIL-VENTURI) TUBO (VÁLVULA DE GAS-MIXER)	PIJP (GASKLEP-VENTURI) TUBO GAS VALV.GAS-MIXER	1
	64980146	PIPE (GAS VALVE-MIXER) TUYAU (VANNE DE GAZ-VENTURI)	ROHR (GASVENTIL-VENTURI) TUBO (VÁLVULA DE GAS-MIXER)	PIJP (GASKLEP-VENTURI) TUBO GAS VALV.GAS-MIXER	1
0225	64980176	CONNECTION M 3/4 NPT-M 3/4 G RACCORD M 3/4 NPT-M 3/4 G	ANSCHLUSS M 3/4 NPT-M 3/4 G CONEXIÓN M 3/4 NPT-M 3/4 G	AANSLUIT.M 3/4 NPT-M 3/4 G RACCORDO M 3/4 NPT-M 3/4 G	1
0227	64980217	GASKET (GAS ADAPTER) JOINT (ADAPTATEUR GAZ)	DICHTUNG (GASADAPTER) JUNTA (ADAPTADOR DE GAS)	DICHTING (GASADAPTER) GUARNIZIONE ADATTATORE GAS	0
0250	64980143	PIPE (GAS INLET) TUYAU (ENTRÉE GAZ)	ROHR (GASEINGANG) TUBO (ENTRADA DE GAS)	PIJP (GASINLAAT) TUBO INGRESSO GAS	1
0271	64980239	FAN GASKET JOINT VENTILATEUR	DICHTUNG, GEBLASE JUNTA VENTILADOR	DICHTING VENTILATOR GUARNIZIONE VENTILATORE	0
	64980240	FAN GASKET JOINT VENTILATEUR	DICHTUNG, GEBLASE JUNTA VENTILADOR	DICHTING VENTILATOR GUARNIZIONE VENTILATORE	0
0272	60001878	O-RING 165 NBR 70 Sh 61.91x3,53 JOINT TORIQUE 165 NBR 70 Sh 61.9	O-RING 165 NBR 70 Sh 61.91x3,53 O-RING 165 NBR 70 Sh 61.91x3,53	O-RING 165 NBR 70 Sh 61.91x3,53 O-RING 165 NBR 70 Sh 61.91x3,53	1
0282	60022835-01	SHEET GASKET D: 24-18.2-1.5 JOINT PLAT D: 24-18.2-1.5	DICHT.SCHEIBE D: 24-18.2-1.5 JUNTA PLANA D: 24-18.2-1.5	DICHTING VLAK D. 24-18.2-1.5 GUARNI. PIANA D: 24-18.2-1.5	10
0312	64980209	FLUE TEST PORT PLUG BOUCHON DE PRISE FUMEE	STOPFEN ABGAS-U. ZULUFTMESS.KUNST. TAPON TOMA HUMOS	STOP ROOKGASMEETNIPPELS TAPPO ANALISI FUMI + O-RING	1
0315	64980230	PANEL (LEFT-SIDE-GRAY-LARGE) PANNEAU CÔTÉ GAUCHE GRIS (GRAND)	PANEL (LINKS SEITENGRAU-GROSS) PANEL (LADO IZQDO-GRIS-GRANDE)	PANEEL (LINKS ZIJ-GRIJS-GROOT) PANNELLO LAT.SX GRIGIO (GRANDE)	0
	64980231	PANEL (LEFT-SIDE-GRAY-SMALL) PANNEAU CÔTÉ GAUCHE GRIS (PETIT)	PANEL (LINKS SEITENGRAU-KLEIN) PANEL (IZQDO-LADO-GRIS-PEQUEÑO)	PANEEL (LINKS-ZIJ-GRIJS-KLEIN) PANNELLO.LAT.SX GRIGIO (PICCOLO)	0
0317	64980232	FRONT PANEL+TOP+BOTTOM (GREY) PANNEAU AVANT + HAUT + BAS (GRIS)	VORDERE VERKLEID.+OBEN+UNTEN (GRAU) PANEL FRONT.+SUPER.+INFEN.(GRIS)	VOORPANEEL + BOVEN + ONDER (GRIJS) PANNEL.FRONT.+TOP+FONDO GRIGIO	0
0318	64980270	PANEL (RIGHT-SIDE-GRAY-LARGE) PANNEAU (CÔTÉ DROIT-GRIS-PETIT)	PANEL (RECHTE SEITENGRAU-KLEIN) PANEL (LADO DCHO-GRIS-PEQUEÑO)	PANEEL (RECHTERKANT-GRIJS-KLEIN) PANNELLO LAT.DX GRIGIO (GRANDE)	0
	64980271	PANEL (RIGHT-SIDE-GRAY-SMALL) PANNEAU (CÔTÉ DROIT-GRIS-PETIT)	PANEL (RECHTS-GRAU-KLEIN) PANEL LADO DCHO GRIS (PEQUEÑO)	PANEEL (RECHTERKANT-GRIJS-KLEIN) PANNELLO LAT.DX GRIGIO (PICCOLO)	0
0340	64980206	ADAPTOR (AIR INLET) ADAPTATEUR D'ENTRÉE D'AIR	ADAPTER, LUFT EINGANG ADAPTADOR DE ENTRADA DE AIRE	LUCHTINLAAT ADAPTER ADATTATORE INGRESSO ARIA	1
0341	64980237	SEAL GASKET OUTLET 80 JOINT DE SORTIE 80	DICHTUNGS AUSGANG 80 JUNTA DE SALIDA 80	PAKKING UITLAAT 80 GUARNIZIONE D80 USCITA FUMI	1
0342	64980207	GASKET D90 EPDM SH.A PEROX JOINT D90 EPDM SH.A PEROX	DICHTUNG D90 EPDM SH.A PEROX JUNTA D90 EPDM SH.A PEROX	DICHTING D90 EPDM SH.A PEROX GUARNIZIONE D90 EPDM SH.A PEROX	1
0343	64980208	FOAM FLUE GAS ADAPTOR MOUSSE ADAPTAT.DE GAZ DE FUMÉE	DICHTUNG ABGASBOGEN ESPUMA DE ADAPT.DE GASES DE GOMA	SCHUIMKANAALADAPTER GUARNIZIONE COLLETTORE FUMI	1
0344	64980233	TRAY CONDENS PLATEAU CONDENS	TABLETT KONDENSAT BANDEJA CONDENS	LADE CONDENS VASSOIO CONDENSA	1
0345	64980210	ADAPTOR (FLUE OUTLET) ADAPTATEUR, SORTIE DE FUMÉE	ADAPTER, RAUCH AUSGANG ADAPTADOR, SALIDA DE HUMO	ADAPTER, ROOKUITGANG ADATTATORE USCITA FUMI	1
0346	64980236	O-RING SEAL 2,7X8,9 EPDM PEROX 70 Sh. JOINT TOR.2,7X8,9 EPDM PEROX 70 Sh.	NDICHTRING 2,7X8,9 EPDM PEROX 70 Sh. JUNTA TOR.2,7X8,9 EPDM PEROX 70 Sh.	DICH-RING 2,7X8,9 EPDM PEROX 70 Sh. O-RING 2,7X8,9 EPDM PEROX 70 Sh.	1
0347	64980238	DOOR LATCH FERMETURE DU PANNEAU	PANELSCHLISSUNG CIERRE DEL PANEL	PANEEL SLUITING CHIUSURA MANTELLO	0
0349	64980264	FACIA PLASTRON	EINSATZ PLASTRON	PLAAT PIASTRA	1

		EN		DE		NL		
		FR		ES		IT		
0501	64980182	GROUP (3 WAY VALVE-SYSTEM) GROUPE VALVE 3 VOIES-SYSTEM		GRUPPE (3-WEGE-VENTIL-SYSTEM) GRUPO VÁLVULA 3 VÍAS SYSTEM		GROEP (3 MANIEREN KLEP-SYSTEM) GRUPPO VALVOLA 3 VIE		1
	64980199	GROUP (3 WAY VALVE) GROUPE DE VANNES À 3 VOIES		GRUPPE (3-WEGE-VENTIL) GRUPO DE VÁLVULAS DE 3 VÍAS		GROEP (3-WEGS KLEP) GRUPPO VALVOLA 3 VIE		1
0507	64980203	SANITARY HEAT EXCHANGER (27 P.) ECHANGEUR SANITAIRE 27 PLAQUES		PLATTENWAERMETAUSCHER INTERCAMBIADOR SANITARIO 27		WARMTEWISSELAAR SANITAIR 27 PLATEN SCAMBIATORE SANITARIO 27 PIASTRE		1
0508	65104338-01	NTC PROBE SONDE NTC		FUHLER SONDA NTC		VOELER NTC SONDA NTC		1
0510	64980198	MOTOR + CARTRIDGE 3 WAY VALVE KIT KIT MOTEUR+CLAPET DE VANNE 3 V.		MOTOR MIT VERSCHLUSS VENTIL 3-WEGE KIT MOTOR+GRUPO 3 VÍAS		MOTOR + KLEP - 3 WEGKLEP KIT MOTORE+OTTURAT VALV 3 VIE		1
0511	65104339	CLIP D:12 CLIP D:12		KLAMMER D:12 CLIP D:12		KLEM D:12 CLIP D:12		1
0551	64980156	PIPE (C.H. OUTLET) TUBE DEPART CHAUFFAGE		VORLAUFROHR TUBO ENVÍO		BUIS VERTREK VERWARMING TUBO MANDATA		1
0555	64980186	CLIP (BY-PASS PIPE-SYSTEM) CLIP (TUYAU BY-PASS)		CLIP (BY-PASS-ROHR) CLIP TUBO BY-PASS		CLIP (BY-PASS BUIS) CLIP TUBO BY-PASS		1
0556	64980202	O-RING 13.95 X 2.62 JOINT TORIQUE D: 13.95 X 2.62		NDDICHTRING D: 13.95 X 2.62 JUNTA TORICA D: 13.95 X 2.62		DICHTINGSRING D: 13.95 X 2.62 ANELLO OR 13.95 X 2.62		1
0558	64980187	BY-PASS PIPE TUBE BY-PASS		BYPASS-ROHR TUBO BY-PASS		BUIS BY-PASS TUBO BY-PASS		1
	64980197	BY-PASS PIPE TUBE BY-PASS		BYPASS-ROHR TUBO BY-PASS		BUIS BY-PASS TUBO BY-PASS		1
0562	64980157	GASKET (PUMP) JOINT POMPE		DICHTUNG PUMPE JUNTA BOMBA		AFDICHTING POMP GUARNIZIONE POMPA		1
0568	65114928	EXCHANGER GASKET JOINT ECHANGEUR		DICHTUNG WARMETAUSCHER JUNTA INTERCAMBIADOR		DICHTING WISSELAAR GUARNIZIONE SCAMBIATORE		5
0570	64980188	CONNECTION M 3/4 NPT - M 3/4 G RACCORD M 3/4 NPT - M 3/4 G		ANSCHLUSS M 3/4 NPT - M 3/4 G CONEXIÓN M 3/4 NPT - M 3/4 G		AANSluitING M 3/4 NPT - M 3/4 G RACCORDO M 3/4 NPT - M 3/4 G		1
0576	990686-01	TEMPERATURE PROBE + CLIP SONDE NTC + CLIPS KIT		NTC-SONDE MIT CLIPS KIT SONDA NTC + CLIPS KIT		VOELER NTC + KLEM KIT SONDA NTC + CLIPS KIT		1
0585	64980192	GASKET EPDM 5/8 in ID X 0.94 in OD JOINT EPDM 5/8 in ID X 0.94 in OD		DICHTUNG EPDM 5/8 in ID X 0.94 in OD JUNTA EPDM 5/8 in ID X 0.94 in OD		DICHTING EPDM 5/8 in ID X 0.94 in OD GUARNIZIONE EPDM 5/8 in ID X 0.94 in OD		1
0591	64980250	GASKET (HYDROBLOCK) JOINT HYDROBLOC		DICHTUNG (HYDROBLOCK) JUNTA (HIDROBLOQUE)		DICHTING (HYDROBLOCK) GUARNIZIONE GRUPPO IDRAULICO		0
0592	64980189	PIPE (CH OUTLET) TUBE DEPART CHAUFFAGE		VORLAUFROHR TUBO ENVÍO		BUIS VERTREK VERWARMING TUBO MANDATA		1
0593	64980194	GROUP (DHW OUTLET) HAUSWASSERAUSGANGSGRUPPE		HAUSWASSERAUSGANGSGRUPPE GRUPO SALIDA DE AGUA CAL.SANIT.		GROEP (SHW OUTLET) GRUPPO USCITA ACQUA SANITARIA		1
0601	64980183	GROUP (PUMP) GROUPE POMPE		PUMPENGRUPPE GRUPO DE BOMBA		GROEP (POMP) GRUPPO POMPA		1
	64980221	GROUP (PUMP-COMBI) GROUPE POMPE		PUMPENGRUPPE GRUPO DE BOMBA		GROEP (POMP) GRUPPO POMPA		1
0602	65118663	LOW PRESSURE SWITCH DETECTEUR DE PRESSION		DRUCKWAECHTER PRESOSTATO DE MÍNIMA		DRUKSCHAKELAAR MINIMUM PRESSOSTATO DI MINIMA		1
0604	64980191	PUMP ES2 3VK 63-7C-C US POMPE ES2 3VK 63-7C-C US		PUMPE ES2 3VK 63-7C-C US BOMBA ES2 3VK 63-7C-C US		POMP ES2 3VK 63-7C-C US POMPA ES2 3VK 63-7C-C US		1
0607	64980195	FLOW METER CARTOUCHE DEBITMETRE KIT		UMSCHALTER HEIZUNG / SANITAR KIT OBTURADOR CALEFAC./SANIT.		DEBIETMETER FLOW SWITCH SANITAIR FLUSSOSTATO SANITARIO		1
0611	64980196	DHW FLOW RESTRICTORS (KIT) LIMITEURS DE DEBIT KIT		TUELLESET REDUCTOR (KIT)		DEBIETBEGRENZER (KIT) LIMITATORI DI PORTATA (KIT)		1
0616	64980266	DHW FILTER FILTRE À EAU		WASSERFILTER FILTRO DE AGUA		WATER FILTER FILTRO ACQUA		1
0618	64980220	GROUP (COLD WATER INLET) GROUPE D'ENTRÉE D'EAU FROIDE		GRUPPE (KALTWASSER EINLASS) GRUPO DE ENTRADA DE AGUA FRÍA		INLAATGROEP KOUD WATER GRUPPO ENTRATA ACQUA FREDDA		1
0622	64980204	BY-PASS BY-PASS		BY-PASS BY-PASS		BY-PASS BY-PASS		1
0651	64980155	PIPE (C.H. RETURN) TUBE RETOUR CHAUFFAGE		RUCKLAUFROHR TUBO RETORNO INSTALACION		BUIS RETOUR VERWARMING TUBO RITORNO		1
0664	65104322	CLIP CLIP		KLAMMER PUMPE CLIP		KLEM CLIP		1
0670	990686-01	TEMPERATURE PROBE + CLIP SONDE NTC + CLIPS KIT		NTC-SONDE MIT CLIPS KIT SONDA NTC + CLIPS KIT		VOELER NTC + KLEM KIT SONDA NTC + CLIPS KIT		1
0672	64980200	CLIP (FLOW METER) CLIP INTERRUPTEUR DE DÉBIT		CLIP (DURCHFLOSSSCHALTER) CLIP INTERRUPTOR DE FLUJO		CLIP (STROOMSCHAKELAAR) CLIP FLUSSIMETRO		1
0682	64980157	GASKET (PUMP) JOINT POMPE		DICHTUNG PUMPE JUNTA BOMBA		AFDICHTING POMP GUARNIZIONE POMPA		1
0695	64980201	GASKET 3/4 in 24x15x2 JOINT 3/4 in 24x15x2		DICHTUNG 3/4 in 24x15x2 KIT - JUNTA 3/4 in 24x15x2		AFDICHTING 3/4 in 24x15x2 GUARNIZIONE 3/4 in 24x15x2		1
0696	64980250	GASKET (HYDROBLOCK) JOINT HYDROBLOC		DICHTUNG (HYDROBLOCK) JUNTA (HIDROBLOQUE)		DICHTING (HYDROBLOCK) GUARNIZIONE GRUPPO IDRAULICO		0
0697	65114928	EXCHANGER GASKET JOINT ECHANGEUR		DICHTUNG WARMETAUSCHER JUNTA INTERCAMBIADOR		DICHTING WISSELAAR GUARNIZIONE SCAMBIATORE		5

		EN	DE	NL	
		FR	ES	IT	
0698	64980202	O-RING 13.95 X 2.62 JOINT TORIQUE D: 13.95 X 2.62	NDDICHTRING D: 13.95 X 2.62 JUNTA TORICA D: 13.95 X 2.62	DICHTINGSRING D: 13.95 X 2.62 ANELLO OR 13.95 X 2.62	1
0801	998382	GROMMET (PCD TOOL ACCESS) JOINT ENTREE REGULATION	GUMMIABDECKUNG POTENTIOMETER JUNTA	DICHTING GOMMINO ACCESSO REGOLAZIONE	5
0804	65112054	WASHER RONDELLE	SCHEIBE ARANDELA	RONDEL RONDELLA	1
0814	64980075	CONTROL PANEL BASE PORTE INSTRUMENTS	INSTRUMENTENHALTER FRONTAL	BEHUIZING BEDIENINGSPANEEL PORTASTRUMENTI	1
0815	64980224	P.C.B. (MAIN) CIRCUIT IMPRIME PRINCIPAL	ELEKTROHAUPTPLATINE CIRCUITO PRINCIPAL	PRINTKAART SCHEDE PRINCIPALE	1
0816	64980225	P.C.B. (DISPLAY) CIRCUIT IMPRIME D'AFFICHAGE	DISPLAYPLATINE CIRCUITO DISPLAY	PRINT DISPLAY SCHEDE DISPLAY	1
0819	65119586	WIRING (WI-FI BOARD) CABLAGE (CIRCUIT WIFI)	WIRING (WIFI BOARD) INSTALACION ELECTRICA (CIRC.WIFI)	ELEKTRISCHE BEDRADING (PRINT WIFI) CABLAGGIO SCHEDE WIFI	1
0824	64980076	CONTROL PANEL COVER COUVERCLE ARRIERE TABLEAU COM.	RUCKWARTIGER DECKEL, FRONTBLLENDE TAPA POSTER.PANEL DE MANDOS	HOUDER STUURPRINT COPERCHIO BOX	1
0842	64980234	CONTROL PANEL HINGE (R.H.Side) SUPPORT (droit)	TRAGER SOPORTE	SUPPORT SUPPORTO DX	1
0843	64980235	CONTROL PANEL HINGE (L.H.Side) SUPPORT (gauche)	TRAGER SOPORTE	SUPPORT SUPPORTO SX	1
0851	65119087	CONTROL PANEL TABLEAU DE COMMANDE	FRONTBLLENDE FRONTAL	BEDIENINGSPANEEL FRONTALINO	1
0880	64980077	DISPLAY WIRING CABLAGE AFFICHEUR	DISPLAY VERBINDUNGSKABEL CABLEADO DISPLAY	DISPLAY WIRING CABLAGGIO DISPLAY	1
	64980078	3-WAY VALVE CABLE CABLAGE VANNE 3 VOIES	KABEL 3-WEGEVENTIL CABLEADO VALVULA DE TRES VIAS	BEDRADING DRIEWEG KLEP CABLAGGIO VALVOLA A 3 VIE	1
	64980079	CABLE (PWM) CABLAGE PWM	VERBINDUNG PWM CABLEADO PWM	Cablage PWM CABLAGGIO PWM	1
	64980080	CABLE (SPARK GENERATOR) CÂBLE (GÉNÉRATEUR D'ÉTINCELLES)	KABEL (ZUNDTRAFO) CABLE (GENERADOR DE CHISPA)	KABEL (VONKENGEGENERATOR) CABLAGGIO ACCENDITORE	1
	64980085	WIRING (PUMP+JUN.BOX+MAIN BOARD) CABLE POMPE+JUN.BOX+CARTE ELECTR.	ANSCHLUSSKABEL PUMPE+JUN.BOX+ELEKTR.PL. CABLE BOMBA+JUN.BOX+TARJETA EL.	BEDRADING POMP+JUN.BOX+ELEKTR.KARTE CAVO POMPA+JUN.BOX+SCHEDE PR.	1
	64980097	CABLE (DETECTION ELECTRODE) CABLAGE ELECTRODE IONISATION	IONISATIONSKABEL CABLE ELECTRODO DE DETECCION	CABLE (DETECTION ELECTRODE) CAVO ELETTRODO RILEVAZIONE	1
	64980109	GAS VALVE CABLE CABLAGE VANNE GAZ	KABEL ZUNDER CABLEADO VALVULA GAS	BEDRADING GASBLOK CABLAGGIO VALVOLA GAS	1
	64980110	CABLE (FAN-POWER SUPPLY) CABLE (ALIMENTATION DE VENTILAT.)	KABEL (VENTILATOR-STROMVERSORG.) CABLE DE ALIMENTACION DE VENTIL.	KABEL (FAN-VOEDING) CAVO ALIMENTAZIONE VENTILATORE	1
	64980111	CABLE (FUME PROBE) CABLE DE SONDÉ D'ÉCHAPPEMENT	ABGAS SONDE VERLÄNGERUNGSKABEL CABLE DE SONDÁ DE HUMO	VERLENGINGSKABEL ROOK SONDE CAVO SONDÁ FUMI	1
	64980248	CABLE (BOILER POWER SUPPLY) CABLE (ALIMENTAT.DE LA CHAUD.)	KABEL (KESSEL-STROMVERSORGUNG) CABLE DE ALIMENT.DE LA CALDERA	KABEL (STROOMVOORZIENING) CAVO ALIMENTAZIONE CALDAIA	1
	64980249	BLOWER POW.PIGTAIL (NRG118 TO NRG 128) ADAPT.DE CABLE DE VENTIL.(118->128)	KABEL (VENTILATOR-STROMVERSORG.) CABLE DE ALIMENTAC.DE VENTILAD.	VENTILATORKABELADAPT.(NRG118->NRG128) CAVO ADATTATORE VENTILATORE	1
	65118657	3-WAY VALVE CABLE CABLAGE VANNE 3 VOIES	KABEL 3-WEGEVENTIL CABLEADO VALVULA DE TRES VIAS	BEDRADING DRIEWEG KLEP CABLAGGIO VALVOLA A 3 VIE	1
	65118695	CABLE (PUMP 5M PWM TACO) CABLE POMPE 5M PWM TACO	VERKABELUNG PUMPE 5M PWM TACO CABLEADO BOMBA 5M PWM TACO	BEDRADING POMP 5M PWM TACO CAVO POMPA 5M PWM TACO	1
0881	65111933	CONNECTOR 2P CONNECTEUR 2 POLES	STECKER 2-POLIG CONECTOR 2P	STEKKER 2-POLIG CONNETTORE 2 POLI	5
0885	65118661	JUNCTION BOX BASE COUVERCLE FIXE (BOITE DE JONCTION)	FESTE ABDECKUNG (JUNKTIONSKASTEN) CUBIERTA FIJA (CAJA DE JUNTOS)	VASTE COVER (VERBINDINGSBOX) FONDO JUNCTION BOX	1
0886	65118662	JUNCTION BOX COVER COUVERCLE (BOITE DE JONCTION)	ABDECKUNG (JUNKTIONSKASTEN) CUBIERTA (CAJA DE JUNTOS)	DEKKING (JUNCTION BOX) COPERCHIO JUNCTION BOX	1
0888	65118660	P.C.B. (JUNCTION BOX) CIRCUIT CLIP-IN LOADS NA	LEITERPLATTE CLIP-IN LOADS NA CIRCUITO ELECTR.CLIP-IN LOADS NA	PRINTKAART (CLIP IN LOADS NA) SCHEDE CLIP-IN LOADS NA	1
0889	65118649	P.C.B. (WIFI-REM3) CIRCUIT IMPRIME REM 3	ELEKTROPLATINE (REM3) CIRCUITO REM3	PRINTKAART REM3 SCHEDE REM3	1
0890	65103377	CABLE CLAMP PASSE CABLE PRESSOSTAT	KABELKLEMME SUJETA-CABLE	KABELDOORVOER DRUKSCHAKELAAR PRESSACAVO	1
0892	64980267	GROMMET 1 in OUILLET 1 in	TÜLLE 1 in OJAL 1 in	DOORVOERTULE 1 in GOMMINO 1 in	0
5001	64980099	LP CONVERSION KIT 085-110-110C EQT TRANSF. 085-110-110C	F-GAS-UMSTELLSET G31 085-110-110C KIT TRANSFORM.G31 085-110-110C	OMBOUWSET G31 085-110-110C TRASFORMAZ.G31 085-110-110C	1
	64980101	LP CONVERSION KIT 150-150C EQT TRANSF. G31 150-150C	F-GAS-UMSTELLSET G31 150-150C KIT TRANSFORMACION G31 150-150C	OMBOUWSET G31 150-150C TRASFORMAZIONE G31 150-150C	1
	64980103	LP CONVERSION KIT 199-199C EQT TRANSF. G31 199-199C	F-GAS-UMSTELLSET G31 199-199C KIT TRANSFORM.G31 199-199C	OMBOUWSET G31 199-199C TRASFORMAZIONE G31 199-199C	1
5002	64980218	OUTDOOR SENSOR SONDE EXTERIEURE FILAIRE	AUSSENFUEHLER SONDA EXTERNA CON CABLES	BUITENVOELER SONDA ESTERNA CON CAVI	1
5003	65118683	PRESSURE RELIEF VALVE SOUPAPE DE SECURITE	SICHERHEITSENTIL VALVULA DE SEGURIDAD	VEILIGHEIDSGROEP VALVOLA DI SICUREZZA	1

☰	XXXXXXXXXX 	EN		DE		NL		✘ ☒
		FR		ES		IT		
5005	64980094	CPVC PIPE 3 in, SYSTEM 636, 5 in LONG TUYAU CPVC 3 in, 5 in LONG		CPVC-ROHR 3 in, 5 in LANG TUBO DE CPVC DE 3 in., 5 in LAR		CPVC-BUIS 3 in, 5 in LANG TRONCHETTO CPVC 3 in L=5 in		0
5010	65118685	PRESSURE/TEMPERATURE GAUGE MANOMETRE / THERMOMETRE		THERMOHYDROMETER TERMOMANOMETRO		MANOMETER - THERMOMETER TERMOIDROMETRO		1
5022	64980088	FT085-110(C) INSTALLATION KIT FT085-110(C) INSTALLATION KIT		FT085-110(C) INSTALLATION KIT FT085-110(C) INSTALLATION KIT		FT085-110(C) INSTALLATION KIT KIT INSTALLAZIONE FT085-110(C)		0
	64980089	FT150(C) INSTALLATION KIT BOX FT150(C) INSTALLATION KIT BOX		FT150(C) INSTALLATION KIT BOX FT150(C) INSTALLATION KIT BOX		FT150(C) INSTALLATION KIT BOX KIT INSTALLAZIONE FT150(C)		0
	64980090	FT199(C) INSTALLATION KIT BOX FT199(C) INSTALLATION KIT BOX		FT199(C) INSTALLATION KIT BOX FT199(C) INSTALLATION KIT BOX		FT199(C) INSTALLATION KIT BOX KIT INSTALLAZIONE FT199(C)		0
5023	64980211	ROUND MESH, VENT SCREEN (2.25 in) MAILLE RONDE, ÉCRAN D'ÉVENT (2,25 in)		RUNDES MESH, ENTLÜFT.SBILDSCH.(2,25 in) MALLA REDON., PANTAL.DE VENT.(2,25 in)		RONDE MESH, VENT-SCHERM (2,25 in) PROTEZIONE SCARICO FUMI (2,25 in)		0
5025	64980212	ROUND MESH, VENT SCREEN (3.375 in) MAILLE RONDE, ÉCRAN D'ÉVENT (3,375 in)		RUNDES MESH, ENTLÜFT.SBILDSCH.(3,375 in) MALLA RED., PANTAL.DE VENT.(3,375 in)		RONDE MESH, VENT-SCHERM (3,375 in) PROTEZIONE SCARICO FUMI (3,375 in)		0
5026	64980093	BRACKET (WALL MOUNT-BOTTOM) SUPPORT DE MONT.MURAL INFÉR.		UNTERE WANDHALTERUNG SOPORTE DE MONT.EN PARED INF.		ONDERSTE MUURBEUGEL STAFFA D'AGGANCIO INFERIORE		0
5027	64980096	WALL HOOK PLATINE SUPPORT MURAL		WANDHALTERPLATTE PLACA SOPORTE MURAL		WANDBEVESTIGING STAFFA D'AGGANCIO SUPERIORE		0
5028	64980213	WALL MOUNT HARDWARE LEG BOLT BOULON DE JAMBE DE MATÉR.DE MONT.MURAL		BEINSCHRAUBE FÜR WANDHALTERUNG PERNO DE PIERNA DE MONT.EN PARED		WANDMONTAGE HARDWARE BEENBOUT KIT (MONTAGGIO-BULLONI)		0
5029	64980214	WALL MOUNT HARDWARE PLASTIC PLUG BOUCHON PLASTIQUE MAT.MURAL		WALL MOUNT HARDWARE PLASTIC PLUG ENCHUFE DE PLÁST.DE MONT.EN PARED		WANDMONTAGE HARDW.PLASTIC PLUG KIT (FISCHER)		0
5030	64980215	WALL MOUNT HARDWARE WASHER KIT (RONDELLES GALVANISÉES)		KIT (VERZINKTE WHASHER) KIT (ARANDELA GALVANIZADA)		KIT (WASHER zink) KIT (RONDELLE ZINCATE)		0
5031	64980098	GAS VENT DIRECTLY BELOW DECAL PLAQUE D'AVERTISS.POUR ÉVENT DE GAZ		WARNSCHILD FÜR GASENTLÜFTUNG PLACA DE ADVERT.PARA VENTILAC.		WAARSCHUWINGSPL.VOOR GASONTLUCHT. TARGHETTA AVVERTENZA GAS VENT		0
5032	65117092	PLASTIC PIPE CONDENSATE DRAIN TUBE CONDENSÉ EN PLASTIQUE		ROHRKONDENSATION, KUNSTSTOFF TUBO DE PLÁSTICO CONDENSA		LEIDING CONDENS KUNSTSTOF TUBO PLASTICA CONDENSA		1

IDENTIFICATION PLATE

SERIAL NUMBER

16 Characters :

21 03 31 20 XX 153101

Fixed reference Month of manufacture Day of manufacture Sequential number Year of manufacture

The indications mentioned on the prices, commercial or technical literature and the scheme are written for your guidance and are available at a given time. The CONSTRUCTOR retains the power to modify the presentation, the form, the size, the conception or the material of the products.
