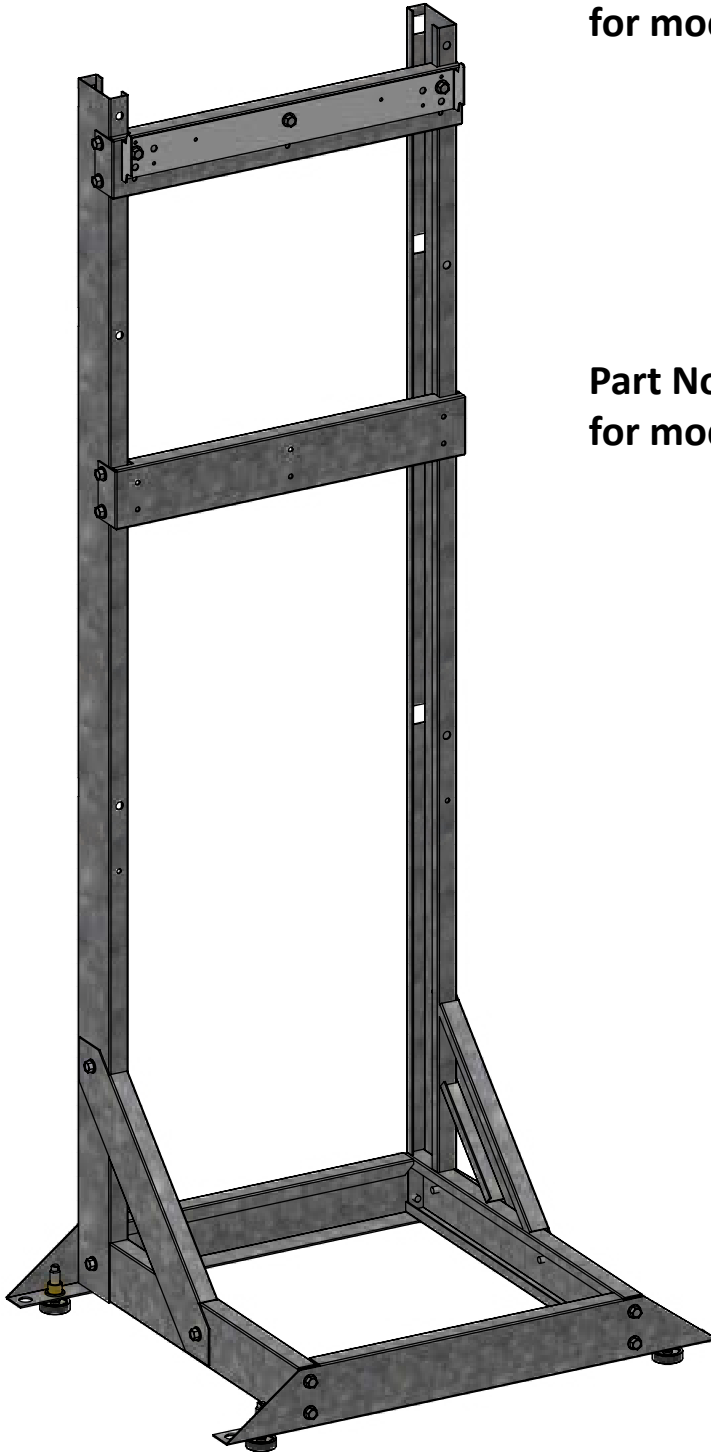


## Assembly instructions



### **Part No. 86998**

for models — TRX085 – 199C  
FTVN085 – 199C  
S20W  
TFTN085 – 285  
Tft60 – 285\*

\* S/N 153063 and later.  
Will not fit earlier units.

### **Part No. 86999**

for models — TFNT340 – 399  
Tft340 – 399\*\*

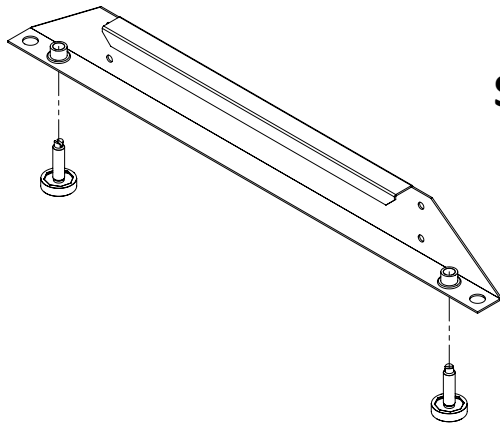
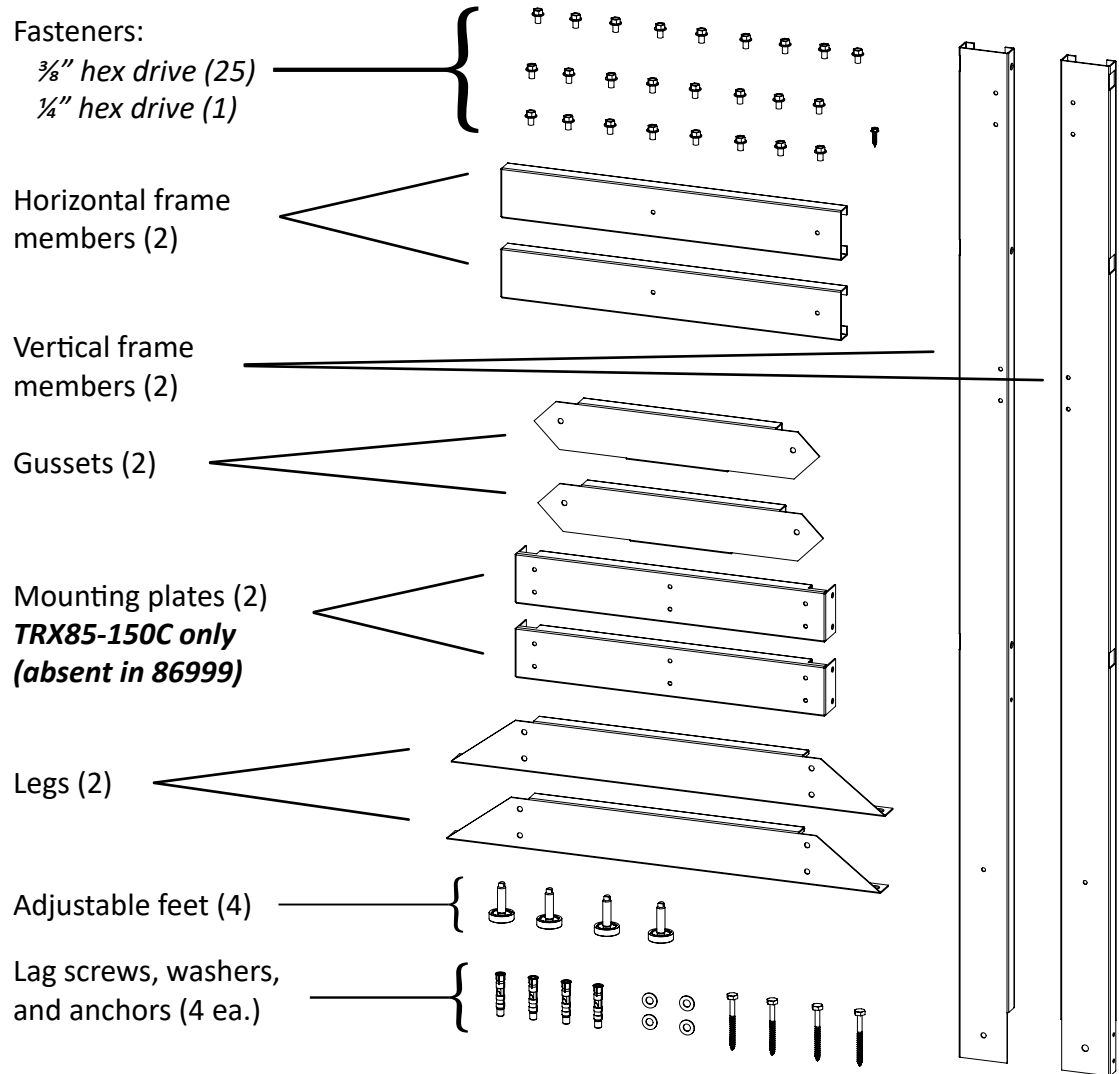
\*\* S/N 2109222038157799  
and later.  
Will not fit earlier units.

- Easy to assemble – only two tools required:  
( $\frac{1}{4}$ " &  $\frac{3}{8}$ " nut drivers)
- Sturdy 16 ga galvanized steel construction
- Positions boiler at ideal height for installation and service
- Anti-topple mounting hardware included

# 2

## Floor Stand – Assembly instructions

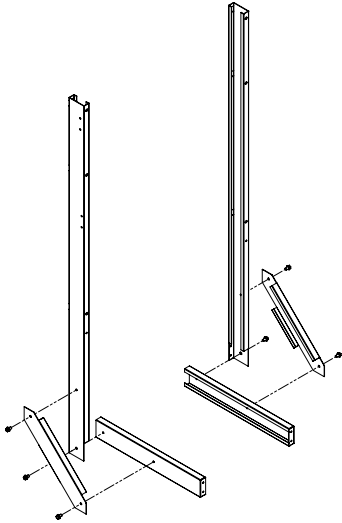
### BEFORE ASSEMBLY — Verify contents:



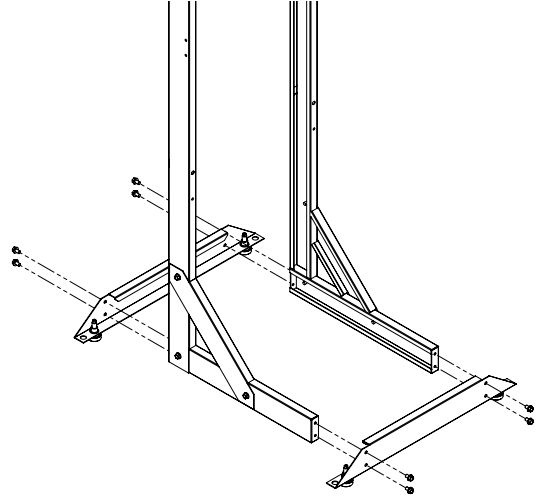
### STEP 1 — Level legs using adjustable feet.

If fixing stand directly to floor:  
use lag screws, washers, anchors,  
and provided holes (4). Omit feet.

**STEP 2** — Assemble left and right frame segments.

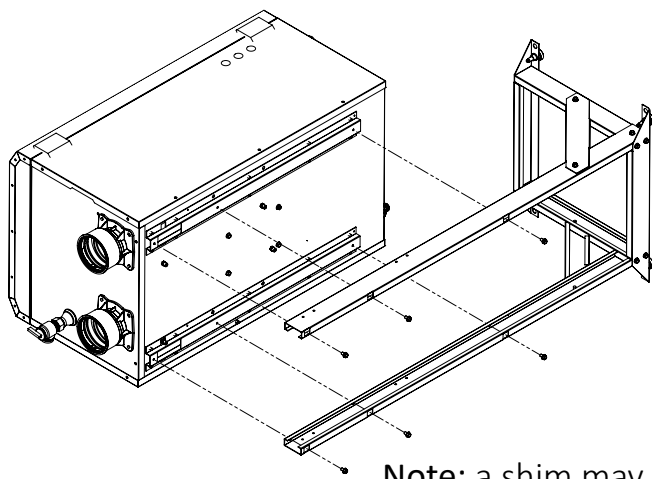


**STEP 3** — Fasten legs to frame.



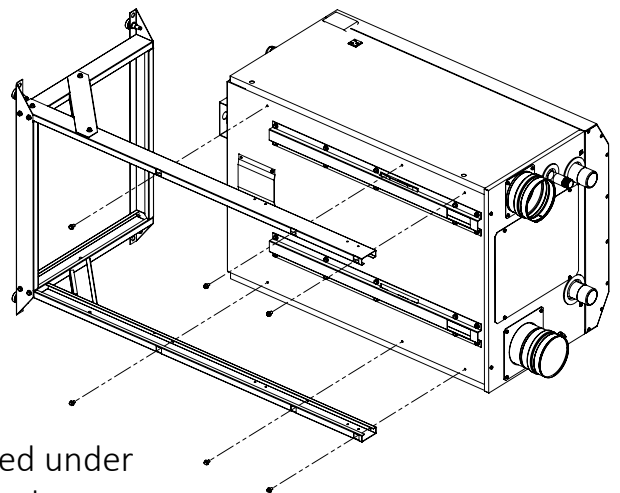
**STEP 4** — TRX150, 199, 199C  
FTVN085 – 199C  
TFTN085 – 285  
Tft60 – 285 & S20W

Lay boiler and completed floor stand on their sides and fasten stand to boiler using holes in centre of rails.



**STEP 4** — TFTN340 – 399  
Tft340 – 399

Lay boiler and completed floor stand on their sides and fasten stand to boiler using holes outboard of rails.



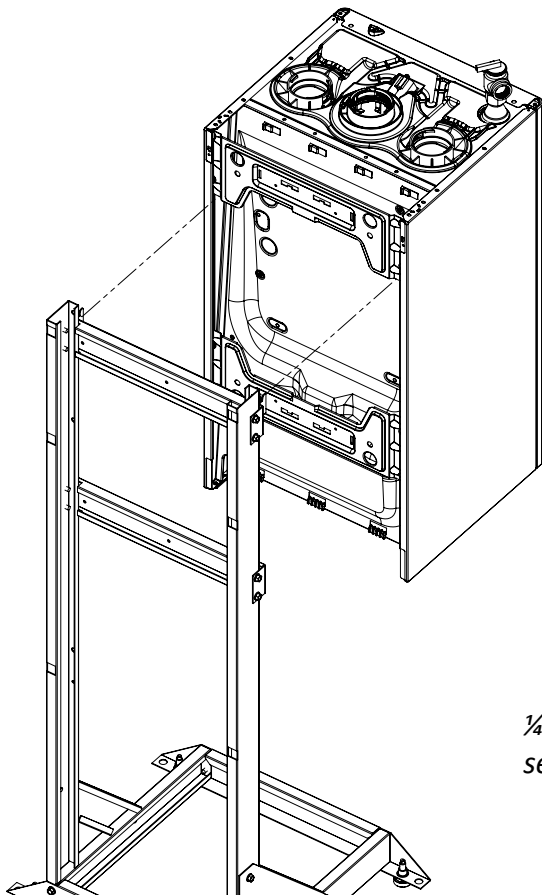
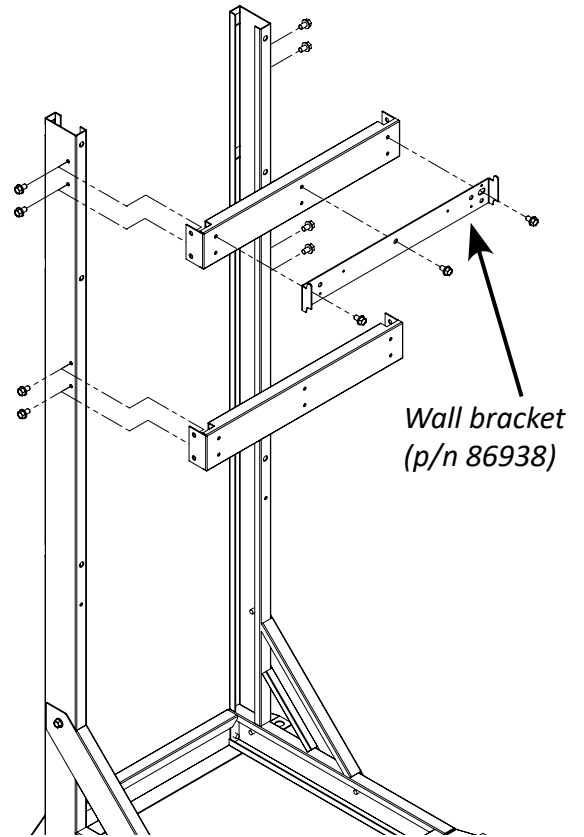
**Note:** a shim may be required under boiler to align screw holes.

# 4

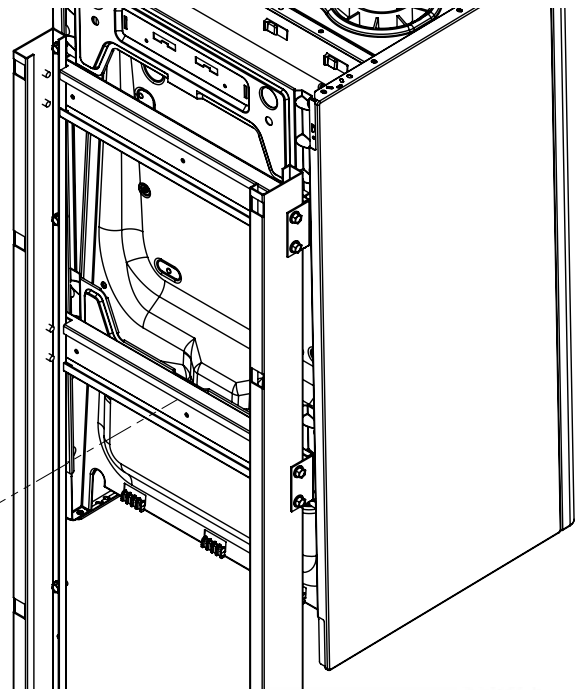
## Floor Stand – Assembly instructions

### STEP 4 — TRX085, 110C, 120, 150C

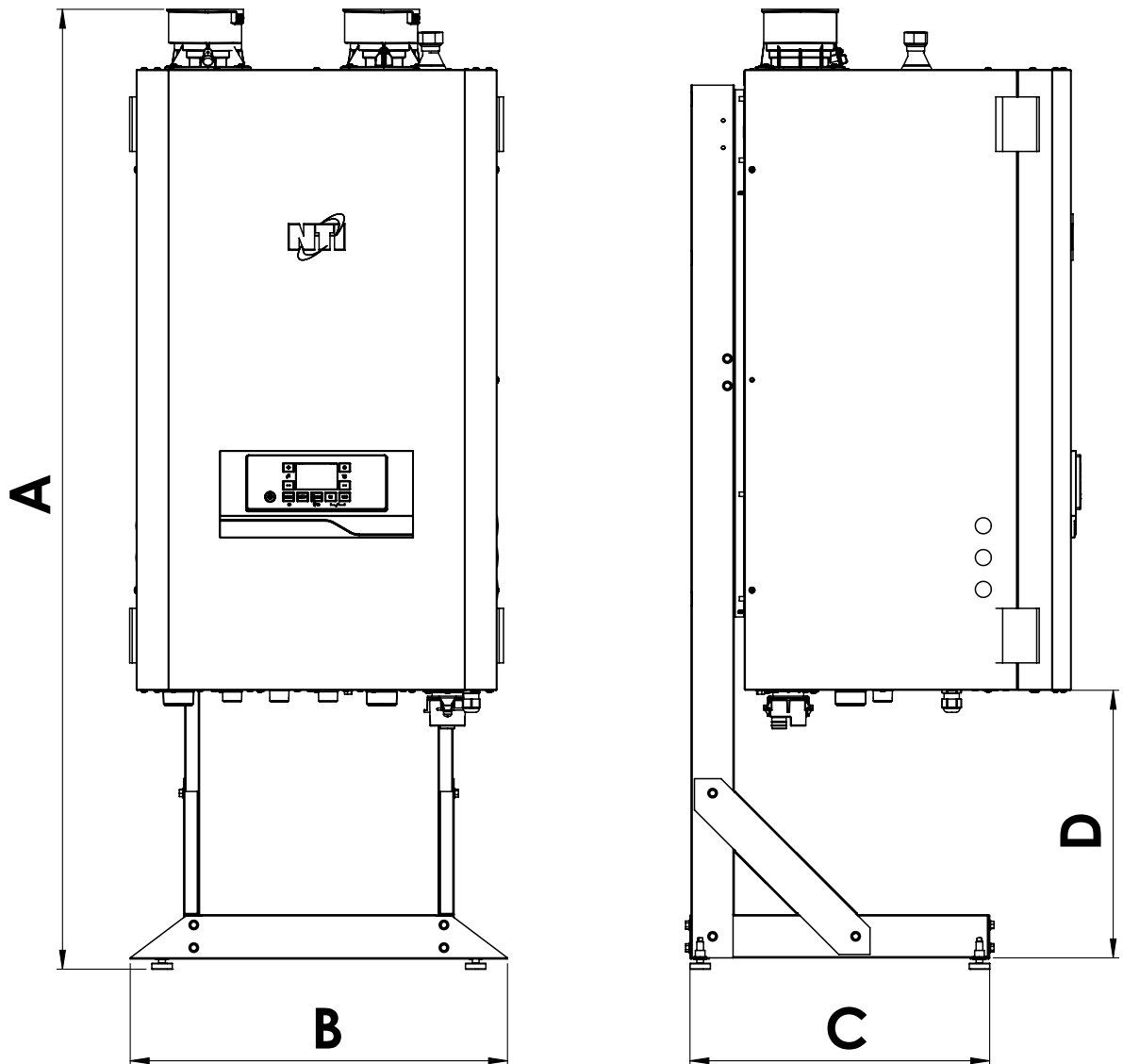
- Fasten mounting plates to completed floor stand.
- Fasten wall bracket (p/n 86938; located inside the boiler box) to upper mounting plate.
- Hang boiler on wall bracket.
- Secure boiler with single screw through lower mounting plate.



1/4" hex drive self-drilling screw



# Floor Stand – Dimensions



Model	Dimensions (inches)			
	A	B	C	D
Tft60-110	53-7/8	20-3/4	16-1/2	15-5/8
Tft154	53-7/8	20-3/4	16-1/2	14-7/8
Tft201-285	52-5/8	20-3/4	16-1/2	14-7/8
Tft340-399	55-3/4	28-7/8	19-3/4	14-1/2
TRX085, TRX120, TRX110C and TRX150C	53-5/8	20-3/4	16-1/2	22-5/8
TRX150 and TRX199(C)	52-7/8	20-3/4	16-1/2	14-7/8
FTVN085-199(C)				
TFTN085-285				
TFTN340-399	57	28-7/8	19-3/4	14-1/2

