



TRX085 & TRX120 High Efficiency Gas-Fired Condensing Boiler

SUBMITTAL SHEET
Section 1 – General Specifications
Section 2 – Product Dimensions
Section 3 – Field Wiring

Project Name: _____ Date: _____
Location: _____
Engineer: _____
Contractor: _____ Rep: _____

1 – GENERAL SPECIFICATIONS

Product Features:

- ✓ Certified to ANSI Z21.13 / CSA 4.9 Gas-fired Boiler Standard
- ✓ SA-312 Tp. 304L Stainless Steel Water Tube Heat Exchanger
- ✓ ASME “H” stamped boiler, designed and constructed in compliance with the ASME Boiler and Pressure Vessel Code Section IV
- ✓ Maximum operating pressure 55 psi
- ✓ Wall mounted
- ✓ Zero clearance to combustibles (clearances required for service)
- ✓ Modulating burner, 9:1 turndown ratio
- ✓ Certified as Direct Vent (sealed combustion) or for use with indoor combustion air
- ✓ Sealed cabinet
- ✓ High energy ignition transformer (spark ignition)
- ✓ Built-in water pressure bypass (guarantees minimum water flow)
- ✓ Low water pressure switch
- ✓ Integrated ECM boiler circulator
- ✓ Integrated 3-way valve (diverts between DHW & CH demands)
- ✓ Integrated condensate trap
- ✓ On / Off button
- ✓ Two 120 VAC outputs for external circulators (DHW/CH)
- ✓ DHW zone input (tank thermostat or sensor)
- ✓ CH zone input x 2 (room sensor or end-switch)
- ✓ Outdoor temperature sensor input
- ✓ WiFi remote connectivity embedded

Control Features:

- ✓ Integral microprocessor safety control – flame safeguard and temperature
- ✓ TEST Mode – for combustion setup
- ✓ PURGE cycle – for air purging
- ✓ AUTO function (outdoor/indoor reset) – resets boiler temperature depending on outdoor and/or room temperature
- ✓ Adjustable reset curve (slope/parallel shift)
- ✓ Adjustable reset temperature boost
- ✓ Summer/Winter changeover (WWSD)
- ✓ Integrated programmable T-stat x 2 (w. optional room sensors)
- ✓ Adjustable freeze protection
- ✓ Factory settings restore option
- ✓ Cascade up to 8 TRX-series boilers
- ✓ Adjustable post purge timer
- ✓ Adjustable ignition delay timer
- ✓ Manual mode operation (pump/fan/diverter)
- ✓ Boiler statistics
- ✓ Lockout and error history
- ✓ Optional 0-10V / 4-20mA input clip-in module

Factory Supplied Items:

- ✓ 10K thermistor outdoor sensor
- ✓ 30 psi ASME pressure relief valve
- ✓ Pressure & temperature gauge
- ✓ LP conversion kit
- ✓ Easy connection water pipes w/support bracket
- ✓ Vent screens

CH – Water Connections, Sweat	DHW – Water Connections, Sweat	Gas Connection, NPT	Vent/Air-Inlet Connection	Max. Vent/Air-Inlet Length	
				2” pipe	3” pipe
1” (Male)	¾” (Male)	¾” (Male)	2 in. PVC/CPVC/PP	100 ft	150 ft

Performance Specifications

Model	Input Rating, MBH	Heating Capacity, MBH	Net AHRI Rating, MBH	AFUE %
TRX085	9.4 - 85	79	69	96
TRX120	13.2 - 120	111	97	95



NTI Boilers Inc.

NTI Boilers Inc. 30 Stonegate Drive, Saint John, NB E2H 0A4 Canada

Technical Services: 1-800-688-2575 Fax: 1-506-432-1135 Web: [http:// www.ntiboilers.com](http://www.ntiboilers.com)

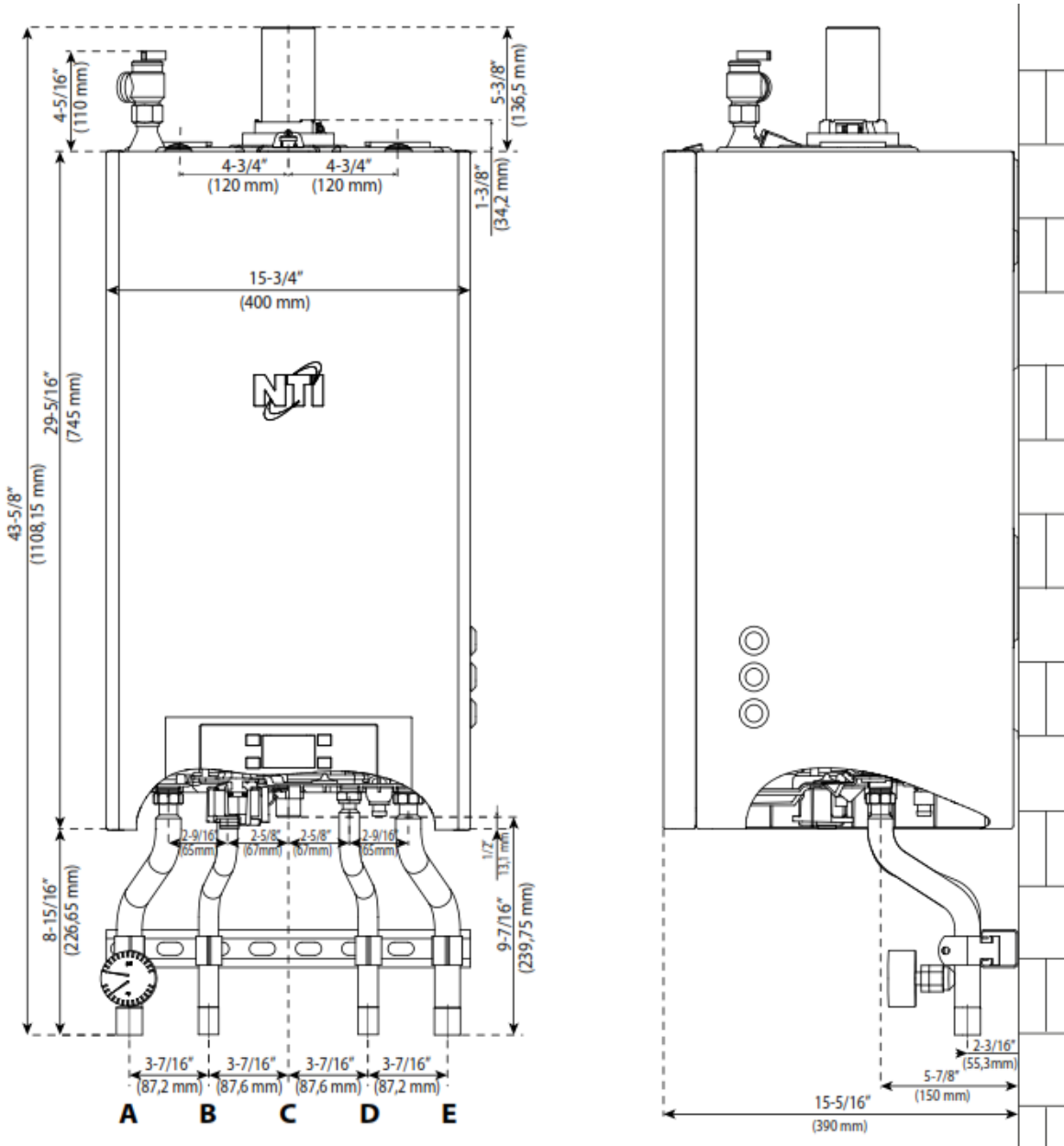
NTI Boilers Inc. reserves the right to change these specifications without notice



TRX085 & TRX120 High Efficiency Gas-Fired Condensing Boiler

SUBMITTAL SHEET
 Section 1 – General Specifications
 Section 2 – Product Dimensions
 Section 3 – Field Wiring

2 – PRODUCT DIMENSIONS - in.



Model	TRX085	TRX120	Model	TRX110C	TRX150C
A - Central Heating Supply	1"		A - Central Heating Supply	1"	
B - Return from Indirect Water Heater	3/4"		B - Domestic Hot Water Outlet	3/4"	
C - Gas Inlet	3/4"		C - Gas Inlet	3/4"	
D - Domestic Hot Water Inlet	Not Used		D - Domestic Hot Water Inlet	3/4"	
E - Central Heating Return	1"		E - Central Heating Return	1"	
F - Pressure Relief Valve			F - Pressure Relief Valve		

MINIMUM SERVICE CLEARANCES - in.

Front	Top	Sides	Back	Bottom	Flue Pipe
18	14	2	0	12	1



NTI Boilers Inc.

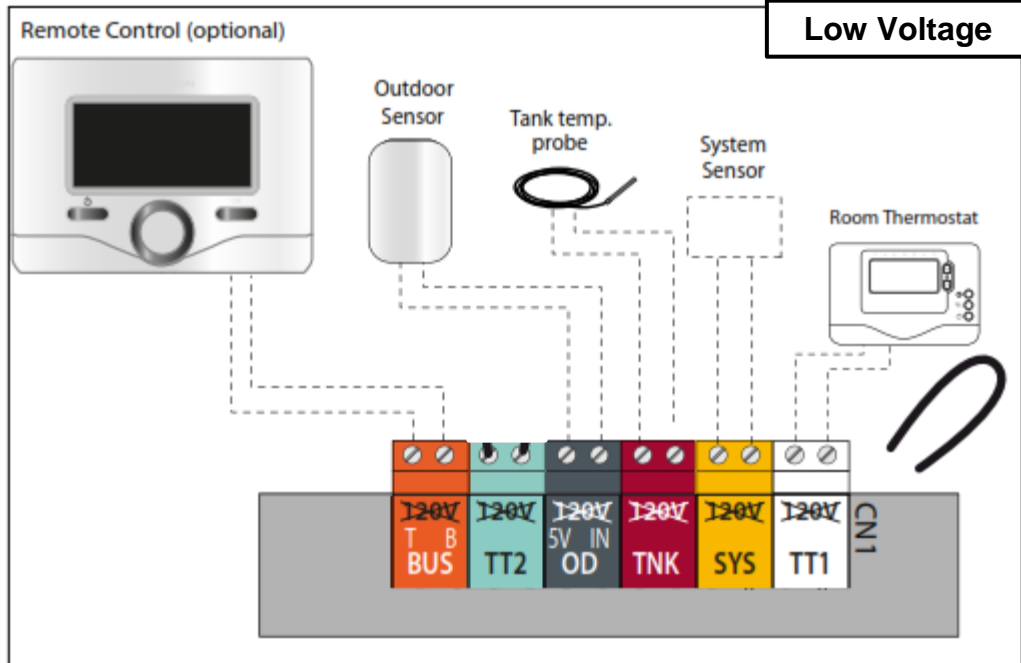
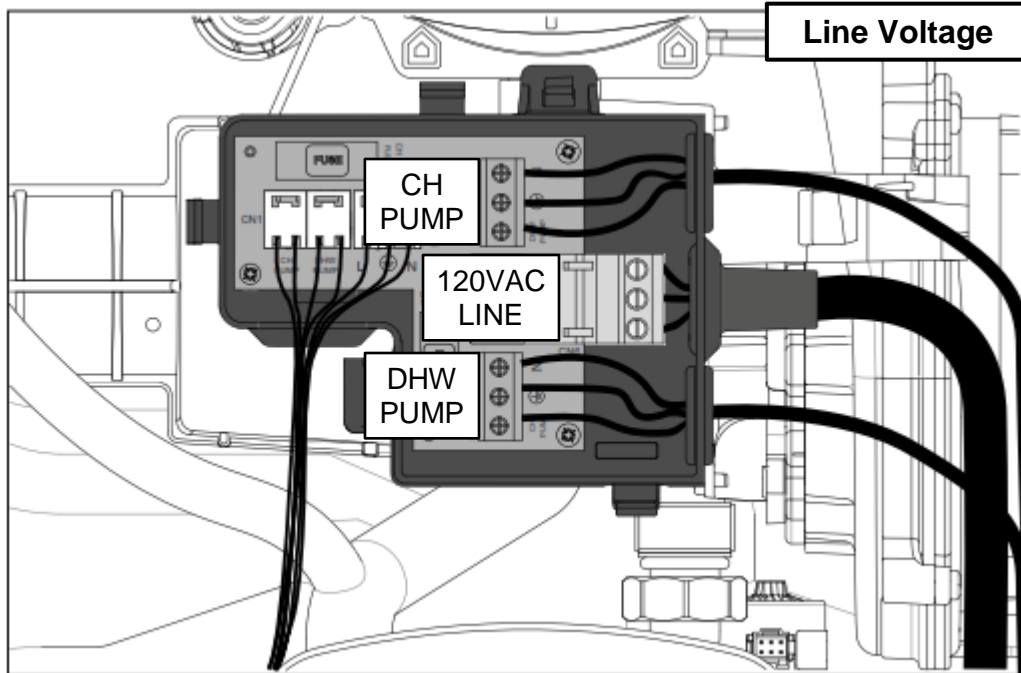
NTI Boilers Inc. 30 Stonegate Drive, Saint John, NB E2H 0A4 Canada
 Technical Services: 1-800-688-2575 Fax: 1-506-432-1135 Web: [http:// www.ntiboilers.com](http://www.ntiboilers.com)
 NTI Boilers Inc. reserves the right to change these specifications without notice



TRX085 & TRX120
High Efficiency Gas-Fired Condensing Boiler

SUBMITTAL SHEET
Section 1 – General Specifications
Section 2 – Product Dimensions
Section 3 – Field Wiring

3 -- FIELD WIRING



NTI Boilers Inc.

NTI Boilers Inc. 30 Stonegate Drive, Saint John, NB E2H 0A4 Canada

Technical Services: 1-800-688-2575 Fax: 1-506-432-1135 Web: [http:// www.ntiboilers.com](http://www.ntiboilers.com)

NTI Boilers Inc. reserves the right to change these specifications without notice