



# Trinity Lx400 High Efficiency Gas-Fired Condensing Boiler

## Submittal Sheet

Section 1 - Specifications  
Section 2 - Dimensions  
Section 3 - Electrical

Project Name: \_\_\_\_\_ Date: \_\_\_\_\_  
 Location: \_\_\_\_\_  
 Engineer: \_\_\_\_\_  
 Contractor: \_\_\_\_\_ Rep: \_\_\_\_\_

### 1 SPECIFICATIONS

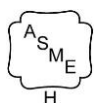
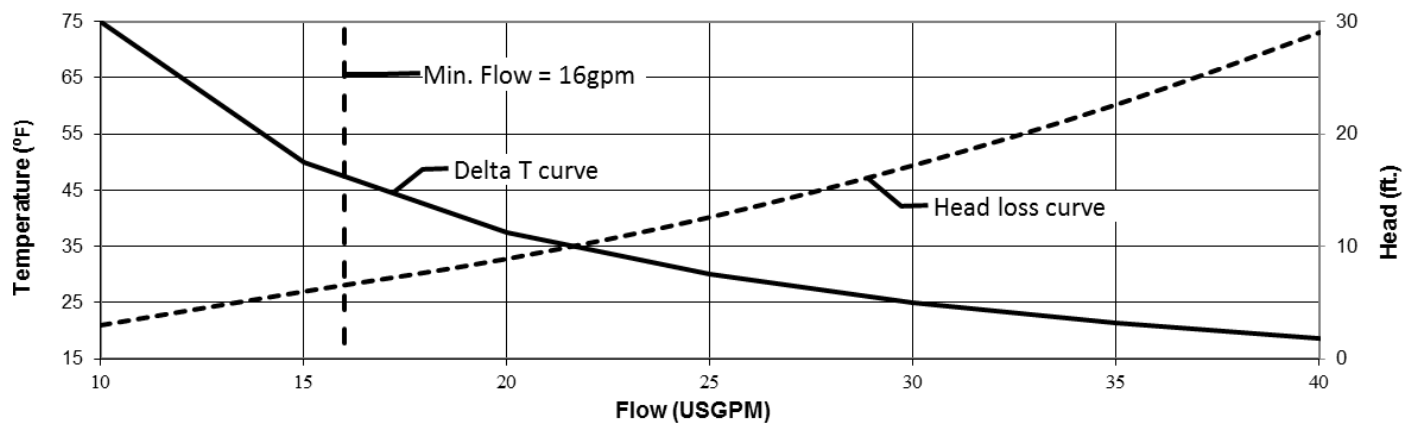
#### General Specifications

- ▶ Product Features
  - Certified to ANSI Z21.13 / CSA 4.9 Gas-fired Boiler Standard
  - ASME "H" stamped boiler, designed and constructed in compliance with the ASME Boiler and Pressure Vessel Code Section IV
  - SA-249 TP316L Stainless Steel Heat Exchanger
  - Maximum operating pressure 145 psi [1000 kPa]
  - Field conversion from Natural Gas (factory) to Propane
  - Modulating burner, 5.3:1 turndown
  - Direct Spark Ignition
  - Wall or floor mounting
  - Zero clearance to combustibles (clearances required for service)
- ▶ Optional Side Wall Vent Terminal Kit (NTI Part # 84355 & 84358)
- ▶ Factory Supplied Items
  - 10k Outdoor Sensor (System Sensor optional)
  - 1 – 500ml bottle Fernox F1 Protector
  - 30 PSI ASME Relief Valve
  - Pressure/Temperature Gauge
- ▶ Control Features
  - Integral microprocessor safety control
  - 2 central heat inputs (high & low temperature)
  - Domestic Hot Water Priority
  - Outdoor reset
  - Warm weather shutdown
  - Lead-Lag up to 8 Lx series boilers
  - Integrated Modbus RTU for connection to BMS gateways

Water Connections NPT, in.	Gas Connection NPT, in.	Vent/Air-inlet Pipe Diameter, in.	Vent/Air-inlet Max. Length, NG/LP, ft.	Approx. Weight with Water, lb.
1-1/4 (Female)	3/4 (Female)	4	100	225

#### Performance Specifications

Input Modulation, MBH	DOE Heating Capacity, MBH	Net I=B=R Rating, MBH	Combustion Efficiency, %	Thermal Efficiency, %
75 – 399	375	326	95	94



NY Thermal Inc.

30 Stonegate Dr., Saint John, NB E2H 0A4 Canada

2017-12-01  
Rev.7

Technical Service: 1-800-688-2575 Fax: 1-506-432-1135 Web: <http://www.ntiboilers.com>

NY Thermal Inc. reserves the right to change these specifications without notice

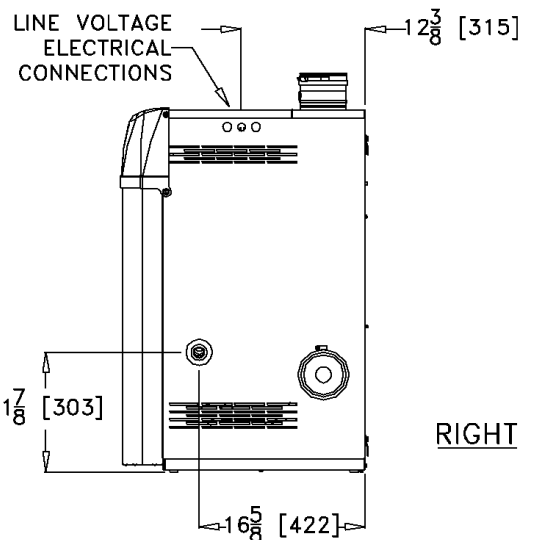
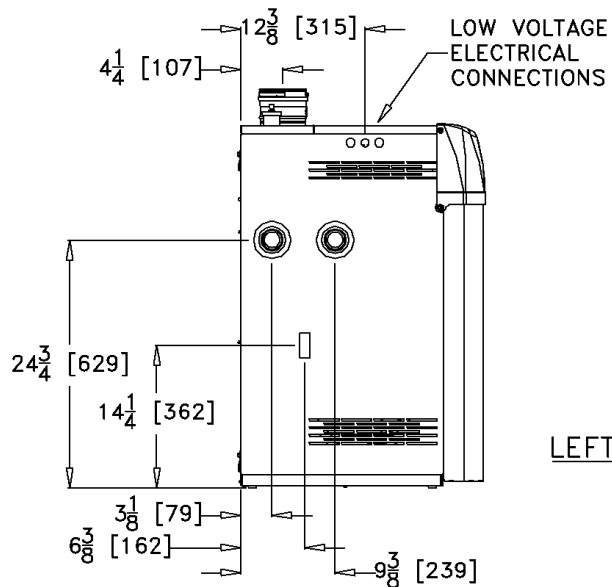
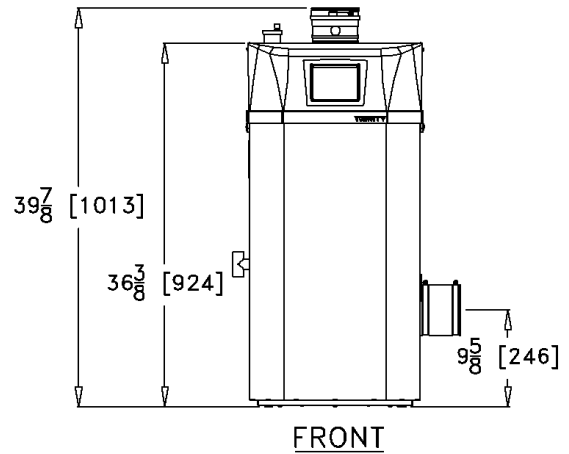
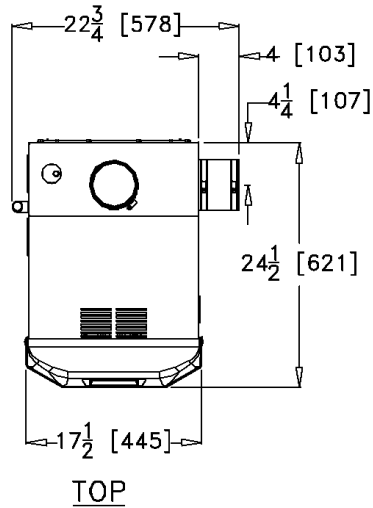


# Trinity Lx400 High Efficiency Gas-Fired Condensing Boiler

## Submittal Sheet

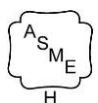
### 2 DIMENSIONS

#### Product Dimensions – in. [mm]



#### Recommended Clearances – in. [mm]

Top	Front	Left	Right	Back	Bottom
24 [610]	24 [610]	24 [610]	12 [305]	0	0



NY Thermal Inc.

30 Stonegate Dr., Saint John, NB E2H 0A4 Canada

Technical Service: 1-800-688-2575 Fax: 1-506-432-1135 Web: <http://www.ntiboilers.com>

NY Thermal Inc. reserves the right to change these specifications without notice



# Trinity Lx400 High Efficiency Gas-Fired Condensing Boiler

## Submittal Sheet

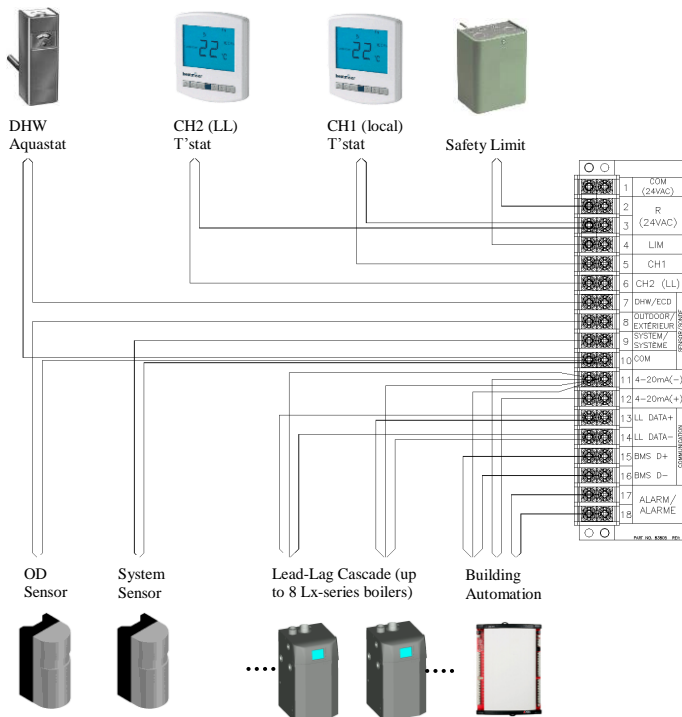
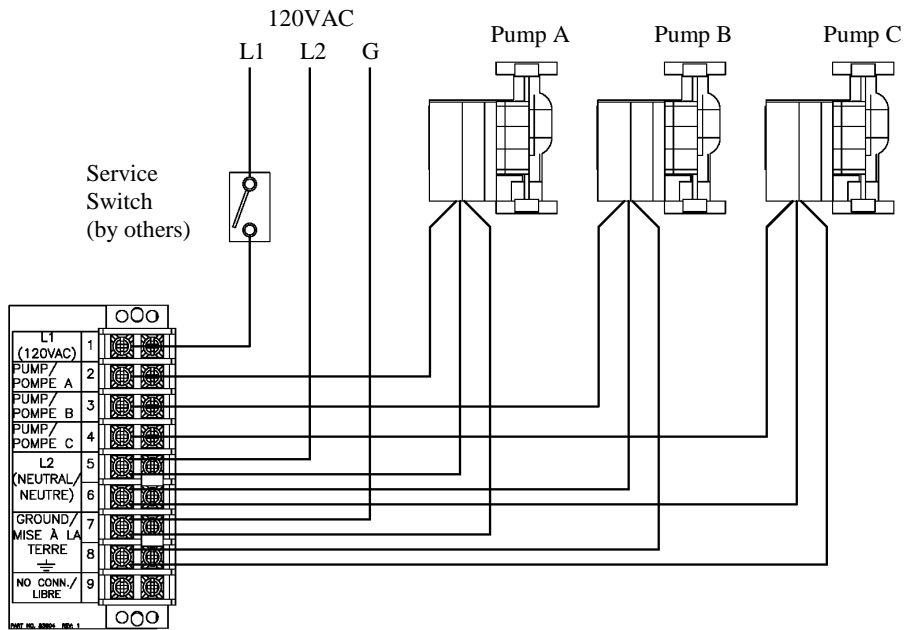
### 3 ELECTRICAL

#### Simplified Wiring Diagrams

##### Line Voltage Electrical:

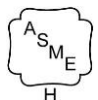
- ▶ 120VAC / 60 Hz / 1 Phase / 12 Amp
- ▶ Barrier Strip for field wiring terminations
- ▶ 3 Pump outputs
  - Indirect Domestic Hot Water (Pump A)
  - Boiler (Pump B)
  - Central Heat (Pump C)

Note: Pumps are field supplied.



##### Low Voltage Electrical:

- ▶ Barrier Strip for field wiring terminations
- ▶ 120/24 VAC Transformer 40VA (factory supplied)
- ▶ Inputs
  - CH1 thermostat (by others)
  - CH2 thermostat (by others)
  - Indirect DHW aquastat (by others) or DHW Tank sensor (factory option)
  - External Limit (by others)
  - Outdoor sensor (factory supplied)
  - System sensor (factory option)
  - 4-20mA external modulating control (by others)
- ▶ Outputs
  - Alarm dry contact (24VAC 0.63A max.)
- ▶ EIA-485 Modbus communications for Lead-Lag
- ▶ EIA-485 Modbus to BMS gateways (not shown). Optional available gateways:
  - BACnet/N2- NTI part # 84946
  - LonWorks- NTI part # 84947



NY Thermal Inc.

30 Stonegate Dr., Saint John, NB E2H 0A4 Canada

Technical Service: 1-800-688-2575 Fax: 1-506-432-1135 Web: <http://www.ntiboilers.com>

NY Thermal Inc. reserves the right to change these specifications without notice