



November 7, 2013

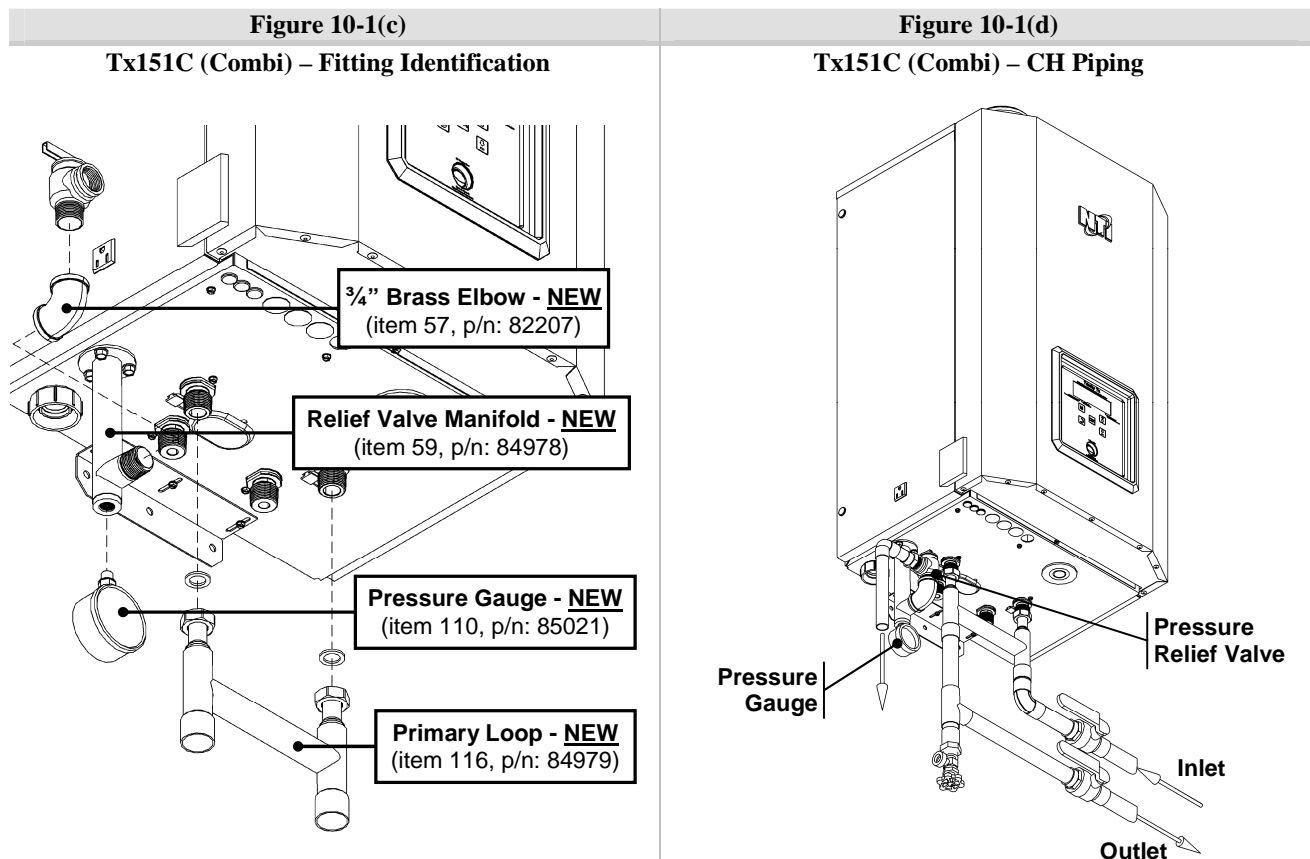
TECHNICAL BULLETIN – Notice of Change to Internal Piping for Tx Boilers:

Boiler Model: Tx51-151, Tx151C
Boiler Serial Number: 72000 (and greater)

Trinity boiler models Tx51-151 and Tx151C, with a serial number of 72000 and greater, are equipped with heat exchangers with slightly larger inlet and outlet water connections than earlier models. As a result, the internal water piping, and associated O-rings and retaining clips, have been modified to accommodate this change. In addition, a water connection has been added to the bottom of Tx151C models, to allow direct connection of the pressure relief valve and pressure gauge; they are no longer connected to the factory supplied “low loss header”.

Please update your Tx Installation and Operation Manual (dated prior to 2013-11-04) with the information provided in this bulletin:

Near Boiler Piping Change (model Tx151C) – page 39 of Installation and Operation Manual



Parts List Change (all models) – page 77-79 of Installation and Operation Manual

Table 19-1 Parts List: Tx Series

Item	Part #	Description
16	84733 (old)	O-ring (small), Boiler Inlet/Outlet, 2.76 x 17.72 (Tx51 – pre s/n 72000)
16	84735 (old)	O-ring (medium), Boiler Inlet/Outlet, 3.2 x 19 (Tx81-151 & Tx151C – pre s/n 72000)
16	84976	O-ring, Boiler Inlet/Outlet (all Tx models post s/n 72000)
17	84732 (old)	Retaining Clip – Boiler Outlet/Inlet Pipe, 18mm (Tx51 – pre s/n 72000)
17	84734 (old)	Retaining Clip – Boiler Outlet/Inlet Pipe, 19mm (Tx81-151, Tx151C – pre s/n 72000)
17	84975	Retaining Clip – Boiler Outlet/Inlet Pipe, 25mm (all Tx models post s/n 72000)
18	84809 (old)	Outlet Pipe, 18mm (Tx51 – pre s/n 72000)
18	84806 (old)	Outlet Pipe, 19mm (Tx81-151 – pre s/n 72000)
18	84972	Outlet Pipe, 25mm (Tx51-151 – post s/n 72000)
18	84804 (old)	Outlet Pipe, Combi (Tx151C – pre s/n 72000)
18	84970	Outlet Pipe, Combi (Tx151C – post s/n 72000)
21	84810 (old)	Inlet Pipe, 18mm (Tx51 – pre s/n 72000)
21	84974	Inlet Pipe, 25mm (Tx51 – post s/n 72000)
21	84807 (old)	Inlet Pipe, 19mm (Tx81-151 – pre s/n 72000)
21	84973	Inlet Pipe, 25mm (Tx81-151 – post s/n 72000)
21	84805 (old)	Inlet Pipe, Combi, 19mm (Tx151C – pre s/n 72000)
21	84971	Inlet Pipe, Combi, 25mm (Tx151C – post s/n 72000)
26	84673 (old)	Heat Exchanger, ASME 2+1 (Tx51 – pre s/n 72000)
26	85022	Heat Exchanger, ASME 2+1 (Tx51 – post s/n 72000)
26	84674 (old)	Heat Exchanger, ASME 3+1 (Tx81 – pre s/n 72000)
26	85023	Heat Exchanger, ASME 3+1 (Tx81 – post s/n 72000)
26	84675 (old)	Heat Exchanger, ASME 4+1 (Tx101 – pre s/n 72000)
26	85024	Heat Exchanger, ASME 4+1 (Tx101 – post s/n 72000)
26	84676 (old)	Heat Exchanger, ASME 5+1 (Tx151 & Tx151C – pre s/n 72000)
26	85025	Heat Exchanger, ASME 5+1 (Tx151 & Tx151C – post s/n 72000)
57	84479	Elbow, Street, Brass, ¾ (Tx51-151)
57	82207	Elbow, Brass, ¾" NPT (Tx151C – post s/n 72000)
59	82759	Tee, Brass, 1 x 1 x ¾" (Tx51-151)
59	84978	Relief Valve Manifold (Tx151C – post s/n 72000)
110	84090	Pressure Gauge, Bottom Stem Mount, 60psi (Tx51-151)
110	84859 (old)	Pressure Gauge, Back Mount, 60psi (Tx151C – pre s/n 72000)
110	85021	Pressure Gauge, Top Stem Mount, 60psi (Tx151C – post s/n 72000)
116	84808 (old)	Low Loss Header Pipe, FIDT (Tx151C – pre s/n 72000)
116	84979	Low Loss Header Pipe, FIDT (Tx151C – post s/n 72000)