

NTI FLOOR STAND (84624 & 84630) INSTALLATION INSTRUCTIONS



NY Thermal Inc.
30 Stonegate Dr.
Saint John, NB
E2H 0A4 Canada
Technical Assistance:
1-800-688-2575
Fax: 1-506-432-1135
www.nythermal.com

Version Date: 2015-03-16

APPLICABLE MODELS:

84624 – Floor Stand Tft300-399/VM110P

- Intended for use with Tft300-399 & VM110P boiler models; can be used with Tft60-250 & VM110
- DO NOT use with Tx51-200 boiler models

84630 – Floor Stand Tx51-200/Tft60-250/VM110

- Intended for use with Tft60-250, Tx51-200 & VM110 boiler models
- DO NOT use with Tft300-399 & VM110P boiler models



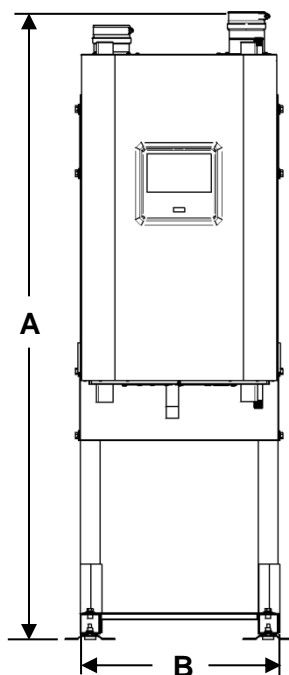
Floor Stand P/N 84630 is not to be used with Tft300-399 & VM110P boiler models. Failure to comply may lead to serious injury or property damage.

Introduction

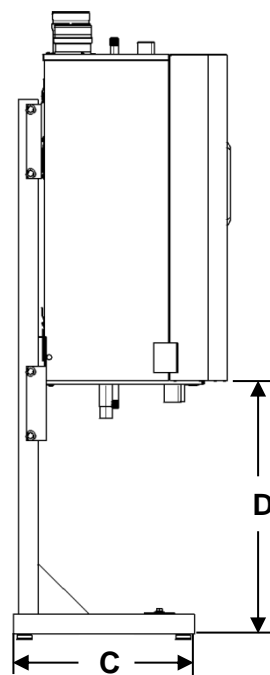
The Floor Stand included in this kit is intended for use with the NTI Trinity boiler models listed above; it is **NOT** intended for use with other boiler models – Trinity or otherwise. It is the installer's responsibility to ensure the Floor Stand is assembled, and the boiler is mounted, in accordance with these instructions, and the Installation and Operation Instruction included with the boiler. Check Floor Stand kit contents to ensure all components are included, prior to commencing assembly. Contact NTI if assistance is required.

Overall Assembled Dimensions

FRONT VIEW



SIDE VIEW



Model	Dimensions ¹		
	A	C	D
Tft60-110	63-1/2	18-1/4	25-3/4
Tft155-250	63	18-1/4	25-3/4
Tft300-399	63-1/4	18-1/4	23-1/8
VM110	63-1/4	18-1/4	22-1/2
VM110P	63	18-1/4	18-3/4
Tx51-200	65	18-1/4	27-3/4

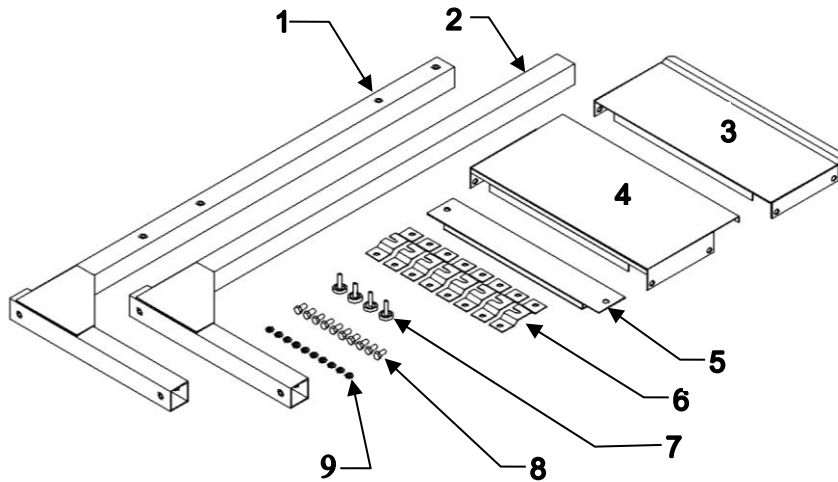
Notes:

¹ All dimensions are in inches.

² Dimension **B** is dictated by the width of the stand;

- P/N 84624 Tft300-399 & VM110P = 26"
- P/N 84630 Tft60-250, Tx51-200 & VM110 = 20"

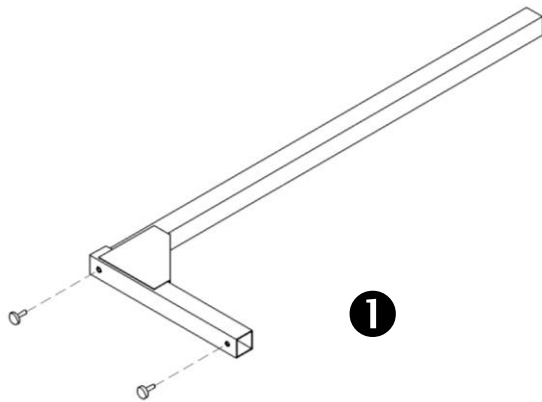
Kit Contents



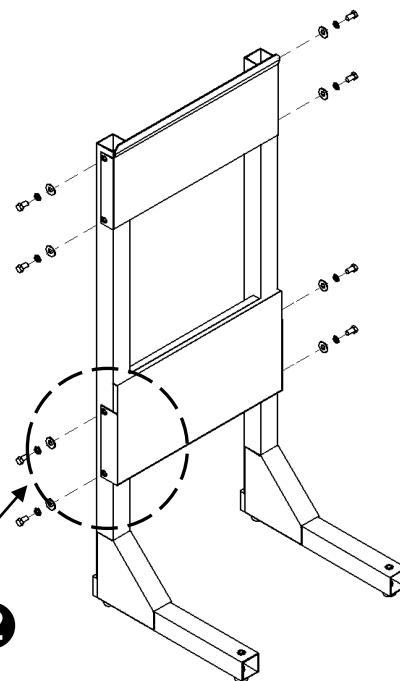
No. Item Description

- 1. Left Rail
- 2. Right Rail
- 3. Top Cross Member
- 4. Middle Cross Member
- 5. Bottom Cross member
- 6. Floor Anchor Brackets x 8
- 7. Leveling Legs x 4
- 8. 3/8" x 3/4" Bolts x10
- 9. 3/8" Split-lock Washers x 10
- 10. #14 x 3/4" Drill-point screws x 2 (not shown)

Assembly Instructions (Steps 1-5)

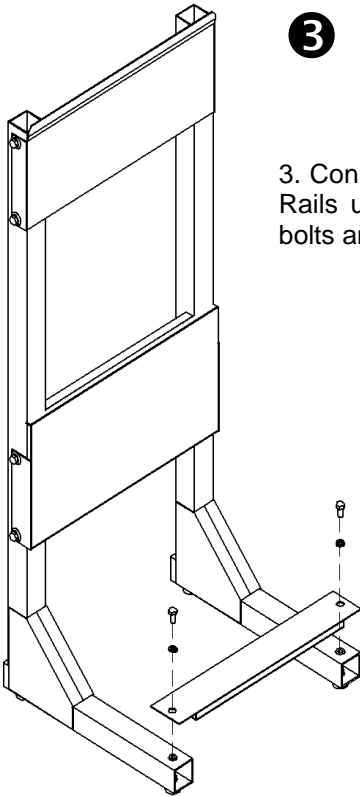


1. Install Leveling Legs into the bottom of the Right and Left Rails. Leave a minimum of 1/2" of the Leveling leg exposed for attaching floor anchors in step 5.

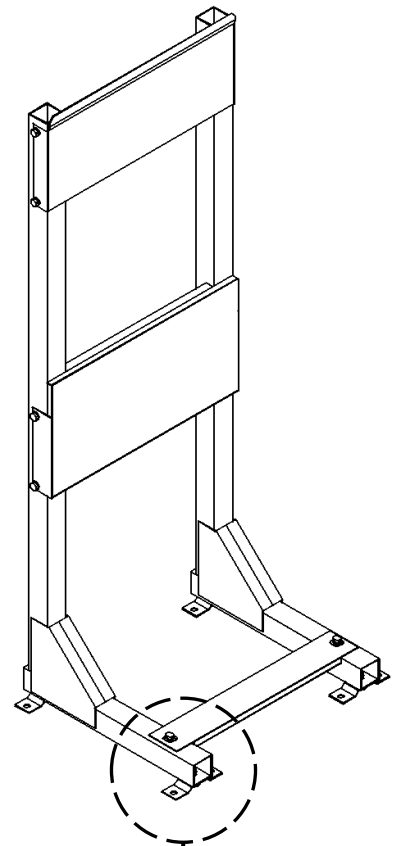


2. Connect the Top and Middle Cross Members to the Rails using eight (8) of the 3/8" x 3/4" bolts and 3/8" Split-lock Washers.

NOTE: Use the bottom 2 holes for Middle Cross Member when assembling Floor Stand (P/N 84624) for use with VM110P ONLY

**3**

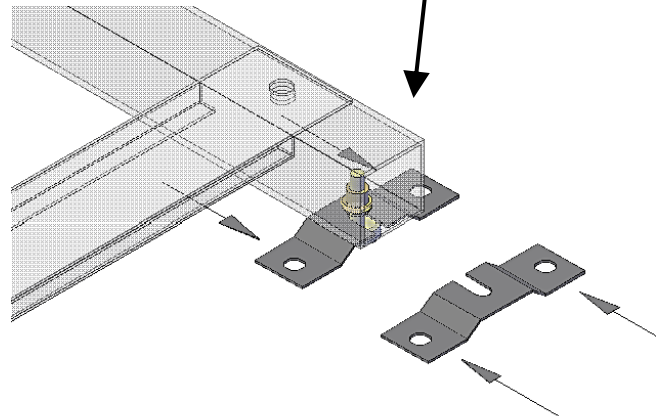
3. Connect the Bottom Cross Member to the Rails using the remaining two - 3/8" x 3/4" bolts and 3/8" Split-lock Washers.

**4**

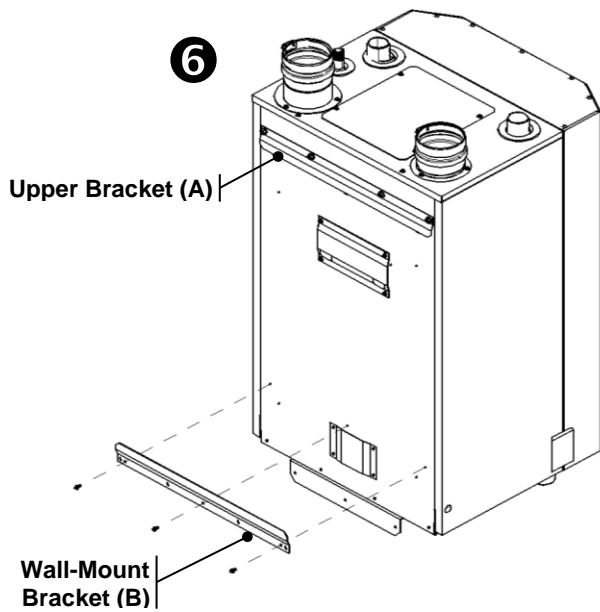
4. Tighten all the bolts; position the stand in its final location. Using a level, adjust the 4 Leveling Legs to attain a level stand from front-to-back and side-to-side.

5

5. Overlap the Floor Anchor Brackets on the Leveling leg as shown with the 'U' cuts facing each other. Fasten the Floor Anchor Brackets to the floor using field supplied anchors. Perform this exact process to each leveling leg.

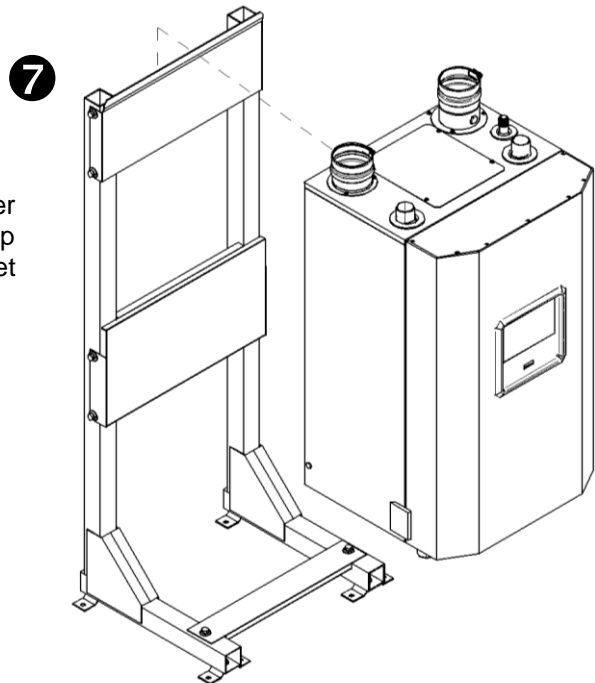


Boiler Mounting Instructions (Steps 6-10)

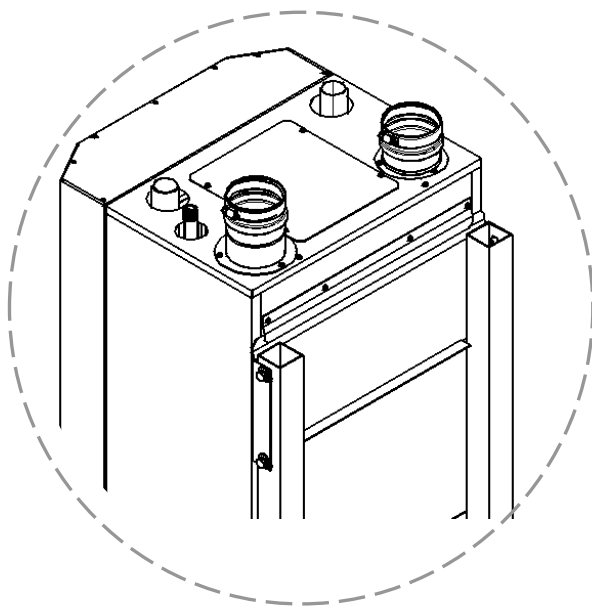


6. Remove the Wall-Mount Bracket (B) from the back of the boiler and discard; keep the screws for use in step 8. Upper Bracket (A) remains on the boiler.

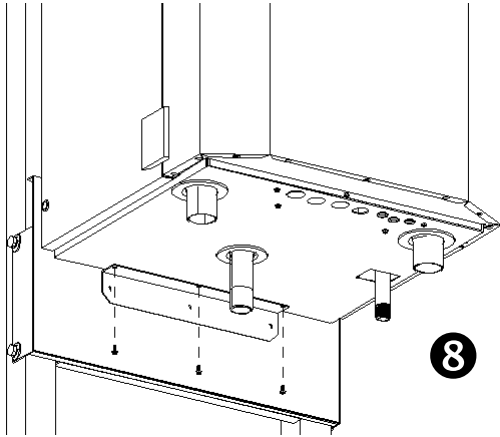
7. With the help of an assistant, hook the Upper Bracket (A), mounted to the boiler, onto the Top Cross Member of Floor Stand – ensure the bracket fully engages. See Reverse View.



Reverse View (Step 7)

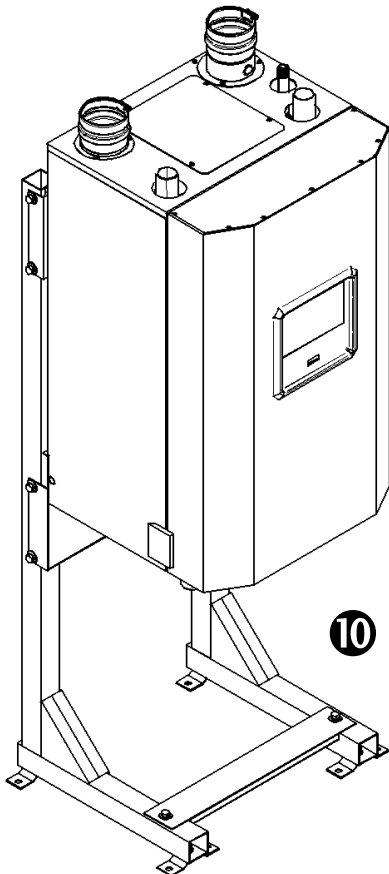
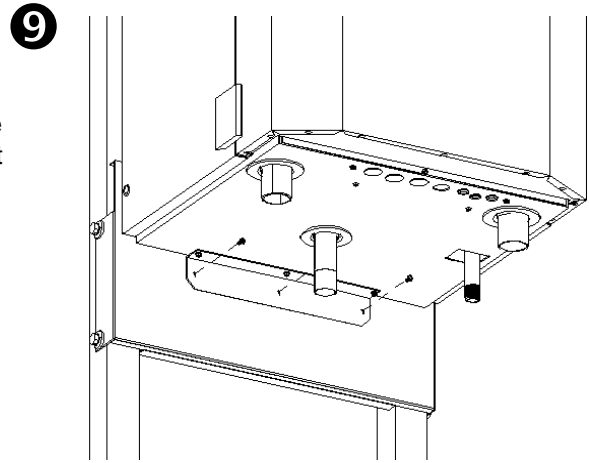


Upper bracket (A) hooked over Top Cross Member



8. Fasten the Boiler Support Bracket to the bottom of the boiler using the screws removed in step 6. Before tightening, ensure the boiler is plumb.

9. Secure the Boiler Support Bracket to the Middle Cross Member using #14 x 3/4" drill-point screws.



10. Check to ensure the boiler is level – correct if necessary using Leveling Legs. Proceed with the boiler installation – see detailed Installation Instruction provided with the boiler.

Supplemental Instructions for NTI – Floor Stand Twinning Kit (P/N 85063)

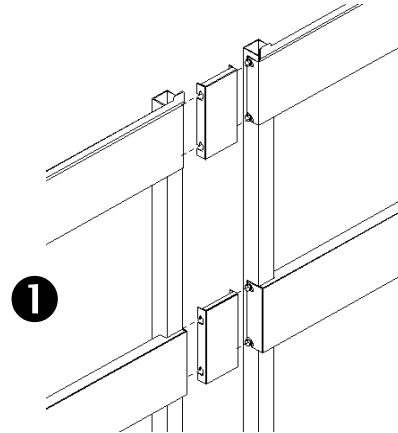
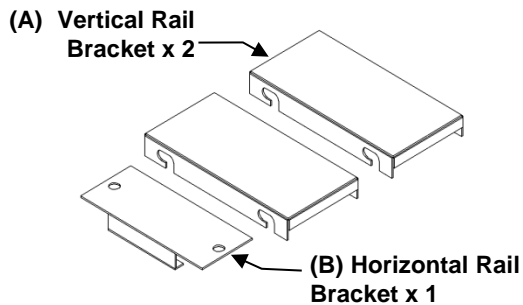
NTI's Floor Stand Twinning Kit is designed to connect NTI Floor Stands together, side by side and provide the required boiler spacing for correct installation of the Trinity Tft – Common Vent System. One Twinning Kit is needed to connect two (2) Floor Stands together; additional Twinning Kits are required to connect additional Floor Stands together (e.g. two Twinning Kits for three Floor Stands)



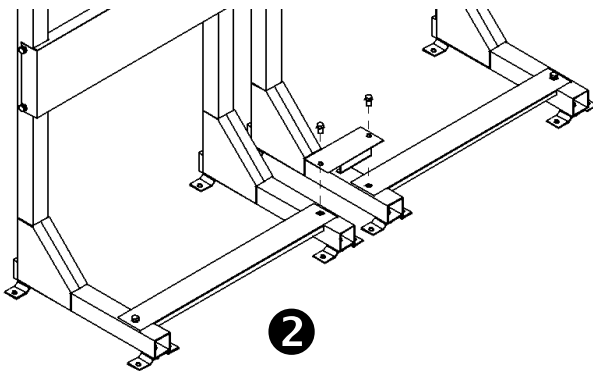
WARNING

When connecting Floor Stands together, using the Twinning Kit, do so prior to installing the boiler on the Floor Stands. Failure to follow this warning may result in serious injury or property damage.

Twinning Kit Contents



1). Loosen (DO NOT Remove) the bolts on the Top and Middle Cross Members. Slide Vertical Rail Bracket (A) over the loose bolts then tighten.



2. Remove bolts and split-lock washers from the Bottom Cross Member. Place the Horizontal Rail Bracket (B) over the holes and reinstall the bolt and Split-lock Washers.

3. Check to ensure the stands are level – correct if necessary using Leveling Legs. Proceed with the boiler installation – see detailed Installation Instructions provided with the boiler.

