



# Trinity Tft154 High Efficiency Gas-Fired Condensing Boiler

## Submittal Sheet

Section 1 - Specifications  
Section 2 - Dimensions  
Section 3 - Electrical

Project Name: \_\_\_\_\_ Date: \_\_\_\_\_  
 Location: \_\_\_\_\_  
 Engineer: \_\_\_\_\_  
 Contractor: \_\_\_\_\_ Rep: \_\_\_\_\_

### 1 SPECIFICATIONS

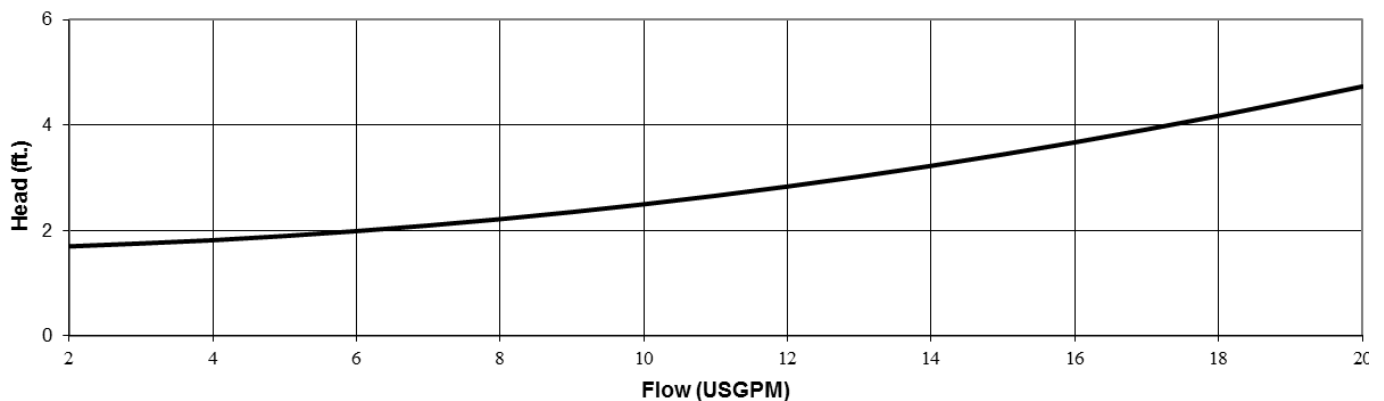
#### General Specifications

- ▶ Product Features
  - Certified to ANSI Z21.13 / CSA 4.9 Gas-fired Boiler Standard
  - ASME "H" stamped boiler, designed and constructed in compliance with the ASME Boiler and Pressure Vessel Code Section IV
  - SA240-S43932 Stainless Steel Heat Exchanger
  - Maximum operating pressure 30 psi
  - Field conversion from Natural Gas (factory) to Propane
  - Modulating burner, 10:1 turndown
  - Direct Spark Ignition
  - Wall (standard) or floor mounting (w/ opt. kit, NTI part # 84630)
  - Zero clearance to combustibles (clearances required for service)
- ▶ Optional Side Wall Vent Terminal Kit (NTI Part # 85062, 84357 & 82666)
- ▶ Factory Supplied Items
  - 10k Outdoor sensor (System sensor optional)
  - 30PSI ASME Pressure Relief Valve
  - Pressure/Temperature Gauge
- ▶ Control Features
  - Integral microprocessor safety control
  - 2 central heat inputs (high & low temperature)
  - Domestic Hot Water Priority
  - Outdoor reset
  - Warm weather shutdown
  - Lead-Lag up to 8 Tft series boilers
  - Integrated Modbus RTU for connection to BMS gateways

Water Connections NPT, in.	Gas Connection NPT, in.	Vent/Air-inlet Pipe Diameter, in.	Vent/Air-inlet Max. Length, ft.	Approx. Weight with Water lb.
1 (Male)	½ (Male)	3	150	180

#### Performance Specifications

Input Modulation, MBH	DOE Heating Capacity, MBH	Net I=B=R Rating, MBH	AFUE, %
15.4 - 154	141	122	95



NY Thermal Inc.

30 Stonegate Dr., Saint John, NB E2H 0A4 Canada

Technical Service: 1-800-688-2575 Fax: 1-506-432-1135 Web: [http:// www.ntiboilers.com](http://www.ntiboilers.com)

NY Thermal Inc. reserves the right to change these specifications without notice

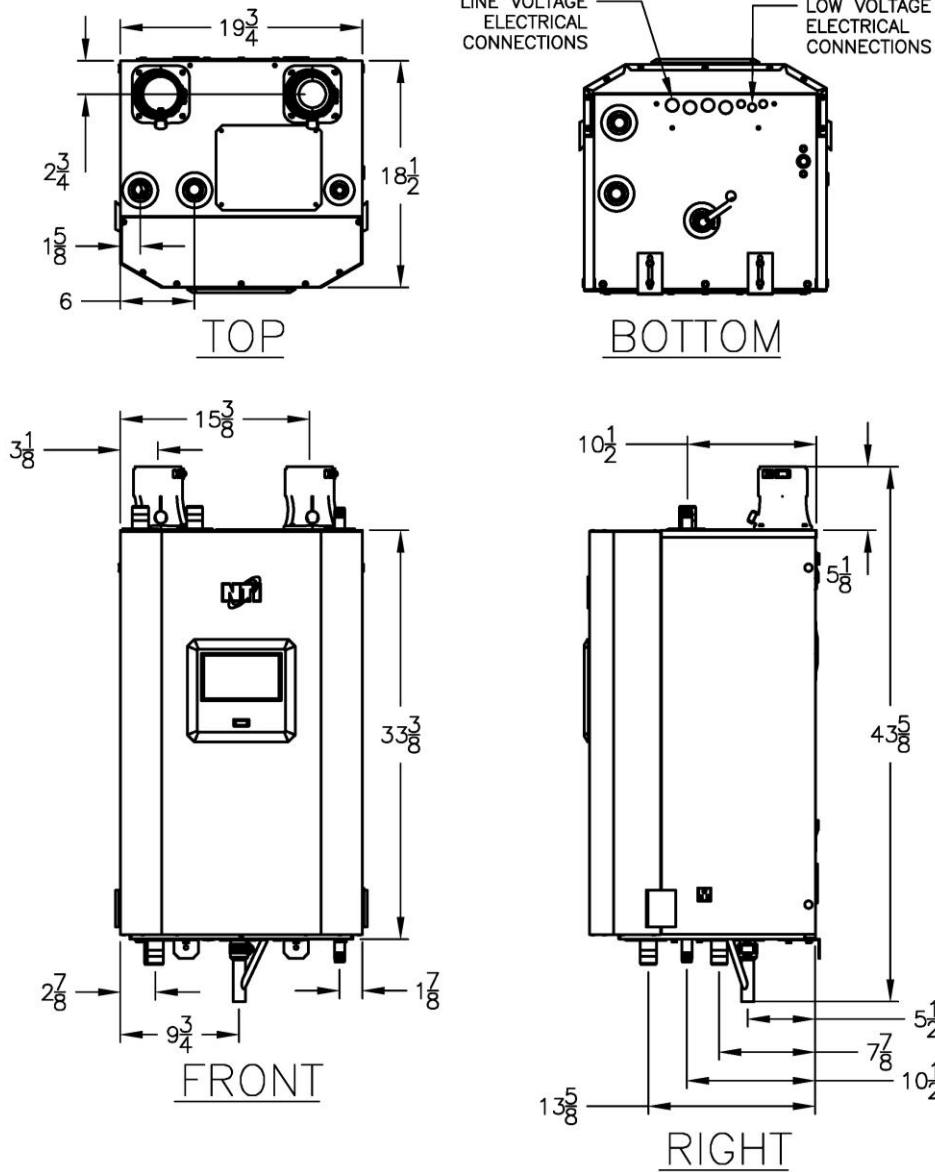


# Trinity Tft154 High Efficiency Gas-Fired Condensing Boiler

Submittal Sheet

## 2 DIMENSIONS

Product Dimensions – in.



## Recommended Clearances – in. [mm]

Front	Top	Sides	Back	Bottom	Flue Pipe
36 [914]	24 [610]	12 [305]	0	24 [610]	1 [25]



NY Thermal Inc.

30 Stonegate Dr., Saint John, NB E2H 0A4 Canada

Technical Service: 1-800-688-2575 Fax: 1-506-432-1135 Web: [http:// www.ntiboilers.com](http://www.ntiboilers.com)

NY Thermal Inc. reserves the right to change these specifications without notice



# Trinity Tft154 High Efficiency Gas-Fired Condensing Boiler

## Submittal Sheet

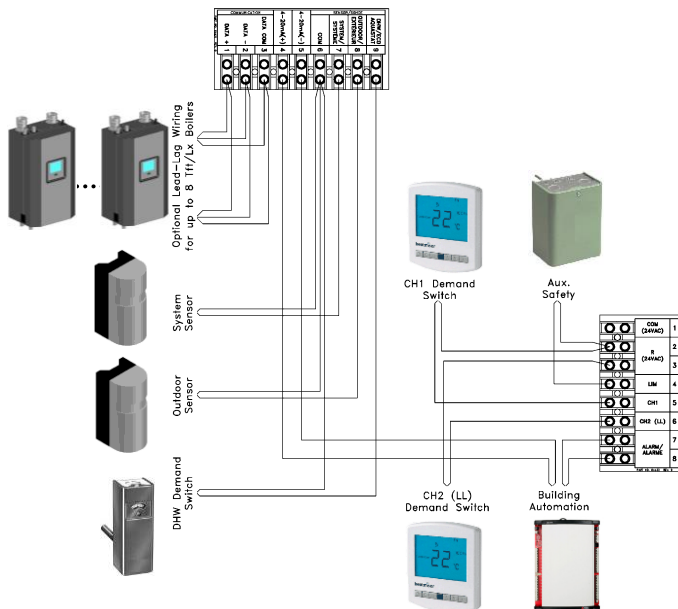
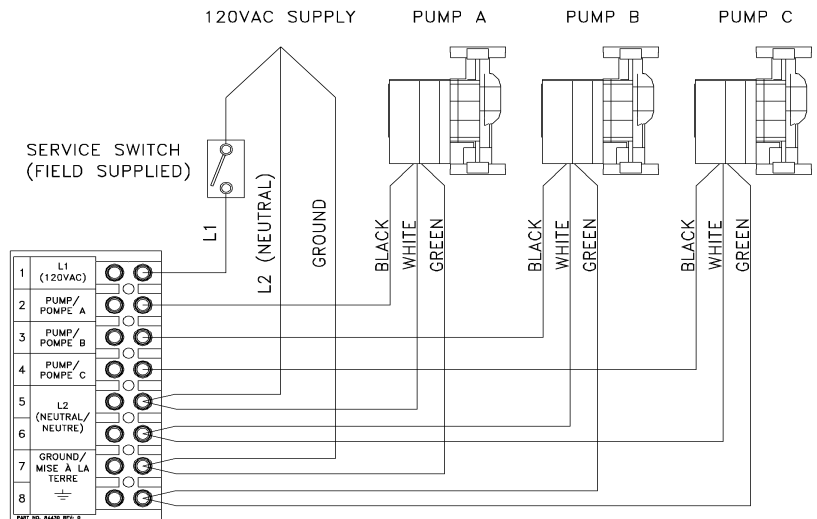
### 3 ELECTRICAL

#### Simplified Wiring Diagrams

##### Line Voltage Electrical:

- ▶ 120VAC / 60 Hz / 1 Phase / 12 Amp
- ▶ Barrier Strip for field wiring terminations
- ▶ 3 Pump outputs
  - Indirect Domestic Hot Water (Pump A)
  - Boiler (Pump B)
  - Central Heat (Pump C)

Note: Pumps are field supplied.



##### Low Voltage Electrical:

- ▶ Barrier Strip for field wiring terminations
- ▶ 120/24 VAC Transformer 40VA (factory supplied)
- ▶ Inputs
  - CH1 thermostat (by others)
  - CH2 thermostat (by others)
  - Indirect DHW aquastat (by others) or DHW Tank sensor (factory option)
  - External Limit (by others)
  - Outdoor sensor (factory supplied)
  - System sensor (factory option)
  - 4-20mA external modulating control (by others)
- ▶ Outputs
  - Alarm dry contact (24VAC 0.63A max.)
- ▶ EIA-485 Modbus communications for Lead-Lag
- ▶ EIA-485 Modbus to BMS gateways (not shown). Optional available gateways:
  - BACnet/N2- NTI part # 84946
  - LonWorks- NTI part # 84947



NY Thermal Inc.

30 Stonegate Dr., Saint John, NB E2H 0A4 Canada

Technical Service: 1-800-688-2575 Fax: 1-506-432-1135 Web: [http:// www.ntiboilers.com](http://www.ntiboilers.com)

NY Thermal Inc. reserves the right to change these specifications without notice